

# COOL-SPACE® 500

When you need maximum cooling coverage, trust the powerful performance of Cool-Space 500. Durably engineered with a portable design, quiet and efficient motor, and advanced controls for convenient, hands-free use, Cool-Space 500 delivers lasting comfort to large spaces both indoors and out. Backed by the industry's best warranty, it's the ultimate solution in evaporative cooling.



## KEY FEATURES

- ▶ Quickly cool indoor and outdoor spaces by up to 33 °F (18 °C)
- ▶ Ideal for large warehouses, service bays, and stadiums
- ▶ 8-inch (20-centimeter) resin-treated cooling media
- ▶ 50-inch (127-centimeter) fan diameter
- ▶ 64-gallon (242-liter) reservoir lasts up to 10 hours without hose connection
- ▶ Onboard LED control panel with occupancy sensor

### COVERAGE AREA

**UP TO 6,500 SQUARE FEET**  
(600 SQUARE METERS)

### AIRFLOW

**UP TO 24,000 CFM**

### CONTROL

**VARIABLE SPEED**

### VOLTAGE

**110 VAC  
OR  
230 VAC**



**BIG ASS FANS®**

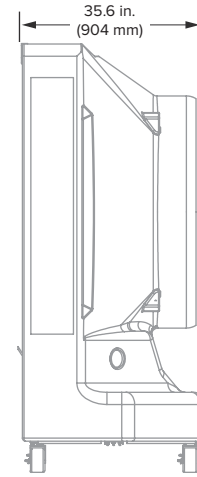
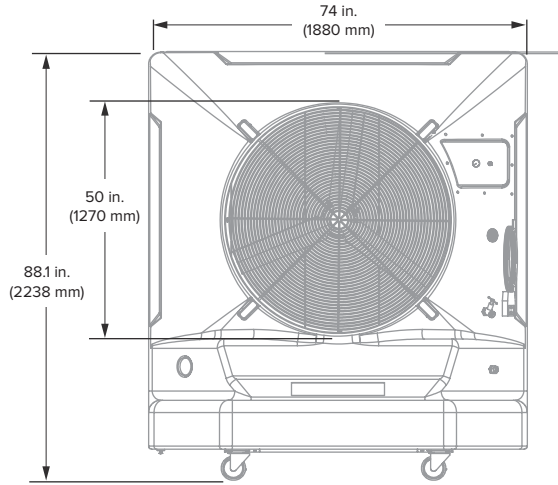
**EXCEPTIONALLY  
ENGINEERED**

## DISCOVER MORE ABOUT COOL-SPACE

Learn more at [bigassfans.com/evaporative-coolers](https://bigassfans.com/evaporative-coolers)  
or call **877.BIG.FANS** for a free custom quote.

# COOL-SPACE® 500

DELIVER COOLER CONDITIONS AT A MOMENT'S NOTICE



## Technical Specifications

Model	Ordering Information	Weight	Water Capacity	Inlet Water Supply Pressure	Input power and required breaker	Environment <sup>1</sup>	Amperage <sup>2</sup>	Airflow and Coverage	Sound Level <sup>3</sup>	Operating Temperature
Cool-Space 500	F-EV1-5001 F-EV1-5002	370 lb (167.8 kg)	64 gal (242 L)	120 PSI maximum	120 VAC, 60 Hz, 1Φ, 25 A 220/230 VAC, 50/60 Hz, 1Φ, 15 A	Well-ventilated Indoor or outdoor space	16.5 A 8.6 A	16,500–24,000 cfm 6,500 sq ft	60 dBA	0 to 104 °F (-18 to 40 °C)

## Construction

Housing	Motor	Controls	Power Supply	Water Supply	Cooling Media	Maintenance
UV-resistant roto-molded polyethylene housing Four locking swivel casters	Variable speed, high-efficiency, totally enclosed 1.5 hp (1.1 kW)	Remote control Onboard control panel Occupancy sensor	10 ft (3 m) power cord plugs into standard electrical outlet Cord wrap for easy storage	Accepts standard garden hose or portable supply tank Water level regulated by float valve Low-water shutoff for pump longevity	Made from 8 in. (203 mm) thick cross-corrugated formulated cellulose Treated with thermosetting resin for strength and prevention of algae	Accessible reservoir cap for convenient water treatment Drain plug and flush valve for water removal



## Control Options



Remote Control



Onboard Control Panel

## Onboard Control Indicators



Power Indicator



Low Water Indicator



Manual Fan Control



Occupancy Sensor



Manual Pump Control



Timer (15 Minutes)

<sup>1</sup> Not suitable for salt air environments.

<sup>2</sup> Maximum amperage includes both the fan and pump ratings.

<sup>3</sup> Fans are sound tested in a laboratory environment. Actual results in field conditions may vary due to sound reflecting surfaces and environmental conditions.

Lead times may vary. See full warranty for coverage information.



USA  
BIGASSFANS.COM  
877-244-3267

CANADA  
BIGASSFANS.COM  
844-924-4277

AUSTRALIA  
BIGASSFANS.COM/AU  
1300 244 277

SINGAPORE  
BIGASSFANS.COM/SG  
65 6709 8500

MALAYSIA  
BIGASSFANS.COM/SG  
603 5565 0888