



User's manual

Manual del usuario

Manuel de l'utilisateur

Customer Service  
US: 1-800-645-2986

Servicio de atención al Cliente  
US: 1-800-645-2986

Service à la clientèle  
Canada: 888-645-2986

# 24" Mobile Industrial Stand Fan

Models: 293116

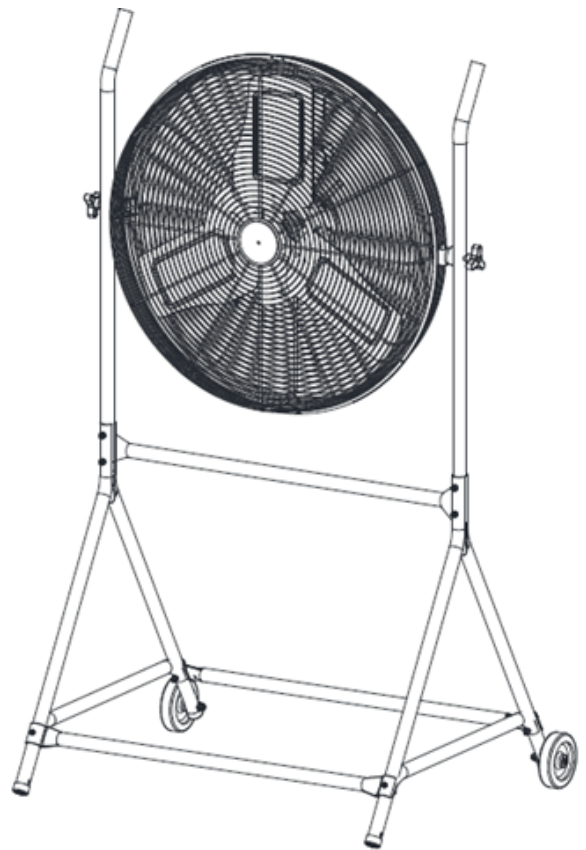
## IMPORTANT INSTRUCTIONS, SAVE FOR FUTURE REFERENCE

### CAUTION

Read and follow all instructions before operating fan. Do not use fan if any part is damaged or missing.

### WARNING

- To reduce the risk of fire or electrical shock, do not expose to water or rain.
- To reduce the risk of fire or electrical shock, do not use this fan with any solid state speed control device.
- Automatically operated device - To reduce the risk of injury, disconnect from power supply before servicing.
- If the power supply cord is damaged, contact your local service centre or a qualified electrician to install an appropriate replacement cord to prevent any injury or damage.
- The appliance does not apply to be used in locations where special conditions prevail, such as the presence of a corrosive or explosive atmosphere ( dust, vapour or gas ).
- This appliance is not intended for use by persons (including children) with reduced physical, sensory or mental capabilities, or lack of experience and knowledge, unless they have been given supervision or instruction concerning use of the appliance by a person responsible for their safety.
- Children should be supervised to ensure that they do not play with the appliance.



### RULES FOR SAFE OPERATION

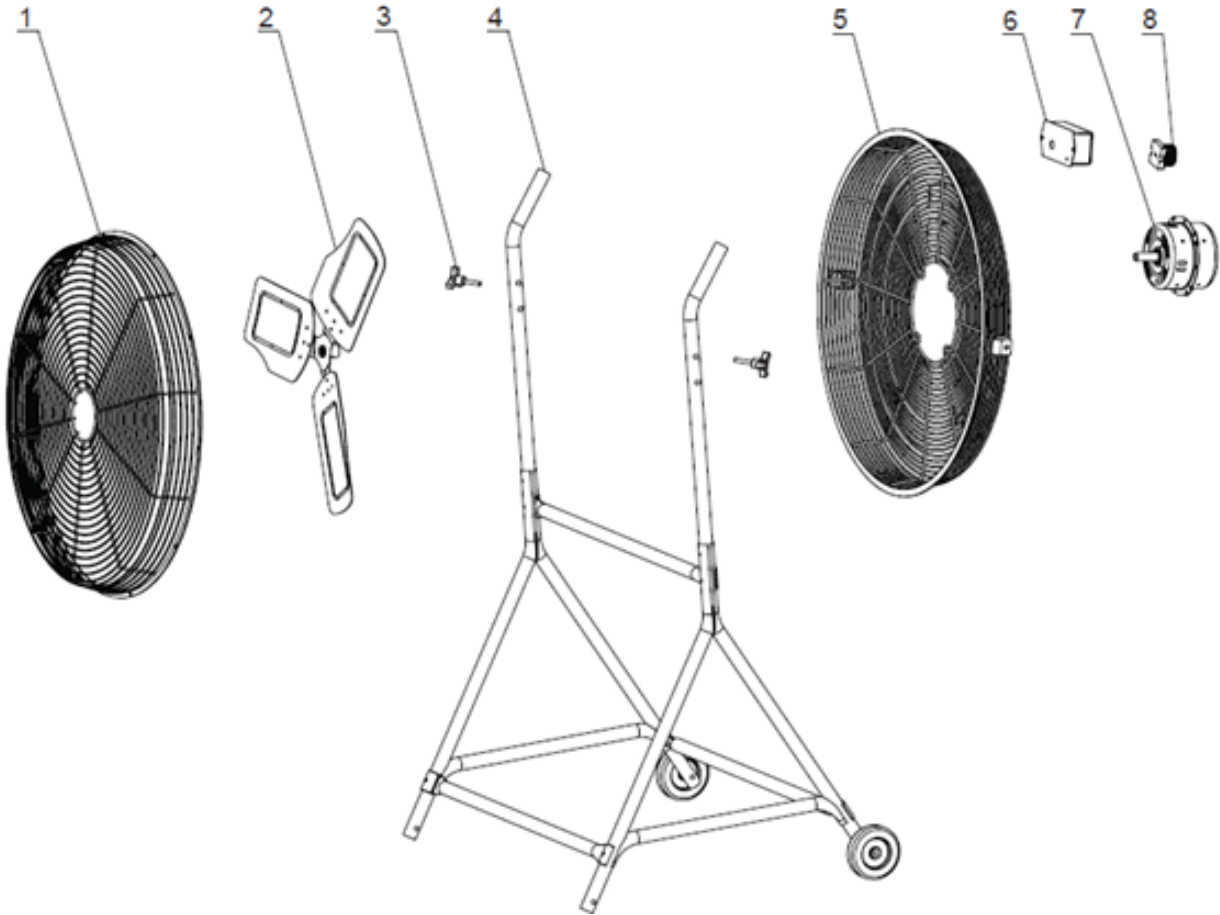
- Never insert fingers or any other objects through the grill guard when fan is in operation.
- Disconnect the fan from its power source when moving from one location to another.
- Disconnect the fan from its power source when removing guards for cleaning.
- Be sure fan is on a stable, flat surface when in operation.
- Do not use fan in windows. Rain and moisture may create electrical hazard. Close supervision is necessary when this fan is used near children, the elderly and pets.
- Do not place the fan near an open flame, cooking or heating appliance, or hot surface.
- This fan should not be operated outside.

**CAUTION:** Do not alter the fan's assembly.

**WARNING:** Be sure that both front and rear guard screws are completely tightened in locking position before operation.

# Mobile Industrial Stand Fan

## 1 Main Parts of Fan



### Parts List

PART NO.	DESCRIPTION	QTY
1	Front Guard	1
2	Blade	1
3	Triangular Hand Screw	1
4	Base Bracket	1
5	Rear Guard	1
6	Switch Box	1
7	Motor	1
8	Switch & Knob	1

# Mobile Industrial Stand Fan

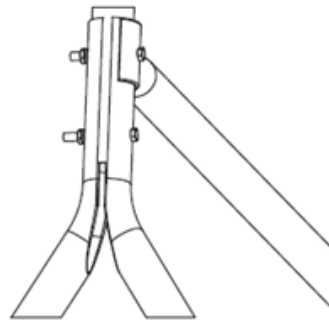
## 2 Assembly Instructions

1. Remove the parts from the box.
2. Place the fan head (motor and guard assembly) on a flat level surface with motor on the top side.
3. Assemble two angled legs to one upright with bolt and nut through lower hole as shown in Figure 1. Make sure the handle and the leg with a hole through the side are facing the same direction. This will ensure that the wheels and handle will be to the rear of the assembly. Repeat these steps for the other leg assembly.
4. Secure assemblies together with one cross-member as shown in Figure 2. Place cross-member on front side of assemblies and secure each with a nut and bolt through the top hole in the assemblies. Make certain that both handles are facing away from the cross-member.

Figure 1



Figure 2



5. As shown in Figure 3, align a double angled cross-member at the base of one leg angle. Align a straight cross member to the front leg assembly with a bolt and through the cross member, the leg assembly, and the double angled cross-member. Secure with nut. Repeat at rear and on both sides of the opposite leg.

6. Place rubber flanges between fan head and mounting frame. Secure fan head to assemble with tilting knobs. (See Figure 4)

Figure 3

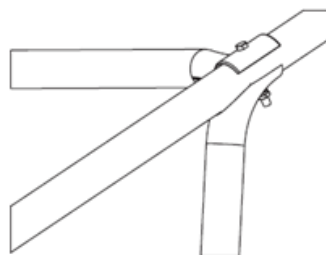
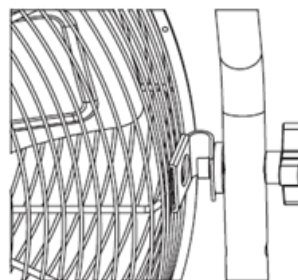
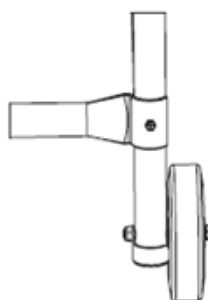


Figure 4



7. Attach wheels to frame with bolts and nuts and tighten. (See Figure 5)

Figure 5



# Mobile Industrial Stand Fan

## 3 Operating Instructions

To avoid the possibility of overturning the fan, operate on a stable, level surface. Do not move fan while it is in operation.

Make sure unit's speed selector switch is in the off position before plugging into wall outlet.

Connect power to grounded three prong outlet.

Units are operated, or speeds are selected using the rotary switch located on back of motor.

When changing the tilt angle of the fan head, make sure the unit's selector switch is in the off position. Loosen tilting knobs on both sides of the fan head. Tilt the fan head to the desired position and tighten the tilting knobs to lock in place.

## 4 Maintenance



### Warning

Do not depend on any switch as the sole means of disconnecting power when installing or servicing the fan. If the power disconnect is out-of-sight, lock it in the open position and tag to prevent application of power. Failure to do so may result in fatal electrical shock.



### Warning

Unplug the appliance before cleaning. Don't use any water for cleaning metal surfaces.

Fan motor bearings should be lubricated with (6) drops of SAE #20 non-detergent oil twice a year to prevent bearing failure. Place the drops in the ports shown in Figures 6 and 7.

Figure 6

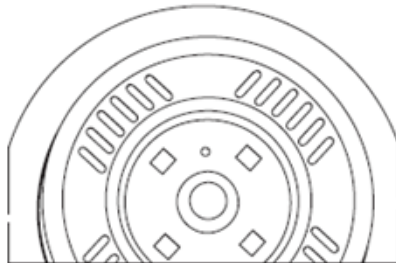
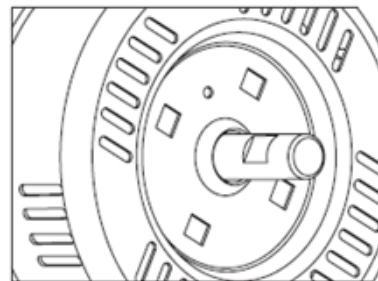


Figure 7



1. Slightly moisten a cloth and then wipe off the surfaces of the fan. In order to remove dust from the grill, use a vacuum cleaner or remove the front grill by removing the securing screws on the edge of the grill.
2. After cleaning, remount the grill.
3. Fasten the screws on the edge of the grill.