



User's manual

Manual del usuario

Manuel de l'utilisateur

Customer Service  
US: 1-800-645-2986

Servicio de atención al Cliente  
US: 1-800-645-2986

Service à la clientèle  
Canada: 888-645-2986

# 30" High Velocity Tilt Floor Fan

Model: 293115

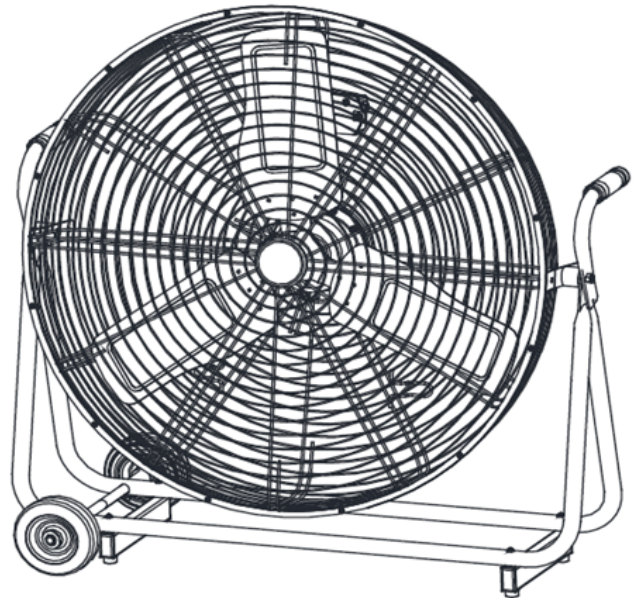
## IMPORTANT INSTRUCTIONS, SAVE FOR FUTURE REFERENCE

### CAUTION

Read and follow all instructions before operating fan. Do not use fan if any part is damaged or missing.

### WARNING

- To reduce the risk of fire or electrical shock, do not expose to water or rain.
- To reduce the risk of fire or electrical shock, do not use this fan with any solid state speed control device.
- Automatically operated device - To reduce the risk of injury, disconnect from power supply before servicing.
- If the power supply cord is damaged, contact your local service centre or a qualified electrician to install an appropriate replacement cord to prevent any injury or damage.
- The appliance does not apply to be used in locations where special conditions prevail, such as the presence of a corrosive or explosive atmosphere ( dust, vapour or gas ).
- This appliance is not intended for use by persons (including children) with reduced physical, sensory or mental capabilities, or lack of experience and knowledge, unless they have been given supervision or instruction concerning use of the appliance by a person responsible for their safety.
- Children should be supervised to ensure that they do not play with the appliance.



### RULES FOR SAFE OPERATION

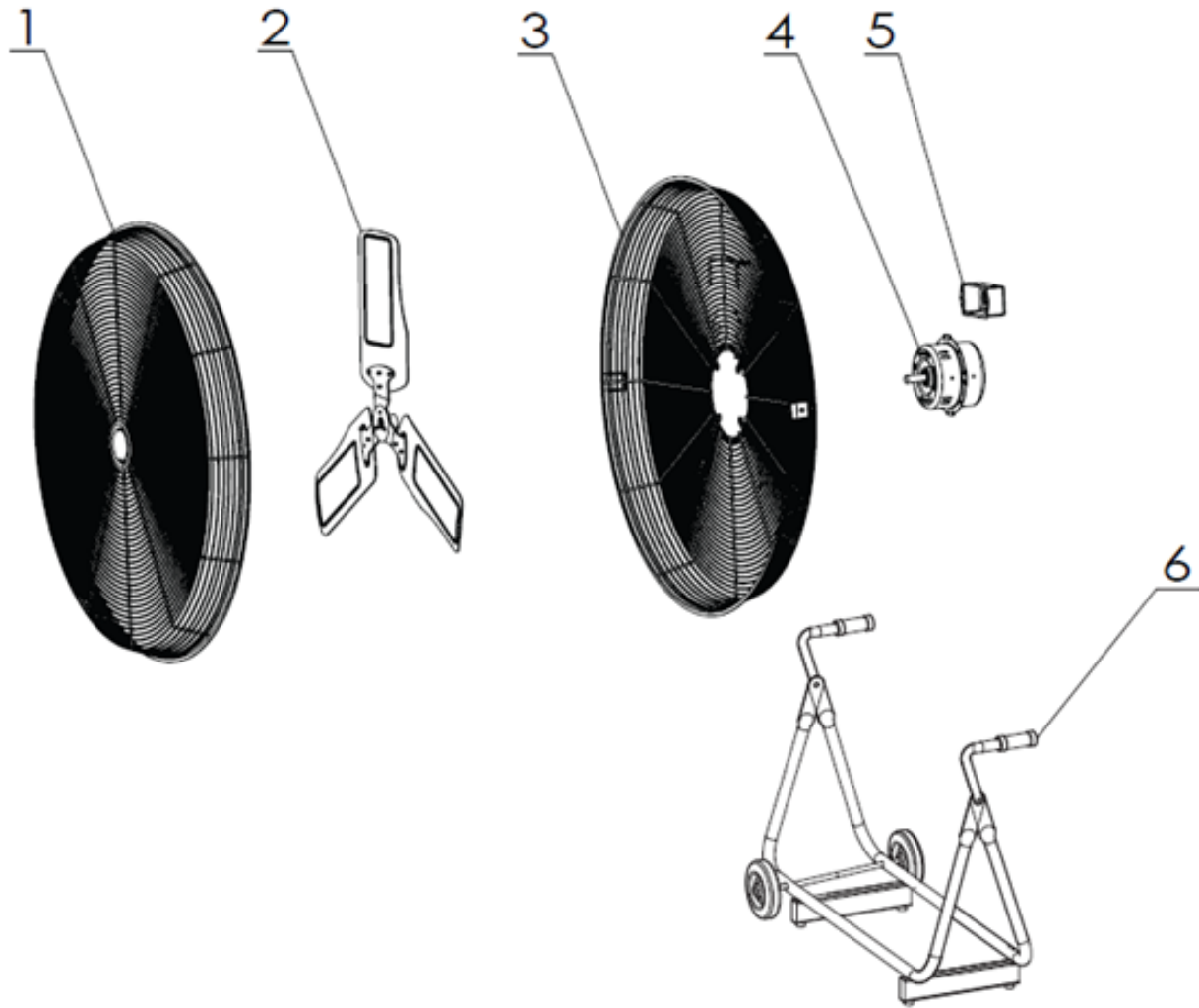
- Never insert fingers or any other objects through the grill guard when fan is in operation.
- Disconnect the fan from its power source when moving from one location to another.
- Disconnect the fan from its power source when removing guards for cleaning.
- Be sure fan is on a stable, flat surface when in operation.
- Do not use fan in windows. Rain and moisture may create electrical hazard. Close supervision is necessary when this fan is used near children, the elderly and pets.
- Do not place the fan near an open flame, cooking or heating appliance, or hot surface.
- This fan should not be operated outside.

**CAUTION:** Do not alter the fan's assembly.

**WARNING:** Be sure that both front and rear guard screws are completely tightened in locking position before operation.

# Tilt Floor Fan

## 1 Main Parts of Fan



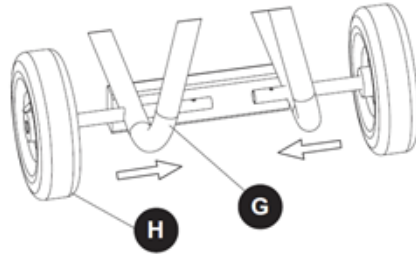
### Parts List

PART NO.	DESCRIPTION	QTY
1	Front Guard	1
2	Blade	1
3	Rear Guard	1
4	Motor	1
5	Switch Box	1
6	Base Bracket	1

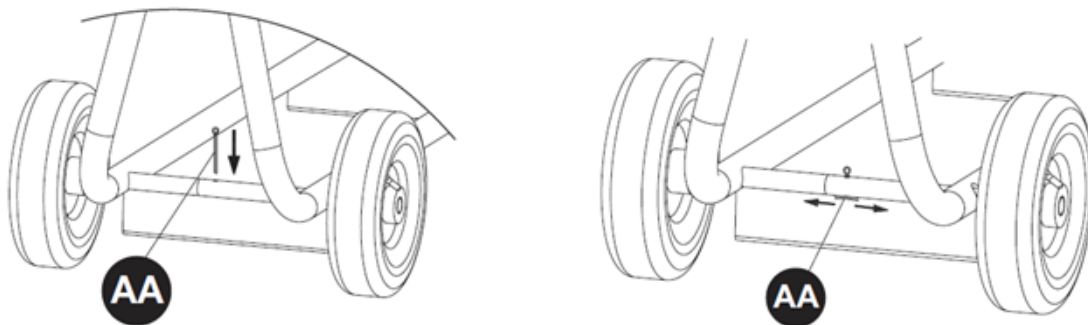
# Tilt Floor Fan

## 2 Assembly Instructions

1. Attach wheels (H) to the base (G).



2. Secure wheels (H) by inserting a split pin (AA) into the whole on the wheel shaft and splitting the pin.



## 3 Operating Instructions

### TO ADJUST AIRFLOW UPWARD OR DOWNWARD

Tilt the fan head to the desired angle.

### SPEED CONTROL

Change the setting on the speed regulator to the desired setting-low "1" or high "2".

### MOVING FAN

Grasp the handle firmly and move to the desired location.

It is normal for the motor to feel warm to the touch during operation. The motor is thermally protected and will automatically shut off when it overheats. If this happens immediately disconnect the fan from the power outlet.

## 4 Care and Maintenance

Unplug the appliance before cleaning. Don't use any water for cleaning metal surfaces. Slightly moisten a cloth and then wipe off the surfaces of the fan. In order to remove dust from the grill, use a vacuum cleaner or remove the front grill by removing the securing screws on the edge of the grill. After cleaning, remount the grill. After doing this, fasten the screws on the edge of the grill.