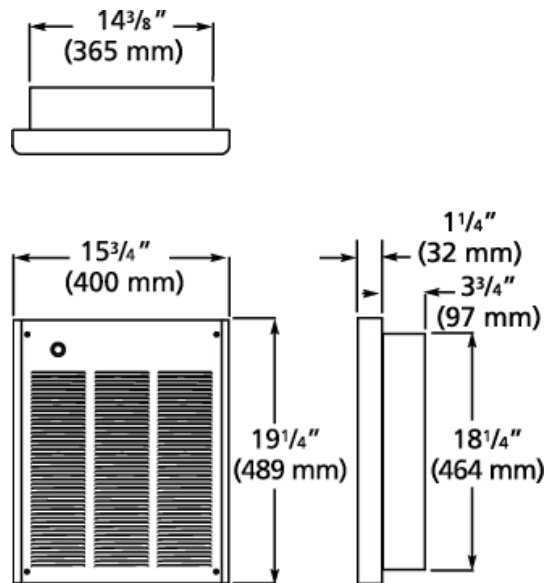


User's manual	Manual del usuario	Manuel de l'utilisateur
Customer Service US: 1-800-645-2986	Servicio de atención al Cliente US: 1-800-645-2986	Service à la clientèle Canada: 888-645-2986

# Fan Forced Wall Heater

Model(s): 246743



Please read carefully before attempting to assemble, install, operate or maintain the product described. Protect yourself and others by observing all safety information. Failure to comply with instructions could result in personal injury and/or property damage! Retain instructions for future reference.

## SPECIFICATIONS

Model number	Volts	Phase	Watts	Amps	Min. Supply Wire Gauge
246743	240/208	1	4000/3000	16.7/14.5	10
			2000/1500	8.3/7.2	12

NOTE : This full wattage heater can be converted to half wattage in the field or at the factory

# Fan Forced Wall Heater

## GENERAL INSTRUCTIONS



### WARNING

When using electric appliances, care must always be followed to ensure a reduced risk of fire, electric shock and injury to persons. Take the following precautions to reduce said risks:

1. Read ALL instructions before installing or using this heater.
2. Use this heater only as described in this manual. Any uses not recommended by the manufacturer are liable cause fire, electric shock, or injury to persons.
3. Heater surfaces become hot during use. To avoid burns, do not let bare skin touch hot surfaces. To avoid fire, keep combustible materials, such as furniture, pillows, bedding, papers, clothes, curtains, etc. at least 3 ft (0.9m) from the front of the heater.
4. Extreme caution is necessary when any heater is used by or near children or people with disabilities, and whenever the heater is left operating and unattended.
5. In the event of any malfunction, cease operation of the heater. Disconnect power at main service panel and have heater inspected by a trained professional electrician before next use.
6. Do not use heater outdoors.
7. To disconnect heater, set on/off switch to off, and disconnect power to heater circuit at main service panel.
8. Do not allow any foreign object to enter or block any air intake, ventilation or exhaust opening as this may cause an electric shock, fire, or damage to the heater.
9. The heater produces high heat, electrical arks and sparks inside. Do not use it in areas where gasoline, paint, or flammable liquids are used or stored.
10. In the event that the heater overheats, the unit will shut down and a red light will turn on. When the light is on, **DO NOT ATTEMPT TO OPERATE THE HEATER.** Disconnect the power supply and inspect intake, ventilation and exhaust ports for any blockages that may have caused the overheating.
11. Do not use the heater in damp or wet environments such as marine establishments or in the presence of corrosive or hazardous chemicals such as greenhouses or laboratories.
12. Review **INSTALLATION INSTRUCTIONS** to ensure safe and effective installation of heater.
13. Review **MAINTENANCE AND OPERATION** for safe and efficient operation of heater and to prolong service life of heater.

# Fan Forced Wall Heater

## SAFETY INSTRUCTIONS



### **WARNING**

To prevent a possible fire, injury to persons or damage to the heater, adhere to the following guidelines:

1. Before wiring or servicing, disconnect all power coming to heater at main service panel.
2. All wiring procedures and connections must be in accordance with National and Local Codes having jurisdiction.
3. Heater must be properly grounded.
4. Power supply must enter back box through the knockouts
5. Heater nameplate states voltage rating for unit. **IF THE HEATER POWER SUPPLY IS GREATER THAN THE RATED VOLTAGE, PERMANENT DAMAGE TO THE HEATER MAY OCCUR AND WARRANTY WILL BE VOIDED. HIGH VOLTAGE ALSO PRESENTS RISK OF FIRE, DO NOT EXCEED VOLTAGE ON NAMEPLATE.**
6. **CAUTION:** Keep combustibles such as electrical cords, draperies, furnishings, and paper goods at least 3 ft (0.9 m) from front of heater. **DO NOT** install heater behind doors, below towel racks, or in areas where it may be blocked by furniture, curtains or storage materials. Hot air from heater also may damage furniture and plastic goods. **DO NOT** store or use gasoline or other flammable vapors or liquids in the vicinity of the heater.
7. Do not operate the heater without the grille installed.
8. This heater must be mounted to a wall using the back box. Unit may be installed with the back box recessed or surface mounted as described within this manual.
9. The following minimum clearances must be adhered to:
  - Heater bottom to floor: 8" (203 mm)
  - Heater sides to adjacent wall: 8" (203 mm)
  - Heater top to ceiling: 36" (915 mm)
10. Do not use the heater for drying purposes. Paint, plaster, sawdust, drywall sanding and other materials may cause permanent damage to the heater and must be kept out of the ventilation system.

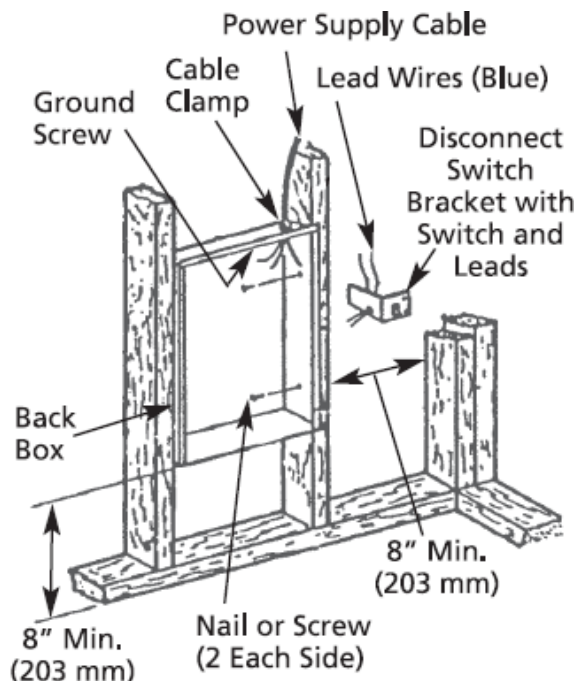
# Fan Forced Wall Heater

## INSTALLATION INSTRUCTIONS

NOTE: Heater is designed for recessed installation into wall using 2" x 4" studs

### FOR NEW CONSTRUCTION

1. Place the back box between two 16'' (406mm) center-to-center wall studs at the desired mounting height but no closer than 8'' (203mm) to adjacent wall or floor.  
CAUTION: If wall studs are spaced greater than 16'' on center, additional framing supports may be necessary.
2. Align the back box so that the bottom and sides will be flush with finished wall surface and the unit will sit fully recessed in the wall. The top flange of the back box should protrude approximately ½'' (12.7mm) from the finished wall surface.
3. Secure the back box in position with wood screws or nails as shown in Figure 1.
4. Run a power supply cable into the knockout area in the upper right-hand corner of the back box. All wiring must be in accordance with National and Local Electrical Codes. Refer to "Specifications" for correct wire size.
5. Remove disconnect switch bracket by loosening two screws on the right side.
6. Install a cable clamp in the knockout in the top of the back box.
7. Insert power supply cable through cable clamp, allowing at least 6'' (152cm) of leads to extend inside the back box. Connect the black and white lead wires of disconnect switch to the supply wire leads using wire connectors (see "Wiring Diagram", Figure 5).
8. Ground the switch bracket by connecting the supply ground lead wire to the green ground screw located outside the left of the switch bracket.
9. Secure disconnect switch bracket in place by tightening screws.



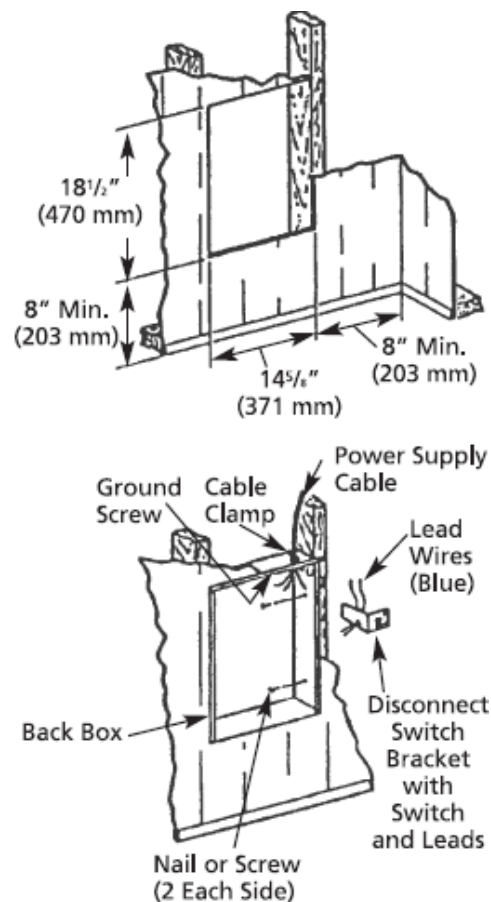
Wire compartment volume:  
119 in<sup>3</sup> (1950 cm<sup>3</sup>).

**Figure 1 – Locating Recessed Back Box in New Construction**

# Fan Forced Wall Heater

## FOR EXISTING CONSTRUCTION

1. Carefully mark and cut a rectangular hole measuring 14 5/8" (371 mm) wide by 18 1/2" (470 mm) tall at the desired mounting height. One edge of the hole must be cut along the edge of a stud. Remember to follow minimum clearances, see "Safety Instructions"
2. Run a power supply cable into the area above the top of the wall opening. All wiring must be in accordance with National and Local electric codes. Refer to "Specifications" for correct wire size.
3. Remove disconnect switch bracket by loosening the two screws on the right side.
4. Install a cable clamp in the "knockout" in the top of wall back box.
5. Insert power supply cable through cable clamp, allowing approximately 6" (152cm) of cable length to remain inside the back box to facilitate connections.
6. Place the back box into wall opening with the bottom and sides of box flush with the finished wall surface. The top flange of the back box should protrude approximately 1/2" (12.7mm) from the finished wall surface.
7. Secure the back box in place with wood screws or nails.
8. Connect the power supply wires to the black and white wires of the disconnect switch using wire connectors (see "Wiring Diagram", Figure 5).
9. Ground the switch bracket by connecting the supply ground lead wire to the green ground screw located outside the left of the switch bracket.
10. Secure disconnect switch bracket in place by tightening screws.



**Figure 2 – Locating Recessed Back Box in Existing Construction**

# Fan Forced Wall Heater

## HEATER AND GRILLE ASSEMBLY

After back box is completely installed and no further construction debris will be produced, clean debris from back box, remove heater assembly from its carton, then refer to Figure 3 and proceed the following instructions:

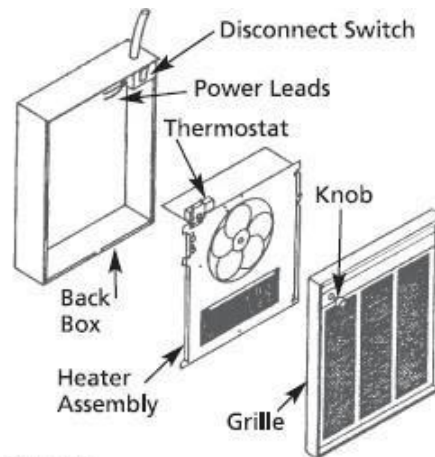


Figure 3

1. Insert the heater assembly into back box, placing the four mounting holes (with key-hole slots) over the screws in the back box. Tighten all screws securely.
2. If surface-mounting frame is used, ensure that the frame is even with all four heater assembly tabs before tightening screws.
3. Connect the two disconnected switch wires to the heater control switch (thermostat) leads using wire nuts. After connection, push wires back into the opening.
4. Turn thermostat to the extreme counterclockwise position.
5. Push disconnect switch into "ON" position.
6. Mount the grille using the four (4) long screws provided. The screws thread into holes located in the side flanges of the back box.
7. Push thermostat knob onto thermostat shaft.

## HEATER AND GRILLE ASSEMBLY

The wall heater is manufactured and shipped at the highest rated wattage, see "Specifications". Full wattage heater can be converted to half wattage through the following steps:

1. Remove the red jumper wire as shown in Figure 4 (next page), and discard.
2. To permanently make the heater half wattage, cut the male terminal spade, being careful not to damage the cold pin and discard.
3. Mark the wattage of the heater on the white label inside the back box.

# Fan Forced Wall Heater

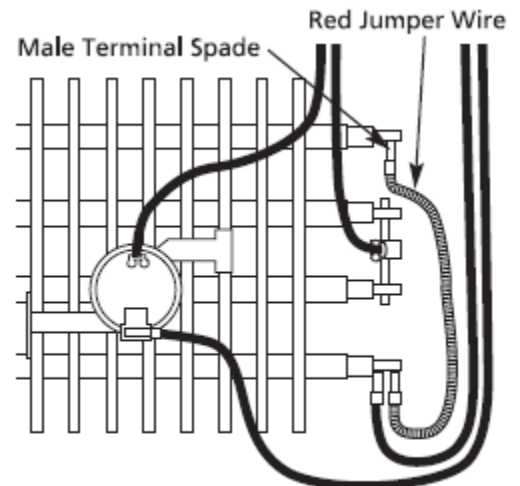
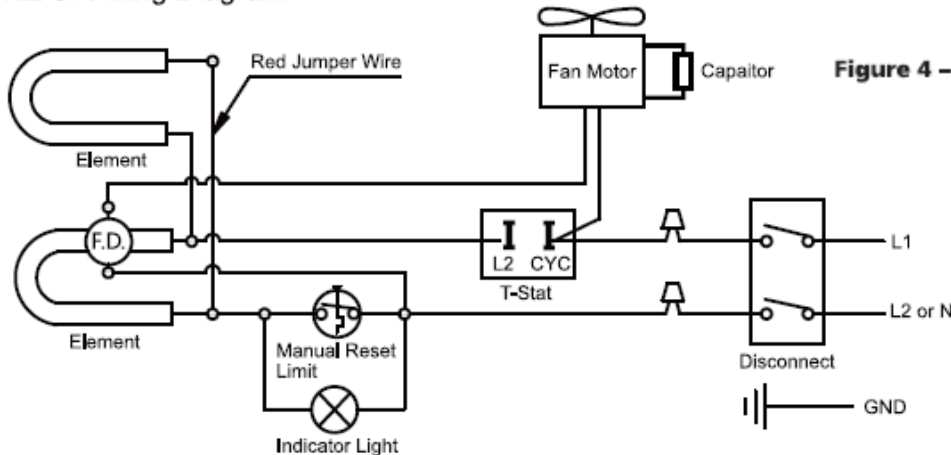


Figure 4 - Converting Heater to Half Wattage

FIGURE 5: Wiring Diagram



NOTE: Full wattage heater can be converted to half wattage by removing the red jumper wire connecting the top and bottom element terminals in the field or at the factory.

## MAINTENANCE AND OPERATION

1. Heater must be properly installed before operation.
2. Rotate thermostat knob fully clockwise to reach the maximum heat setting.
3. Wait at least 2 minutes, the fan control will not allow the fan to run until the heating element is warm.
4. If fan does not come on after extended period of time, check to see if heating element is on and check wiring.
5. Allow heater to continue operating until desired room temperature is reached, then turn thermostat knob counterclockwise until thermostat clicks off. The fan will continue operating until the element cools.
6. Readjust thermostat settings until room remains comfortable temperature. Turning the thermostat clockwise will increase the duration of heat production while turning it counterclockwise will decrease the duration.

NOTE: It is advised to leave the thermostat fully clockwise when heating room from cold temperatures.

CAUTION: Operation of the manual reset safety thermal limit control is an indication that the heater has been subjected to some abnormal condition, It is recommended that the heater be checked by a reputable electrician or repair service to ensure the heater has not been damaged.

## Fan Forced Wall Heater

# HOW TO MANUALLY RESET OVER-TEMPERATURE LIMIT

This heater features an over-temperature safety control that will turn off the heater if it overheats. This control is located on the fan panel assembly between the element and fan blade and marked “reset”. The red reset button can be seen through the front grille when the heater is installed. To reset, allow the heater to cool, then push the red button that is visible through the hole in the fan panel. The heater should immediately return to normal operation.

**CAUTION:** Do not continue to attempt to use the heater if the safety control repeatedly operates after being reset. To do so could permanently damage the heater or create a fire or safety hazard.

### **⚠ WARNING**

Do not tamper with or bypass any safety limits inside the heater

## BASIC UPKEEP

### **⚠ WARNING**

All servicing beyond simple cleaning that requires disassembly should be performed by qualified service personnel.

### **⚠ WARNING**

Before performing any maintenance or service, disconnect all power coming to heater at main service panel and check that the element is cool. This must be done to ensure a reduced risk of fire and electric shock or personal injury.

It is important to keep this heater clean, just like any heater. Your heater will give you years of service and comfort provided you take care of it. To ensure efficient operation and a long service life, adhere to the simple instructions that follow:

1. When the heater is cool, use a vacuum cleaner with a brush attachment to remove dust and lint from exterior surfaces, including the grille openings.
2. With a damp (not wet) cloth, wipe dust and lint from grille and other exterior surfaces.
3. Return power to heater and check to see if it is operating properly.

**CAUTION:** At least annually, the heater should be cleaned and serviced by a qualified service person to assure safe and efficient operation. This should include the removal of the grille and, as necessary, the heater from the back box to clean dust and residue from the unit. After completing the cleaning and servicing, the heater should be fully reassembled and checked for proper operation.