

UNP0200 / UNP0300

Nugget Ice Machines

Project _____
 Item _____
 Quantity _____
 CSI Section 11400
 Approved _____
 Date _____

UNP0200 / UNP0300 Nugget Ice Machines

Models

UNP0200A UNP0300A



Model UNP0200A
Nugget Ice Machine



Model UNP0300A
Nugget Ice Machine

Standard Equipment

Ice Scoop, 6" Bin Legs, Standard Legs Adjustable from 4-1/2" to 6"

Ice Machine Electric

*115/60/1 (230/50/1 also available.)
 115/60/1 ice machines are factory pre-wired with a 6' (180 cm) power cord and NEMA 5-15P plug configuration.

*230/50/1 ice machines are factory pre-wired with a 6' (180 cm) power cord with no plug.

Total ampacity:

Air-cooled: 7.5 amps.

Maximum fuse size:

Air-cooled: 15 amps.

HACR-type circuit breakers can be used in place of fuses

Specifications

Condenser Heat of Rejection (BTU per hour):
 3,038 (average) on UNP0200 and 5,121 (average) on UNP0300

Compressor:
 Nominal rating: 1/4 HP on UNF0200 and 3/4 HP on UNF0300

Refrigerant:
 R290A

- Operating Limits:**
- Ambient Temperature Range: 50° -110° F (10° -43° C)
 - Water Temperature Range: 37° -90° F (3° -32° C)
 - Water Pressure Ice Maker Water In: Min. 14 psi (96.5 kPa) Max. 80 psi (551.6 kPa)

Standard Features

- Bite-Size Nugget that boasts one of the industry's best ice to water ratios for nugget ice, maximizing cooling capability while minimizing drink dilution.
- Undercounter installation - UNP0200 for kitchen counters and UNP0300 for bar height counters.
- Up to 325 lbs. (148 kgs) daily nugget ice production.
- Perfect for carbonated beverages, blended smoothies and healthcare/physical therapy.
- Up to 50 lbs. (23 kgs) ice storage capacity.
- High load capacity bearings for enhanced reliability.
- R290 Refrigerant is environmentally friendly with less ozone depletion compared to R404.
- Easy access door, slides up & out of the way.

COMMERCIAL WARRANTY		
ICE MAKER	COMPRESSOR	
3	3	5
YEAR PARTS	YEAR LABOR	YEAR PARTS 3 YEAR LABOR

Ice Shape

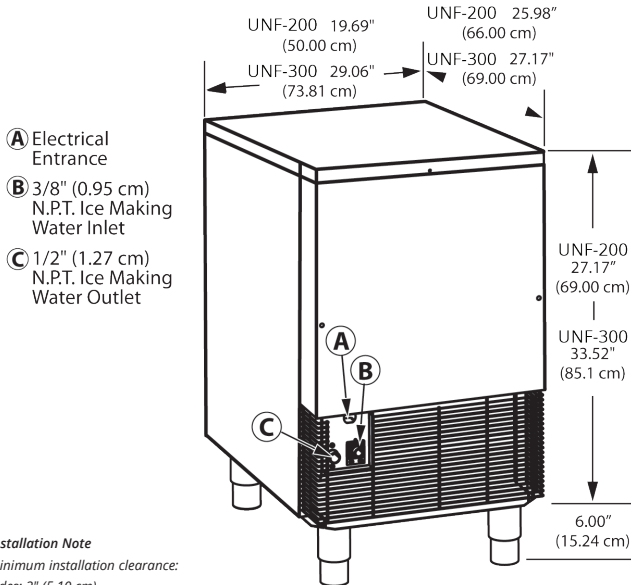
Nugget ice consists of small pieces ranging from 3/8" to 1/2" in width and length on average. Offers a 85% ice to water ratio with a soft, chewable texture while still providing maximum cooling effect and great dispensibility.



UL STD 563 CAN/CSA-C22.2 No. 120 SANITATION NSF/ANSI STD 12 COMPANY WITH QUALITY SYSTEM CERTIFIED BY DNV =ISO 9001:2008 =



UNP0200 / UNP0300



Installation Note
 Minimum installation clearance:
 Sides: 2" (5.10 cm)
 Back: 5" (12.70 cm)

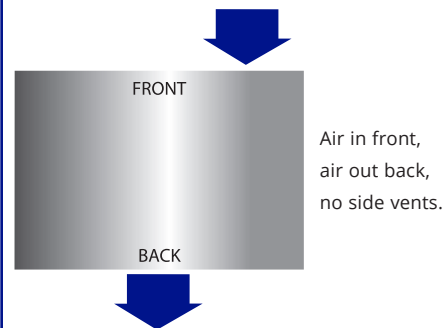
Space-Saving Designs



	UNP0200	UNP0300
Height	33.17" 84.24 cm	39.52" 100.4 cm
Width	19.69" 50.00 cm	29.06" 73.81 cm
Depth	25.98" 66.00 cm	27.17" 69.00 cm
Bin	30 lbs.	60 lbs.
Storage	14 kgs	27 kgs

Height includes adjustable bin legs 4.50" to 6.00" (11.43 cm to 15.24 cm) set at 6.00" (15.24 cm).

Air Flow Overhead View



Air-Cooled Ice Machine	Model	Ice Shape	Ice Production 24 Hours		Power kWh/100 lbs @ 90°Air/70°F 32°Air/21°C	Potable Water Usage (100 lbs./ 45.4 kgs of Ice)	Application Capacity*	2017 AHRI Capacity**	2018 AHRI Capacity***
			70°Air/50°F Water 21°Air/10°C Water	90°Air/70°F Water 32°Air/21°C Water					
			UNP0200	Nugget					
UNP0300	Nugget	325 lbs. 148 kg	286 lbs. 130 kg	5.42	12 gal. 45.4 L	60 lbs. 27 kgs	50 lbs. 23 kgs	2.04 Cu. ft 0.06 Cu. m	

*"A" following model number indicates "Air" condensing unit.
 *Application capacity is based on 90% of the volumex 33lbs/ft3 average density of ice must be managed
 **2017 Approved AHRI capacity is based on 80% of the total volumen x 30 lbs/ft3 average density of ice
 ***2018 AHRI certified measurement for bin capacity*

Welbilt reserves the right to make changes to the design or specifications without prior notice.