

RNP0620

Nugget Ice Machine

Project _____
 Item _____
 Quantity _____
 CSI Section 11400
 Approved _____
 Date _____

RNP0620 Nugget Ice Machine

Model

RNP0620A RNP0620W



RNP0620A Nugget Ice Machine on Multiplex SV-250 Dispenser

Model RNP0620A Nugget Ice Machine on D-420 Bin

Features

- Bite sized nugget with 85% ice content offers one of the best ice to water ratios for maximum cooling and minimal drink dilution
- Up to 613 lbs. (278 kg) of daily ice production
- Perfect for beverage applications, dispensing, smoothies, and cold therapy
- Can be paired with a Multiplex beverage dispenser for an unbeatable soft drink experience
- Highload maintenance free bearings for enhanced reliability
- R290 Refrigerant is environmentally friendly with less ozone depletion compared to R404

COMMERCIAL WARRANTY

ICE MAKER	COMPRESSOR
3	5
YEAR PARTS	YEAR PARTS
LABOR	3 YEAR LABOR

Specifications

- BTU per hour:**
 Air: 10,822 (Average)
 Water: 2,697 (Average)
- Compressor:**
 Nominal rating: 1 HP
- Refrigerant:**
 R290A
- Operating Limits:**
- Ambient Temperature Range: 50° -110° F (10° -43° C)
 - Water Temperature Range: 37° -90° F (3° -32° C)
 - Water Pressure Ice Maker Water In:
 Min. 14 psi (96.5 kPa)
 Max. 80 psi (551.1 kPa)

Ice Machine Electric

115/60/1 standard. (230/50/1 also available.)

Minimum circuit ampacity:

Air-Cooled: 13.5
 Water-Cooled: 13.5

Maximum fuse size:

Air-Cooled: 20 amps
 Water-Cooled: 20 amps

HACR-type circuit breakers can be used in place of fuses.

Ice Shape

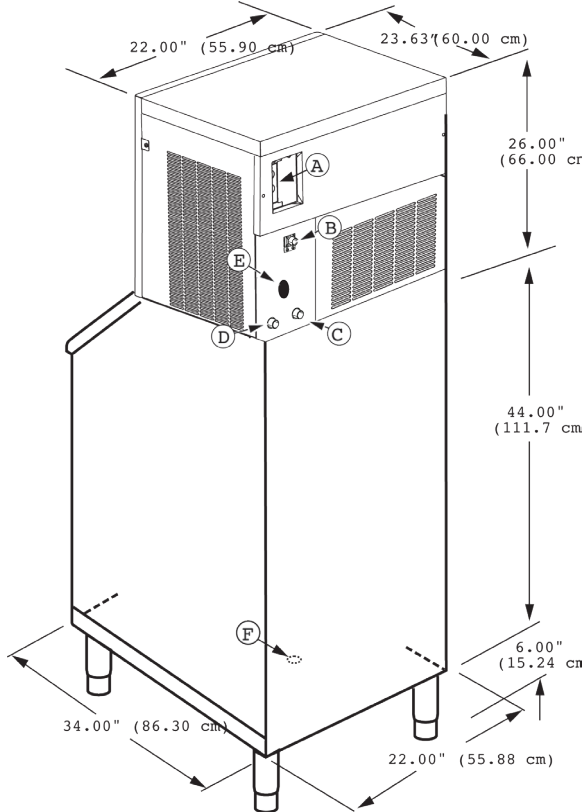
Nugget ice consists of small pieces ranging from 3/8" to 1/2" in width and length on average. Offers a 85% ice to water ratio with a soft, chewable texture while still providing maximum cooling effect and great dispensibility.



Ice shown actual size



RNP0620 on D-420 Storage Bin



Dispenser Note -

Verify with the dispenser manufacturer that the correct agitator and deflector kit for nugget ice dispensing is included with your dispenser purchase.

Installation Note -

Minimum installation clearance:
Top/sides: 8" (20.32 cm),
Back: 5" (12.70 cm).

- (A) Electrical Entrance (2) Options
- (B) 3/8" FF. Condenser Inlet (water-cooled only)
- (C) 1/2" MT Condenser Drain (water-cooled only)
- (D) 1/2" MT Making Water Drain
- (E) 3/8" FF. Making Water Inlet
- (F) 3/4" Braid

Space-Saving Designs



RNP0620 on D-420

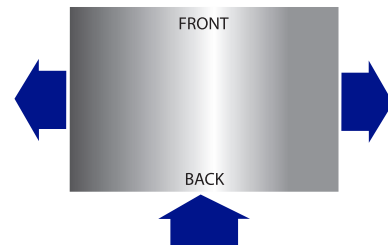
Height	76.00" 193.00 cm
Width	22.00" 55.90 cm
Depth	34.00" 86.36 cm
Bin Storage	310 lbs 140.7 kg

Height includes adjustable bin legs 6.00" to 7.00",
(15.24 to 17.78 cm) set at 6.00" (15.24 cm).

Accessories

K00472 30" D Style Bin Adapter

Air Flow Overhead View



	Model	Ice Shape	Ice Production 24 Hours		Power kWh/100 lbs @ 90°Air/70°F	Water Usage (100 lbs./45.4 kgs of Ice)	
			70° Air/50°F Water 21° Air/10° C Water	90° Air/70°F Water 32° Air/21° C Water		Potable Water	Condenser Water
AIR-COOLED	RNP0620A	Nugget	575 lbs	463 lbs	5.66	12 gal	—
			261 kg	210 kg		45.4 L	—
WATER-COOLED	RNP0620W	Nugget	613 lbs	508 lbs	4.67	12 gal	118 gal
			278 kg	230 kg		45.4 L	447 L

Welbilt reserves the right to make changes to the design or specifications without prior notice.