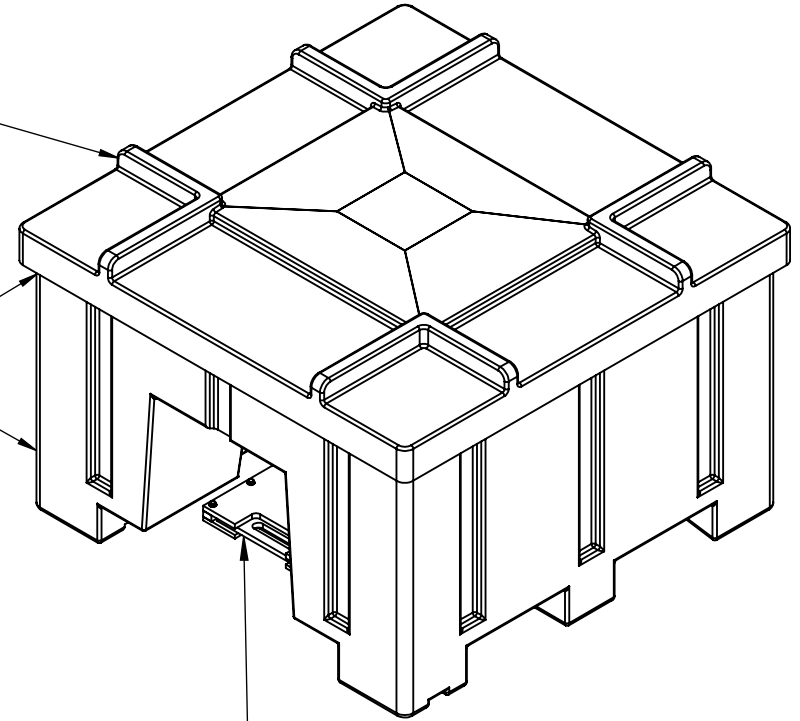


COVER ONLY
DRAWING

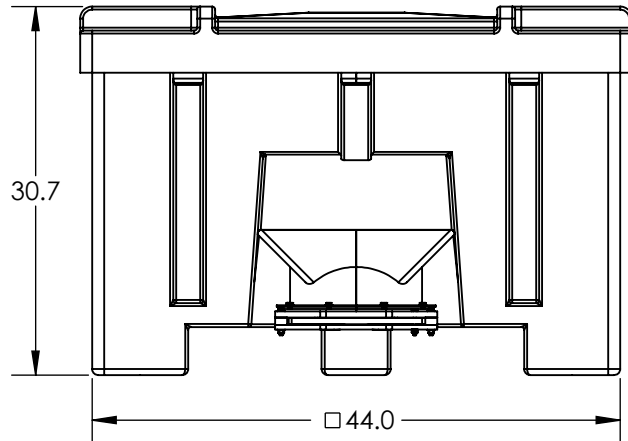
BIN ONLY
DRAWING

BASE ONLY
DRAWING




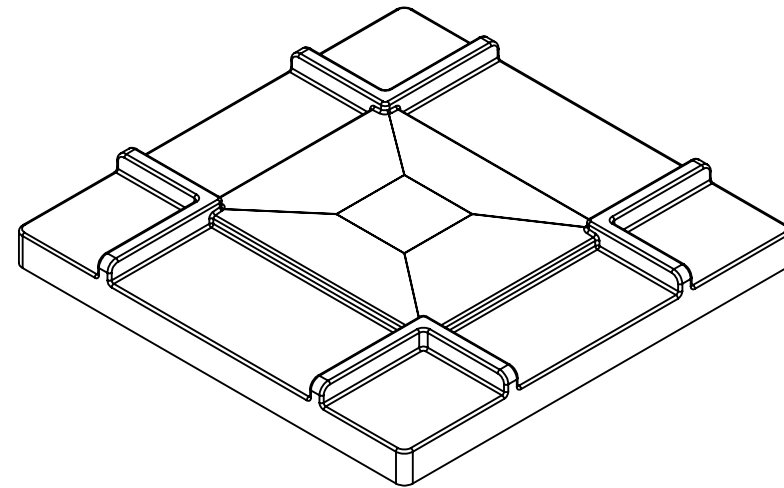
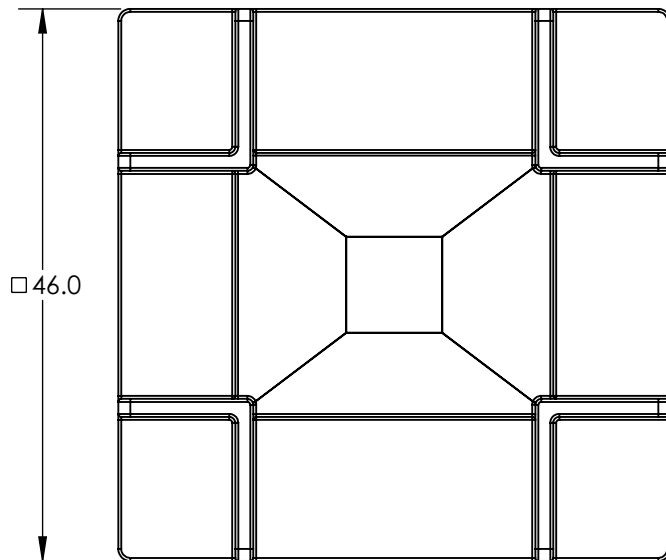
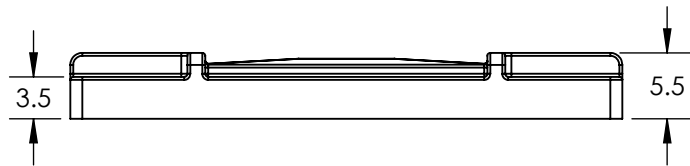
SLIDE GATE OPTIONS:

STANDARD SLIDE GATE - [34701850](#)
 QUICK SLIDE GATE - [35902614](#)
 SLIDE GATE W/ COLLAR - [34702005](#)



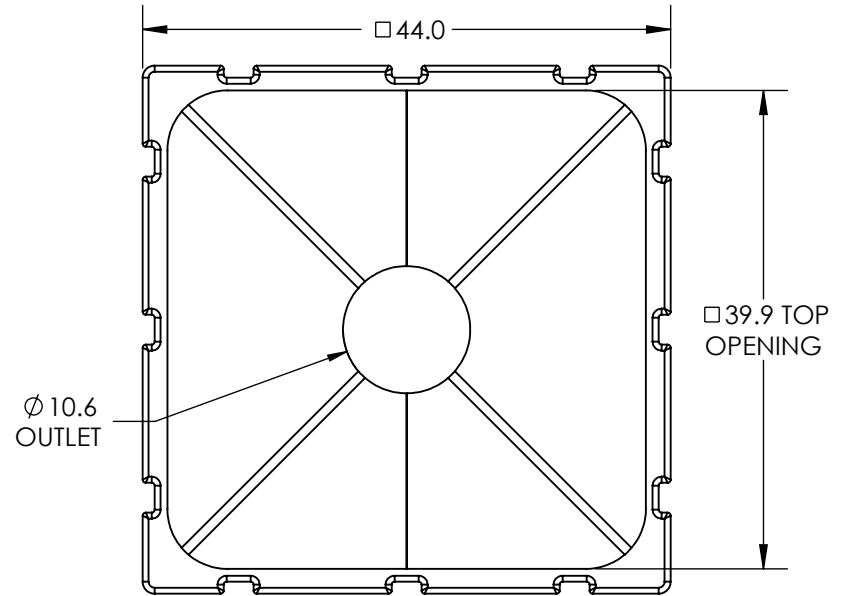
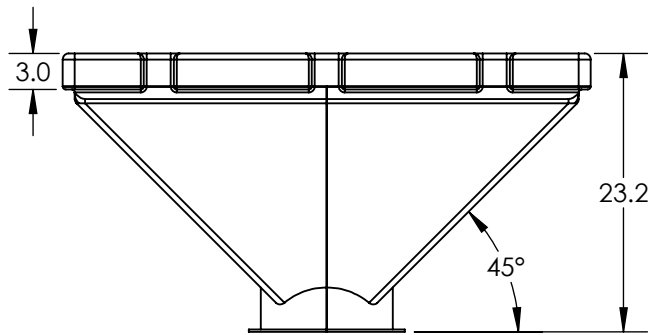
ALL DIMENSIONS ARE IN INCHES, NOMINAL, & SUBJECT TO CHANGE WITHOUT NOTICE.
 ALL DIMENSIONS ON ROTATIONAL MOLDED PARTS ARE SUBJECT TO A \pm 3% TOLERANCE.

4	1	34701850	ASM SLIDE GATE 10IN 8090STD
3	1	6392400M__01	COVER 8090 HPR
2	1	6392100M__01	BASE 8090 HPR
1	1	6375700M__01	HPR 8045 10CF OT
ITEM NO.	QTY.	PART NUMBER	DESCRIPTION
DO NOT SCALE		DRAWN BY	 <small>WWW.BONARPLASTICS.COM</small>
STATUS: Released		IGG	
© SNYDER INDUSTRIES INC., 2017			TITLE: ASM HPR 8045 OT SLGT
<small>ALL DIMENSIONS, DESIGNS, AND INFORMATION ON THIS PRINT MUST BE CONSIDERED PROPRIETARY TO SNYDER INDUSTRIES, INC. AND MAY NOT BE USED, COPIED, OR DISTRIBUTED WITHOUT WRITTEN PERMISSION OF AN OFFICER (OR HIS AGENT) OF THE FIRM.</small>			REVISION A
PART NO. 6375700M		ENG. ID. A004635	
			SHEET 1 OF 1




ALL DIMENSIONS ARE IN INCHES, NOMINAL, & SUBJECT TO CHANGE WITHOUT NOTICE.
 ALL DIMENSIONS ON ROTATIONAL MOLDED PARTS ARE SUBJECT TO A \pm 3% TOLERANCE.

DO NOT SCALE		DRAWN BY	BONAR PLASTICS WWW.BONARPLASTICS.COM	TITLE:	REVISION
STATUS:	Released	IGG		COVER 8090 HPR	A
© SNYDER INDUSTRIES INC., 2015					SHEET 1 OF 1
ALL DIMENSIONS, DESIGNS, AND INFORMATION ON THIS PRINT MUST BE CONSIDERED PROPRIETARY TO SNYDER INDUSTRIES, INC. AND MAY NOT BE USED, COPIED, OR DISTRIBUTED WITHOUT WRITTEN PERMISSION OF AN OFFICER (OR HIS AGENT) OF THE FIRM.			PART NO.	ENG. ID.	
			6392400M__01	D003619	

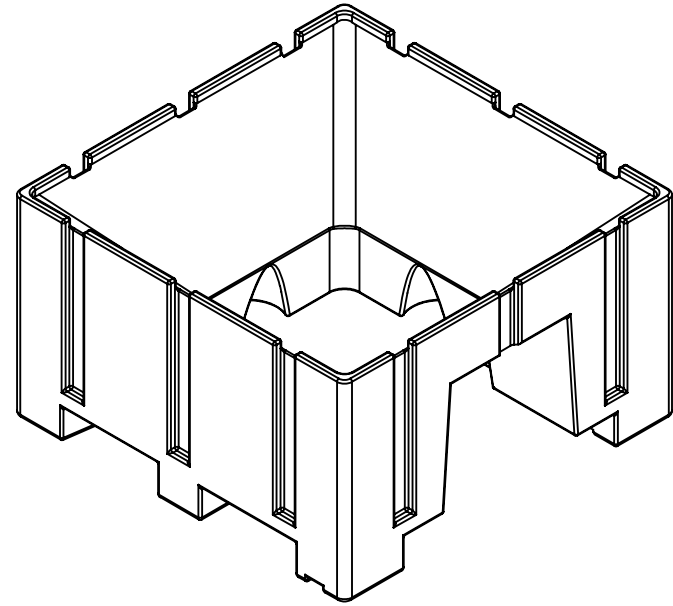
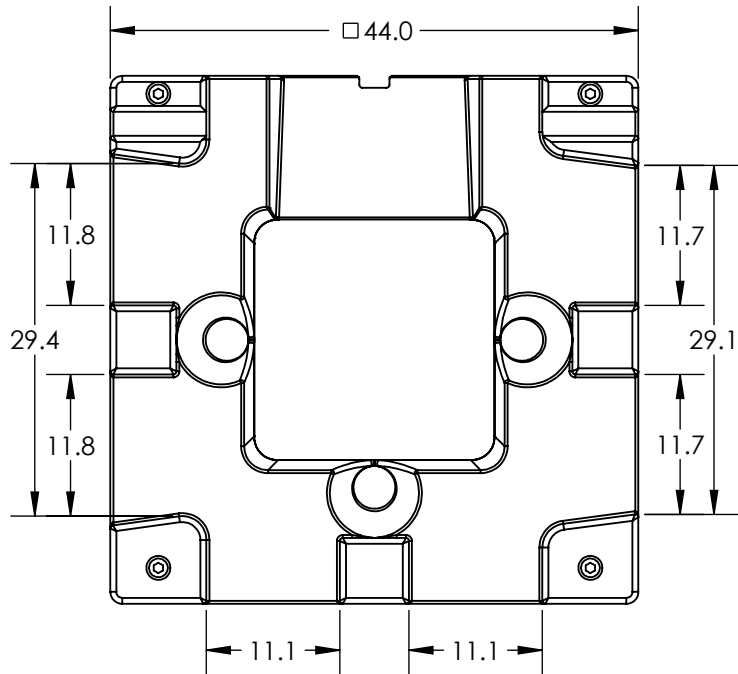
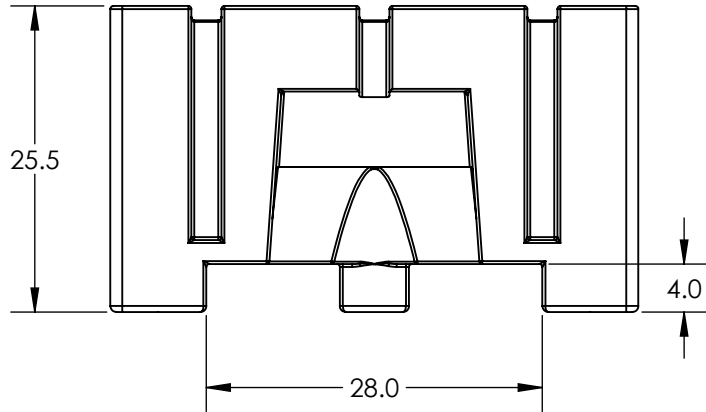


ALL DIMENSIONS ARE IN INCHES, NOMINAL, & SUBJECT TO CHANGE WITHOUT NOTICE.
 ALL DIMENSIONS ON ROTATIONAL MOLDED PARTS ARE SUBJECT TO A \pm 3% TOLERANCE.

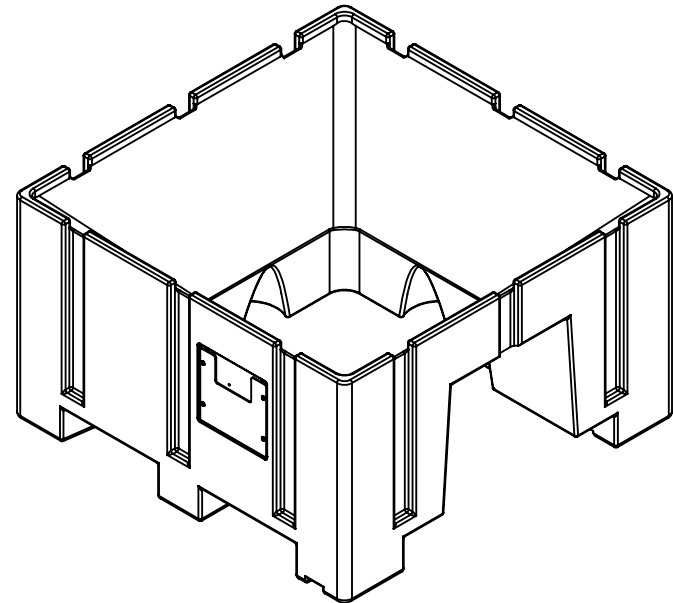
DO NOT SCALE		DRAWN BY	 www.bonarplastics.com	TITLE:	REVISION
STATUS:	Released	IGG		HPR 8045 10CF OT	A
© SNYDER INDUSTRIES INC., 2015				PART NO.	SHEET
<small>ALL DIMENSIONS, DESIGNS, AND INFORMATION ON THIS PRINT MUST BE CONSIDERED PROPRIETARY TO SNYDER INDUSTRIES, INC. AND MAY NOT BE USED, COPIED, OR DISTRIBUTED WITHOUT WRITTEN PERMISSION OF AN OFFICER (OR HIS AGENT) OF THE FIRM.</small>				6375700M__01	1 OF 1
				ENG. ID.	D003700

THIS BASE IS USED ON THE FOLLOWING HOPPERS:

- 8090
- 8091
- 8092
- 8095



STANDARD BASE - 6392100M__01



BASE W/ CARD HOLDER - 6392101M__01

**ALL DIMENSIONS ARE IN INCHES, NOMINAL, & SUBJECT TO CHANGE WITHOUT NOTICE.
ALL DIMENSIONS ON ROTATIONAL MOLDED PARTS ARE SUBJECT TO A ± 3% TOLERANCE.**

DO NOT SCALE		DRAWN BY	BONAR PLASTICS	TITLE:	REVISION
STATUS:	Released	IGG	WWW.BONARPLASTICS.COM	BASE 8090 HPR	A
© SNYDER INDUSTRIES INC., 2015					SHEET
ALL DIMENSIONS, DESIGNS, AND INFORMATION ON THIS PRINT MUST BE CONSIDERED PROPRIETARY TO SNYDER INDUSTRIES, INC. AND MAY NOT BE USED, COPIED, OR DISTRIBUTED WITHOUT WRITTEN PERMISSION OF AN OFFICER (OR HIS AGENT) OF THE FIRM.				PART NO.	1 OF 1
				ENG. ID.	D003571