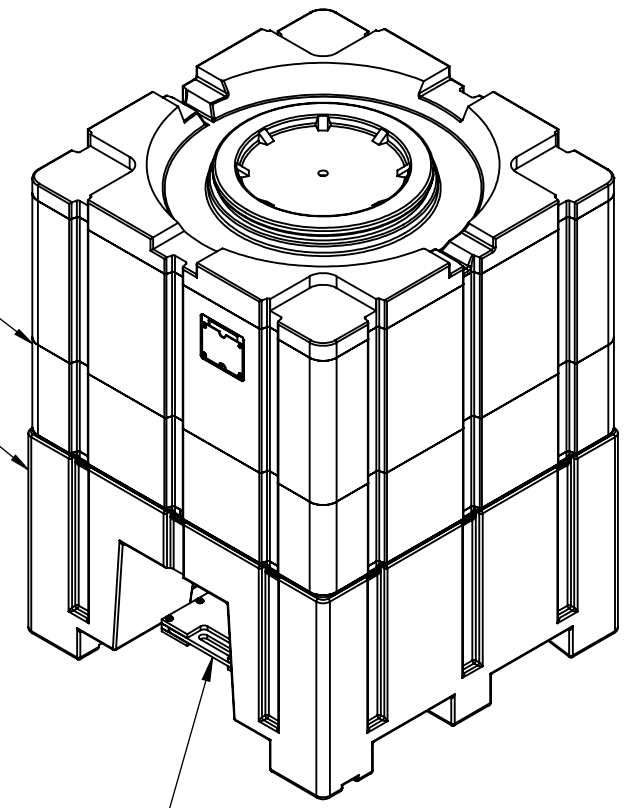


BOTTLE ONLY  
DRAWING


BASE ONLY  
DRAWING



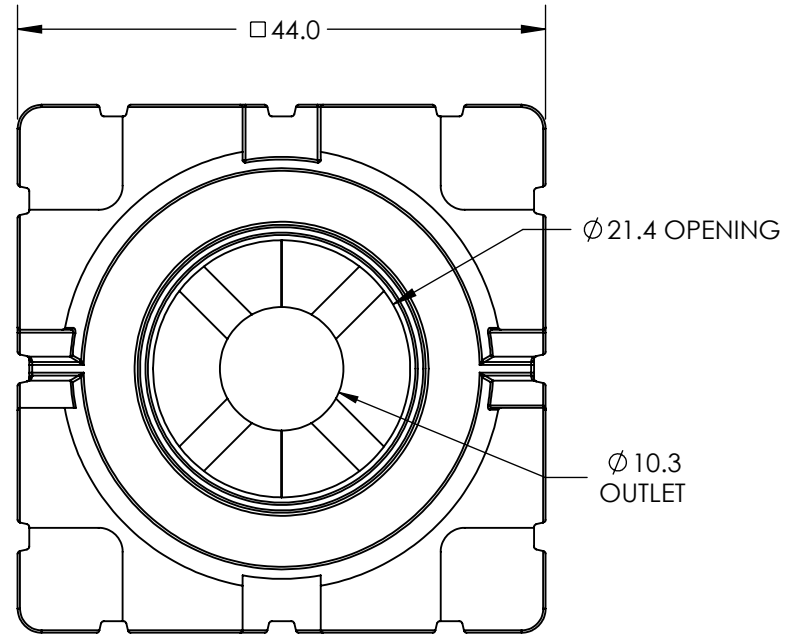
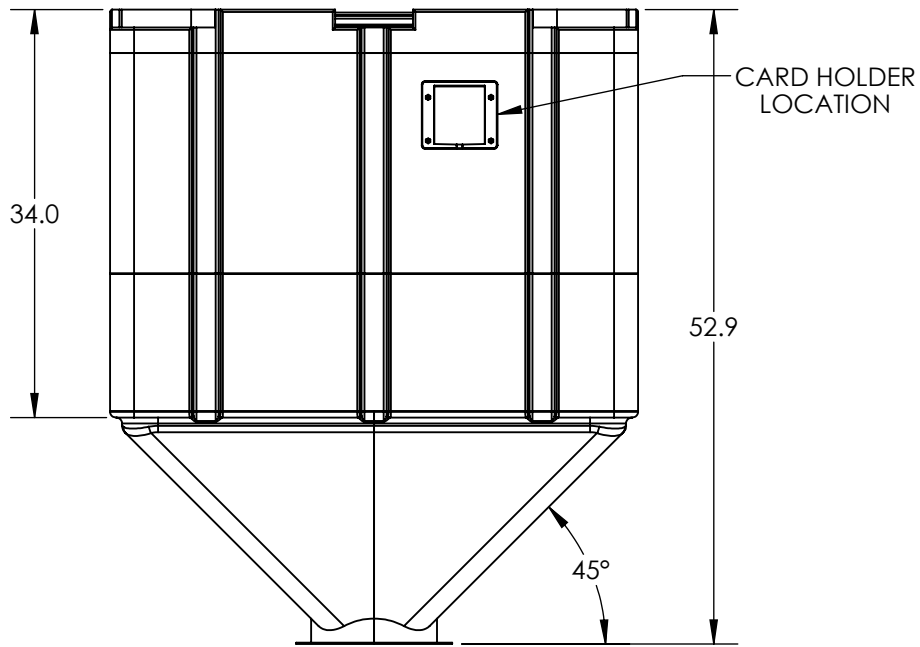
SLIDEGATE OPTIONS:

- STANDARD SLIDEGATE - [34701850](#)
- SLIDEGATE W/ COLLAR - [34702005](#)
- QUICK SLIDEGATE - [35902614](#)


ALL DIMENSIONS ARE IN INCHES, NOMINAL, & SUBJECT TO CHANGE WITHOUT NOTICE.  
ALL DIMENSIONS ON ROTATIONAL MOLDED PARTS ARE SUBJECT TO A ± 3% TOLERANCE.

4	1	34701850	ASM SLIDE GATE 10IN 8090STD
3	1	6392800M__01	COVER 8095 HPR
2	1	6392100M__01	BASE 8090 HPR
1	1	6375601M__01	HPR 8095-46CF BTM DSCRG CT
ITEM NO.	QTY.	PART NUMBER	DESCRIPTION
DO NOT SCALE		DRAWN BY	 <small>WWW.BONARPLASTICS.COM</small>
STATUS: <b>Released</b>		IGG	
© SNYDER INDUSTRIES INC., 2015			TITLE: <b>ASM HPR 8095-46CF CT 10IN-SLG</b> REVISION: <b>A</b> <small>SHEET 1 OF 1</small>
		PART NO. <b>6375601M</b>	ENG. ID. <b>A004484</b>

ALL DIMENSIONS, DESIGNS, AND INFORMATION ON THIS PRINT MUST BE CONSIDERED PROPRIETARY TO SNYDER INDUSTRIES, INC. AND MAY NOT BE USED, COPIED, OR DISTRIBUTED WITHOUT WRITTEN PERMISSION OF AN OFFICER (OR HIS AGENT) OF THE FIRM.

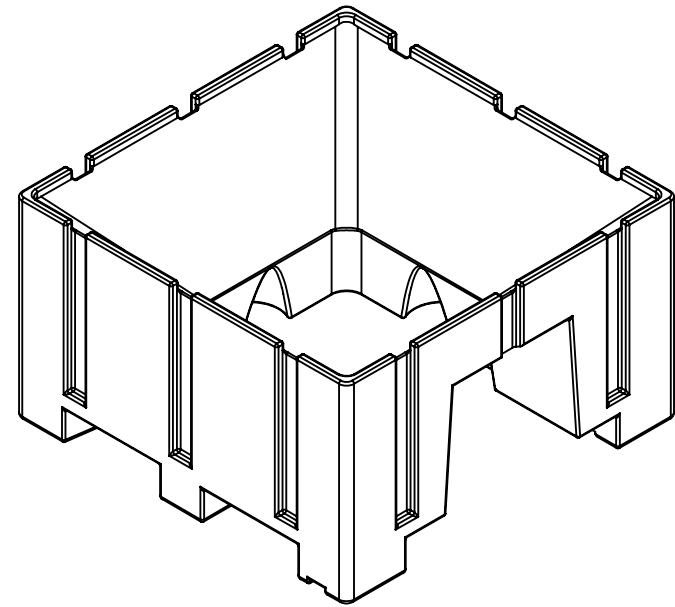
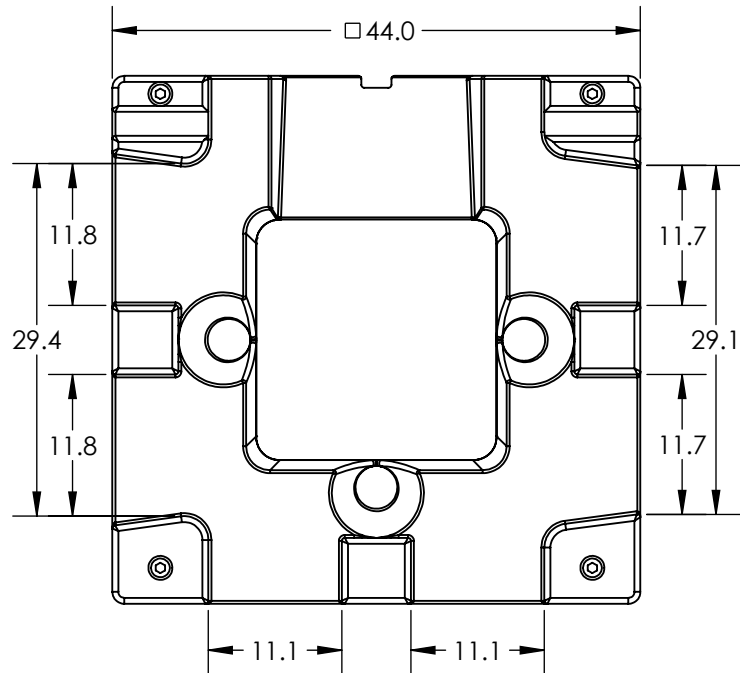
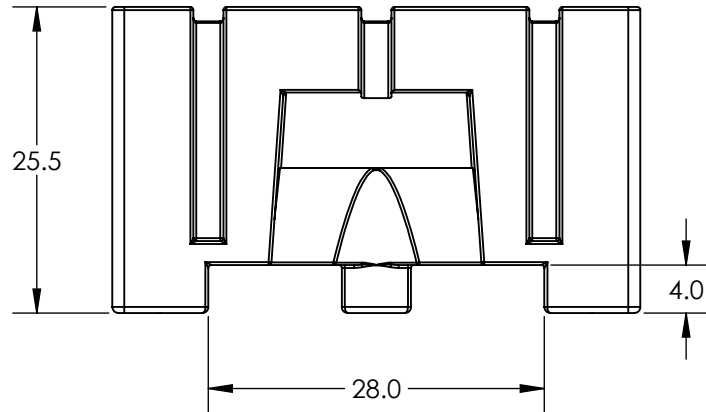


ALL DIMENSIONS ARE IN INCHES, NOMINAL, & SUBJECT TO CHANGE WITHOUT NOTICE.  
 ALL DIMENSIONS ON ROTATIONAL MOLDED PARTS ARE SUBJECT TO A ± 3% TOLERANCE.

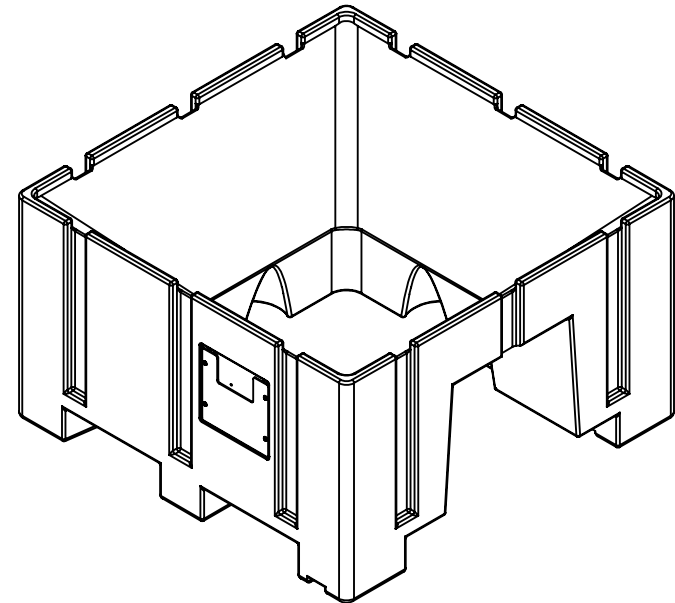
DO NOT SCALE		DRAWN BY	 www.bonarplastics.com	TITLE:	REVISION
STATUS:	<b>Released</b>	IGG		<b>HPR 8095-46CF BTM DSCRG CT</b>	<b>A</b>
© SNYDER INDUSTRIES INC., 2015					SHEET 1 OF 1
<small>ALL DIMENSIONS, DESIGNS, AND INFORMATION ON THIS PRINT MUST BE CONSIDERED PROPRIETARY TO SNYDER INDUSTRIES, INC. AND MAY NOT BE USED, COPIED, OR DISTRIBUTED WITHOUT WRITTEN PERMISSION OF AN OFFICER (OR HIS AGENT) OF THE FIRM.</small>			PART NO.	ENG. ID.	
			<b>6375601M__01</b>	<b>D003573</b>	

**THIS BASE IS USED ON THE FOLLOWING HOPPERS:**

- 8090
- 8091
- 8092
- 8095



STANDARD BASE - 6392100M\_\_01



BASE W/ CARD HOLDER - 6392101M\_\_01

**ALL DIMENSIONS ARE IN INCHES, NOMINAL, & SUBJECT TO CHANGE WITHOUT NOTICE.  
ALL DIMENSIONS ON ROTATIONAL MOLDED PARTS ARE SUBJECT TO A ± 3% TOLERANCE.**

DO NOT SCALE		DRAWN BY	BONAR PLASTICS	TITLE:	REVISION
STATUS:	Released	IGG	WWW.BONARPLASTICS.COM	BASE 8090 HPR	A
© SNYDER INDUSTRIES INC., 2015					SHEET
ALL DIMENSIONS, DESIGNS, AND INFORMATION ON THIS PRINT MUST BE CONSIDERED PROPRIETARY TO SNYDER INDUSTRIES, INC. AND MAY NOT BE USED, COPIED, OR DISTRIBUTED WITHOUT WRITTEN PERMISSION OF AN OFFICER (OR HIS AGENT) OF THE FIRM.				PART NO.	1 OF 1
				ENG. ID.	D003571