

# interion®

globalindustrial.com  
1.800.645.1232

Assembly Instructions

Instrucciones de Ensamblaje

Directives d'assemblage

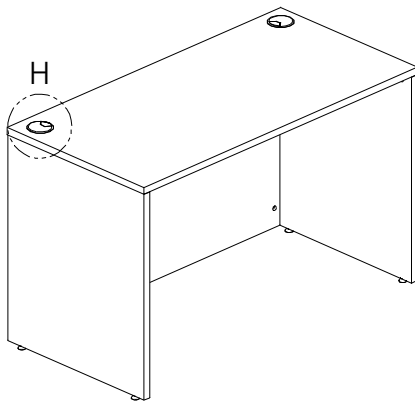
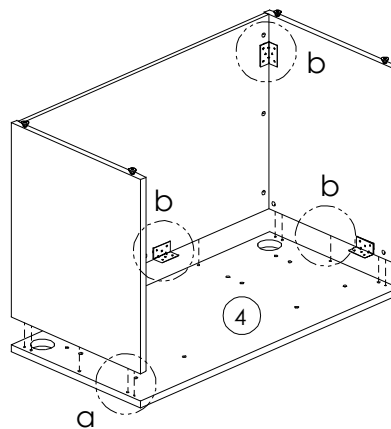
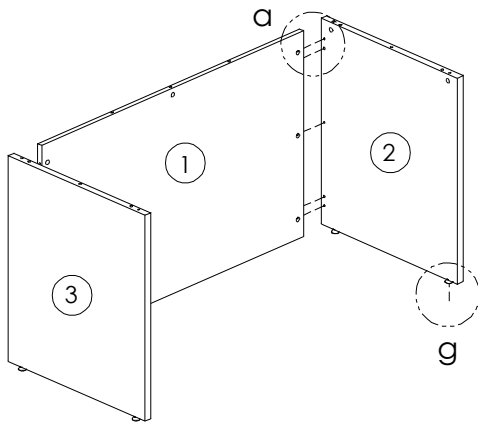
Customer Service  
US: 1-800-645-2986

Servicio de atención al Cliente  
US: 1-800-645-2986

Service à la clientèle  
Canada: 888-645-2986

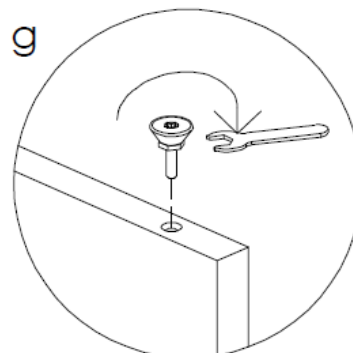
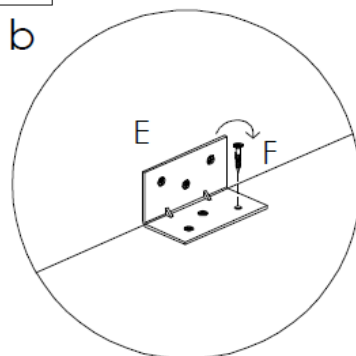
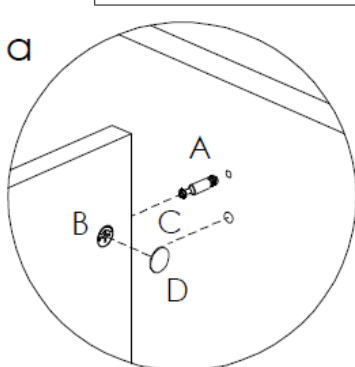
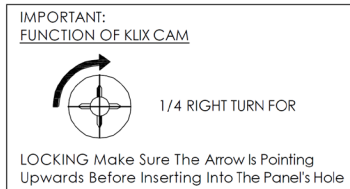
## Interion® Desk Shell

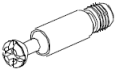



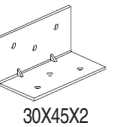

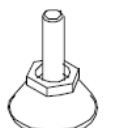


48"W x 24"D: 695931MH, 695931MC, 695931GY



### NOTE

- Do not use power drill in Part A.
- 2 people are required to assemble and move desk.
- Assemble laminate boards on a smooth surface, such as a rug or carpet, in order to prevent the board from being scratched.
- Inspect item carefully for missing parts or damage.
- Do not assemble if parts are missing or damaged.
- During assembly, keep hardware away from children.



Hardware & Tools		
Ref.	Qty.	Description
A	11	
B	11	
v	12	 M8X40
D	11	
E	5	 30X45X2
F	30	 #8X5/8
G	4	 M6X25
H	2	
I	1	 Wrench

# interion®

globalindustrial.com  
1.800.645.1232

Assembly Instructions

Instrucciones de Ensamblaje

Directives d'assemblage

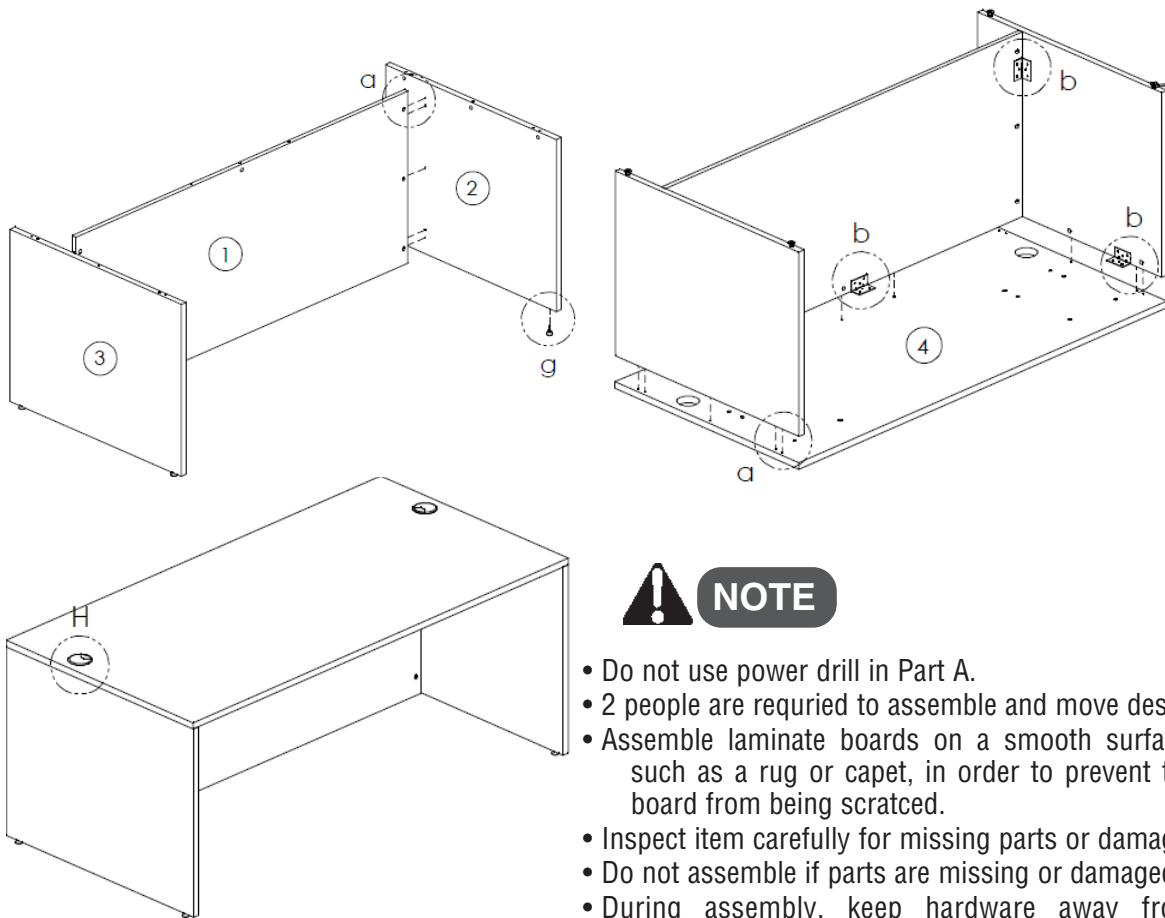
Customer Service  
US: 1-800-645-2986

Servicio de atención al Cliente  
US: 1-800-645-2986

Service à la clientèle  
Canada: 888-645-2986

## Interion® Desk Shell

60"W x 30"D: 695932MH, 695932MC, 695932GY



### NOTE

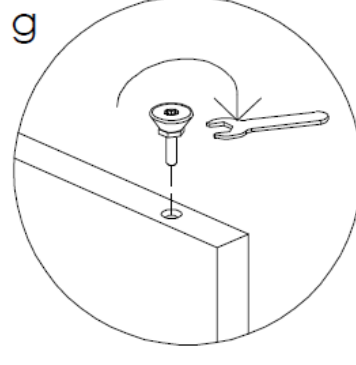
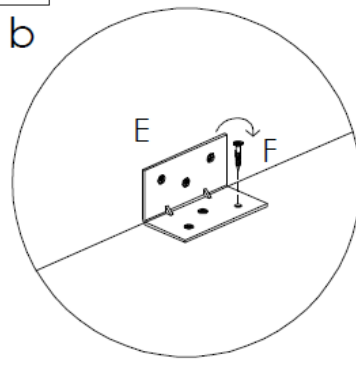
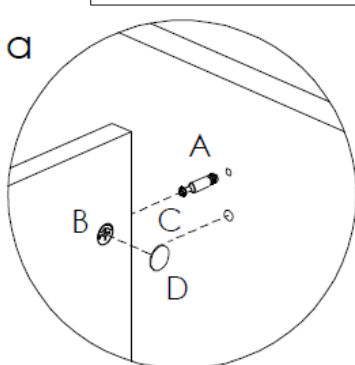
- Do not use power drill in Part A.
- 2 people are required to assemble and move desk.
- Assemble laminate boards on a smooth surface, such as a rug or carpet, in order to prevent the board from being scratched.
- Inspect item carefully for missing parts or damage.
- Do not assemble if parts are missing or damaged.
- During assembly, keep hardware away from children.

IMPORTANT:  
FUNCTION OF KLIX CAM



1/4 RIGHT TURN FOR

LOCKING Make Sure The Arrow Is Pointing Upwards Before Inserting Into The Panel's Hole



Hardware & Tools		
Ref.	Qty.	Description
A	13	
B	13	
v	10	 M8X40
D	13	
E	5	 30X45X2
F	30	 #8X5/8
G	4	 M6X25
H	2	
I	1	 Wrench

# interion®

globalindustrial.com  
1.800.645.1232

Assembly Instructions

Instrucciones de Ensamblaje

Directives d'assemblage

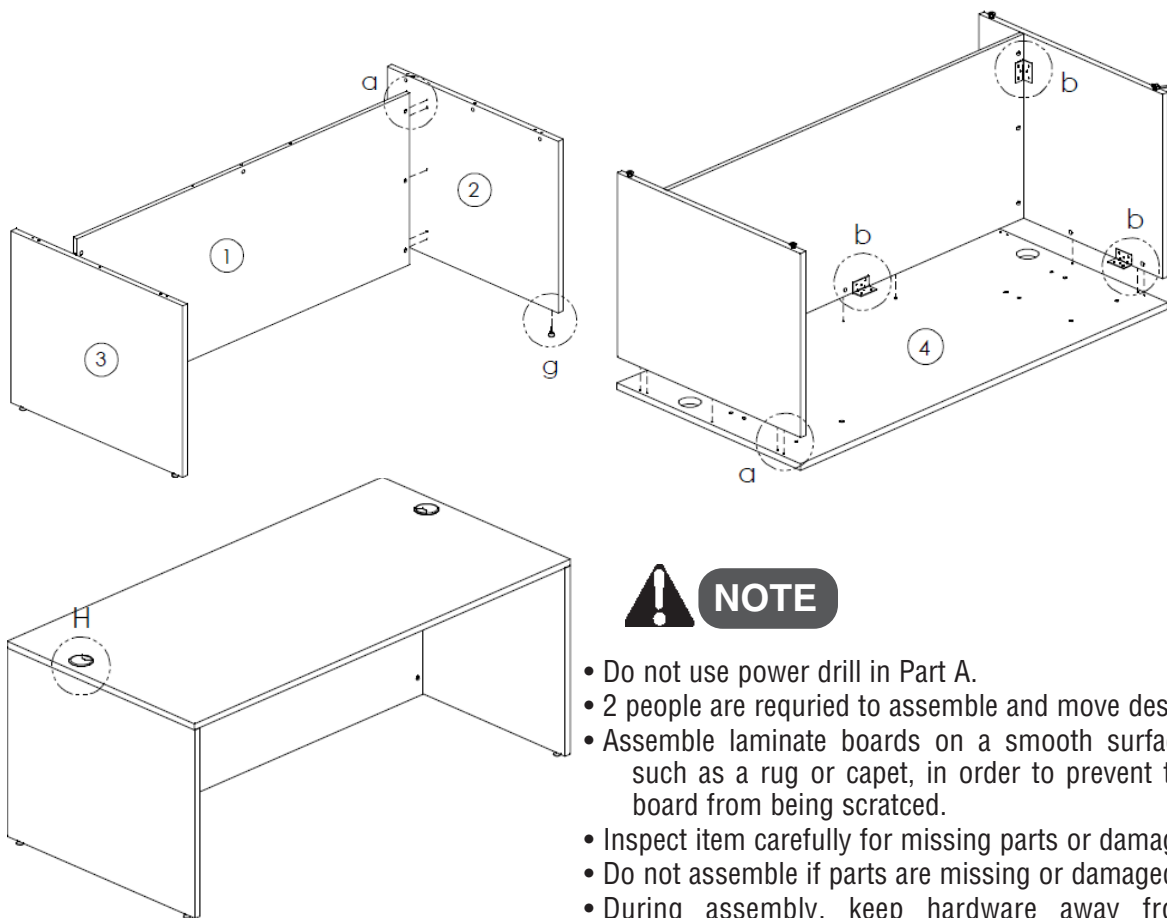
Customer Service  
US: 1-800-645-2986

Servicio de atención al Cliente  
US: 1-800-645-2986

Service à la clientèle  
Canada: 888-645-2986

## Interion® Desk Shell

71"W x 36"D: 695933MH, 695933MC, 695933GY



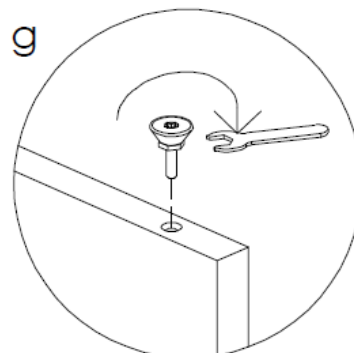
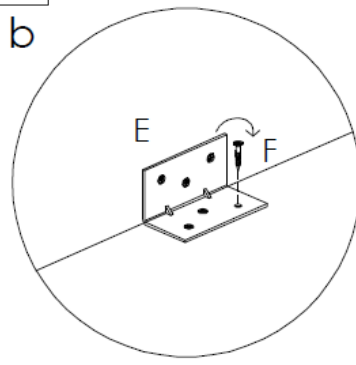
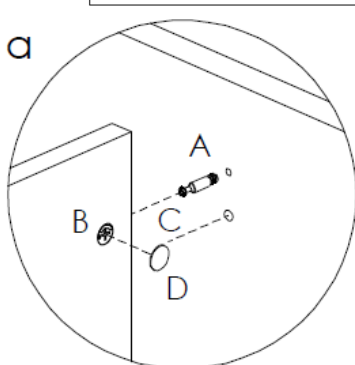
### NOTE

- Do not use power drill in Part A.
- 2 people are required to assemble and move desk.
- Assemble laminate boards on a smooth surface, such as a rug or carpet, in order to prevent the board from being scratched.
- Inspect item carefully for missing parts or damage.
- Do not assemble if parts are missing or damaged.
- During assembly, keep hardware away from children.

IMPORTANT:  
FUNCTION OF KLIX CAM



LOCKING Make Sure The Arrow Is Pointing Upwards Before Inserting Into The Panel's Hole



Hardware & Tools		
Ref.	Qty.	Description
A	13	
B	13	
v	10	 M8X40
D	13	
E	5	 30X45X2
F	30	 #8X5/8
G	4	 M6X25
H	2	
I	1	 Wrench