

3 Gallon Sharps Container

Global Industrial Item #: 732126
Oakridge Item #: 0330-1500



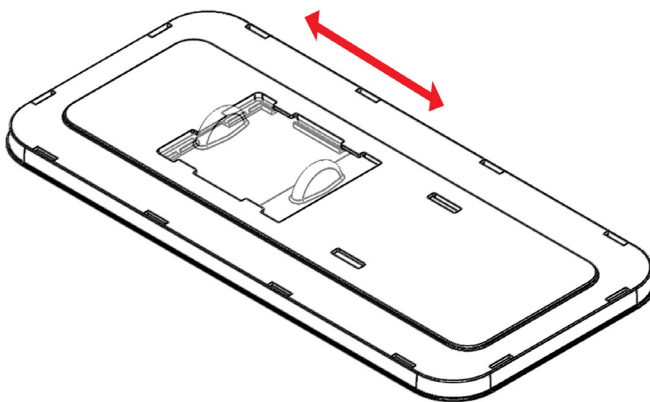
General Description

- Multi-purpose container suitable for OR and dialysis
- Sliding Door provides Temporary closure
- Locks for final Disposal
- Puncture resistant
- Made of high impact polypropylene
- Reinforced hinge as requested by FDA
- Meets all FDA, OSHA and NOSHA
- Use instructions on part label
- Comparable to Medegen 8710
- Fits Medegen Bracket 8786F

Packing Details

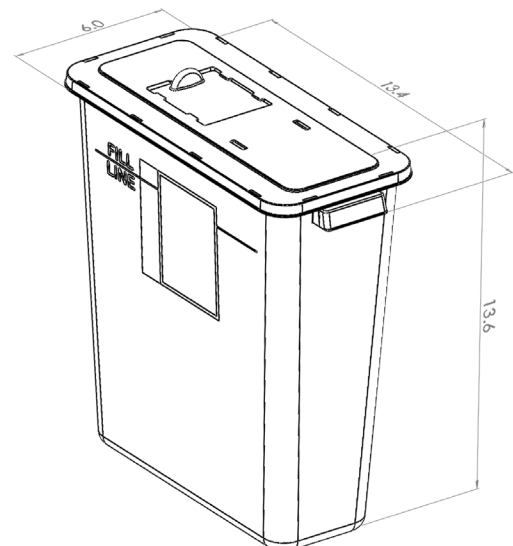
Part Dimensions:	6.0 x 13.4 x 13.6
Case:	12 each/case
Packaged:	Bulk, Nested
Case Dimensions:	22.00 x 11.00 x 14.50
Case Volume:	2.03 ft ³
Case Weight:	17 lbs
Cases per Skid:	40
Case GTIN#	10852482006516
Part GTIN#	00852482006526

Case measurements have a margin of error up to +/- .5 and are rounded to up to the nearest hundredth



Manufactured by Oak Ridge Products, LLC
FDA Manufacturing Facility Registration
#1419823 & 3006060667

 **GLOBAL**
INDUSTRIAL
We can supply that.®



Product dimensions listed are in inches and rounded to the nearest tenths