

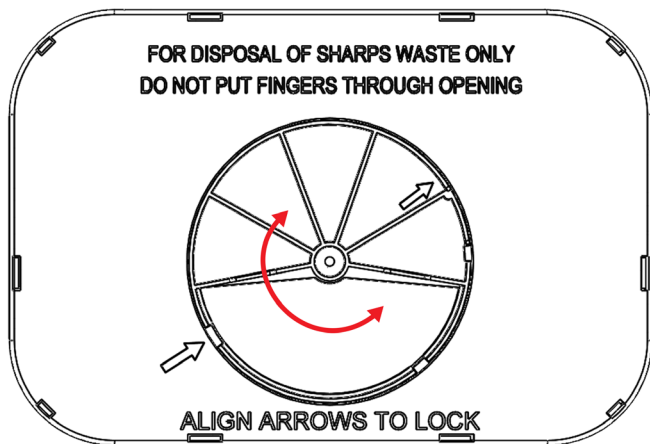
2 Gallon Rotary Lid Sharps

Global Industrial Item #: 732121
Oakridge Item #: 0320-150R



General Description

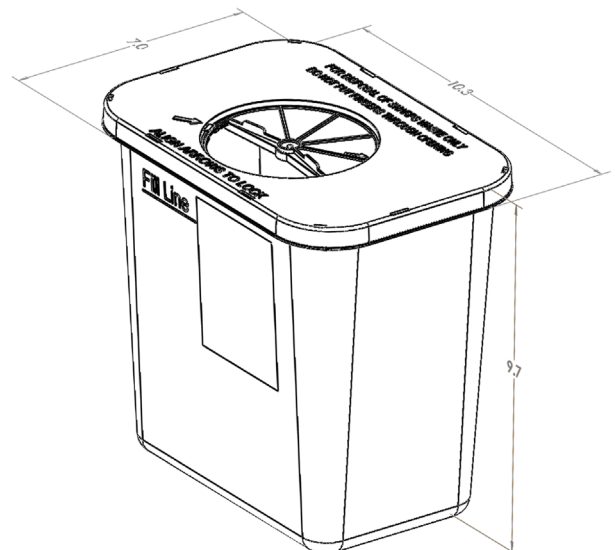
- Multi-purpose container suitable for OR and non-patient areas
- Rotating Door provides Temporary closure
- Locks for final Disposal
- 40% larger opening then comparable products
- Puncture resistant
- Made of high impact polypropylene
- Meets all FDA, OSHA and NOSHA use instructions on part label
- Comparable to Covidien 8970, 8990SA, 31142222
- Fits Covidien bracket 8963, 8975, 8974



Packing Details

Part Dimensions:	10.25 x 7 x 9.75
Case:	20each/case
Packaged:	Bulk, Nested
Case Dimensions:	21.00 x 15.00 x 16.00
Case Volume:	2.92 ft ³
Case Weight:	17.8 lbs
Cases per Skid:	30
Case GTIN#	10852482006592
Part GTIN#	00852482006595

Case measurements have a margin of error up to +/- .5 and are rounded to up to the nearest hundredth



Manufactured by Oak Ridge Products, LLC
FDA Manufacturing Facility Registration
#1419823 & 3006060667

GLOBAL INDUSTRIAL
We can supply that.®