

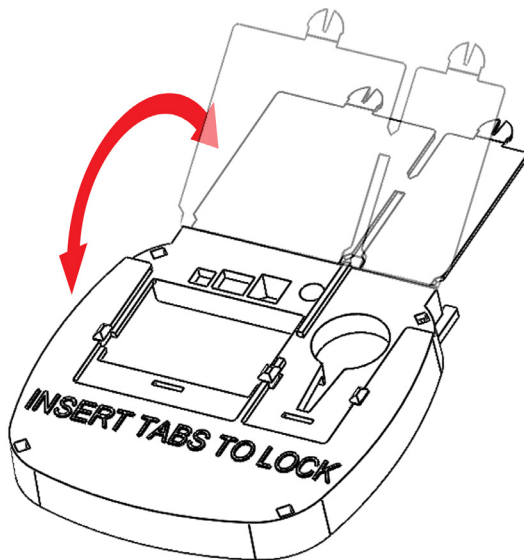
1 Quart Phlebotomy Sharps Container

Global Industrial Item #: 732118
Oakridge Item #: 0311-150F



General Description

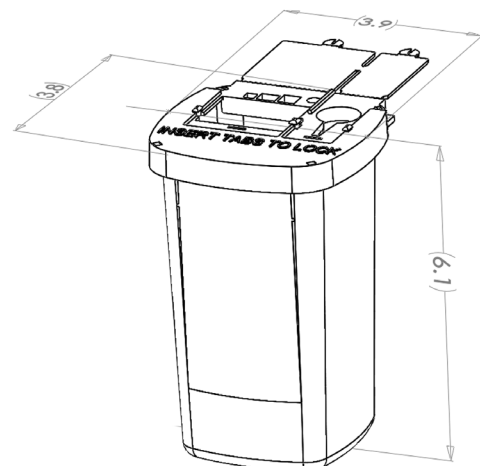
- Designed for use as a transportable Phlebotomy container
- Includes needle unwinder
- Puncture resistant
- Permanent lock for final disposal
- Made of High Impact Polypropylene
- Meets all FDA, OSHA, and NOSHA regulations
- Use instructions on part label
- Comparable to; Covidien 8900SA, BD 305635, Bemis 100300, Medegen 8702
- Fits Covidien holders: 8910, 8912SA



Packing Details

| | |
|------------------|-----------------------|
| Part Dimensions: | 3.9 x 3.8 x 6.1 |
| Case: | 100each/case |
| Packaged: | Bulk, Nested |
| Case Dimensions: | 20.00 x 15.00 x 18.50 |
| Case Volume: | 3.22 ft ³ |
| Case Weight: | 25 lbs |
| Cases per Skid: | 20 |
| Case GTIN# | 10852482006561 |
| Part GTIN# | 00852482006564 |

Case measurements have a margin of error up to +/- .5 and are rounded to up to the nearest hundredth



Manufactured by Oak Ridge Products, LLC
FDA Manufacturing Facility Registration
#1419823 & 3006060667