

Multifunctional Solar LED Flood Light Specification



PATENT

Product Name	5-in-1 Multifunctional Solar LED Flood Light
Model	EE-LD-SFL-10WP
Date	09/01/2021
Version	REV 1.0



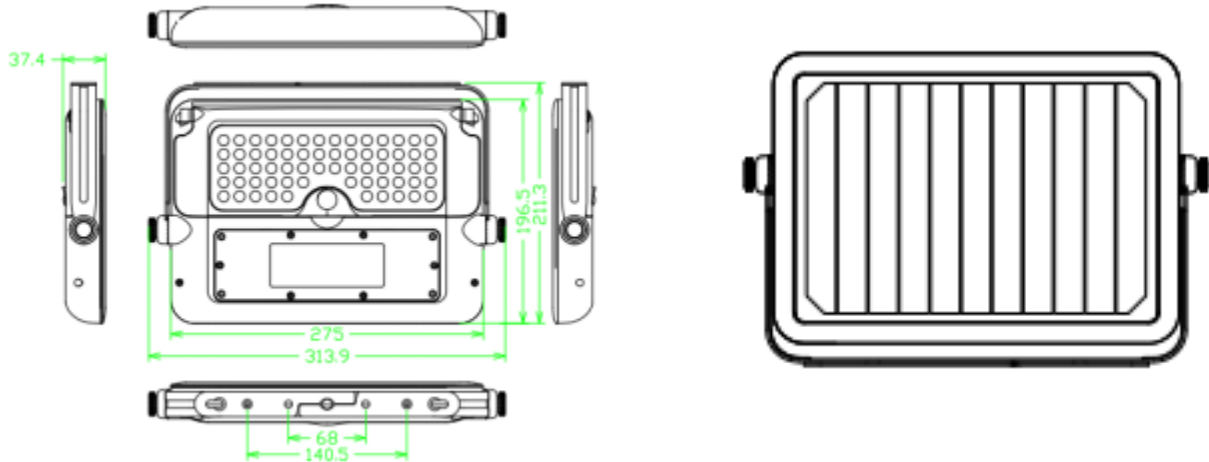
Features & Advantages

- Global patent design, light panel is flexibly fold-able, slim as a PAD.
- Bracket 360°adjustable, light panel 135°adjustable, fully realize your perspective of different lighting requirement.
- Digital PIR sensor detective against human movement, wide angle 120°detective, 8mts distance, high sensitivity.
- Adopt optical lens optimize light, not only make the light brighter, also anti-glare.
- Two working modes for different application /weathers.
- High quality mono-crystalline silicon solar panel, high conversion solar photo electricity, 20 years lifespan.
- High performance lithium battery, bigger capacity brings longer lifespan, also with over-charge and over-discharge protection, safe and durable.
- IP65 waterproof.
- Five in One multi functions: ① **Wall Mount** ② **Wall Hanging** ③ **Stand-able** ④ **Portable**⑤ **Pole Mount**

Product Image



Dimension



Specifications

Product Model	LD-SFL-10WPlus-LeadPad	Overall Dimension	313.9*211.3*37.4mm
Power	10W	Lumen	1150LM
Solar Panel	Mono-crystalline silicone 11V, 6Wp	Battery	3000mAh/7.4V/22.2Wh 18650 Lithium battery
Charging Time	6Hrs strong sunshine to fully charged	Working Time	Sensor Mode: 5night+ (based on 100 times detection/day) Keep Lighting Mode: 6-8 hours
LED Type	SMD 2835*64pcs	PIR Sensor Range	Detection Angle: 120° Detection Distance: ≤8Mtrs
Surface Color	Black	Beam angle	90°
IP Class	IP65	Working Temp	-20C° - 50C°
Housing Material	ABS+PC+Metal	Warranty	24 months (battery warranty 12 months)
Packing	Color Box Package (1*Solar Light, 1*Accessory Bag, 1*Measure Card, 1* User Manual)		

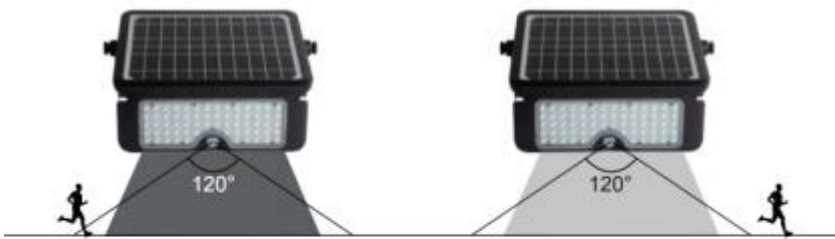
Working Modes:



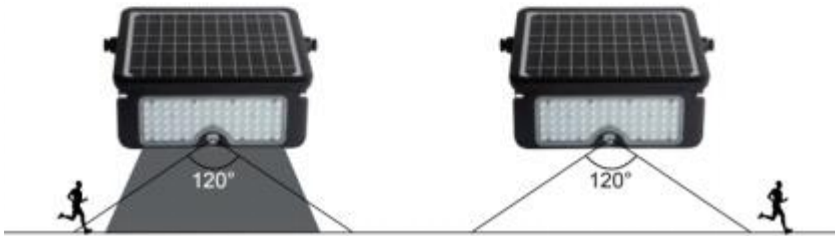
On/Off/Select Work Mode

Press the button, lamp will automatically turn on to Sensor Mode.

Sensor Mode



When battery capacity above >30%
Automatically turns on to full brightness when motion is detected in the range ≤ 8 mtrs, then dim to lower brightness in 20 seconds of no motion.



When battery capacity below <30%
Automatically turns on to full brightness when motion is detected in the range ≤ 8 mtrs, then turns off in 20 seconds of no motion.

Keep Lighting Mode



Press the button for 3 seconds and shining one time, lamp turns to Keep Lighting Mode, both motion and light sensors disabled.

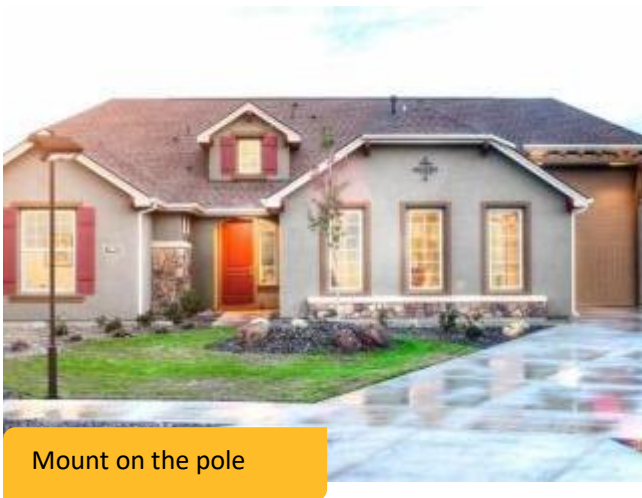
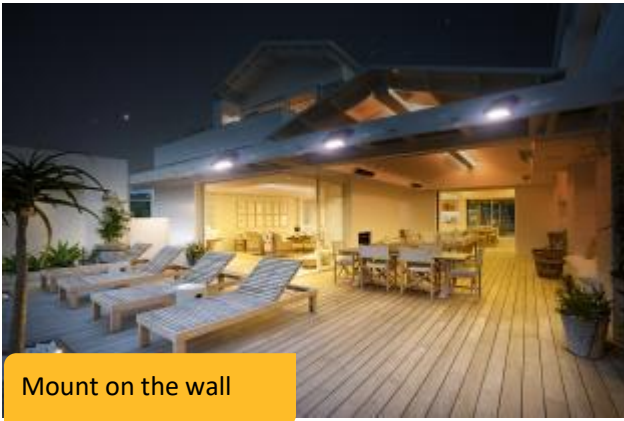
Permanently keep lighting until the battery capacity reduces to zero switching back to Sensor Mode.

Applications

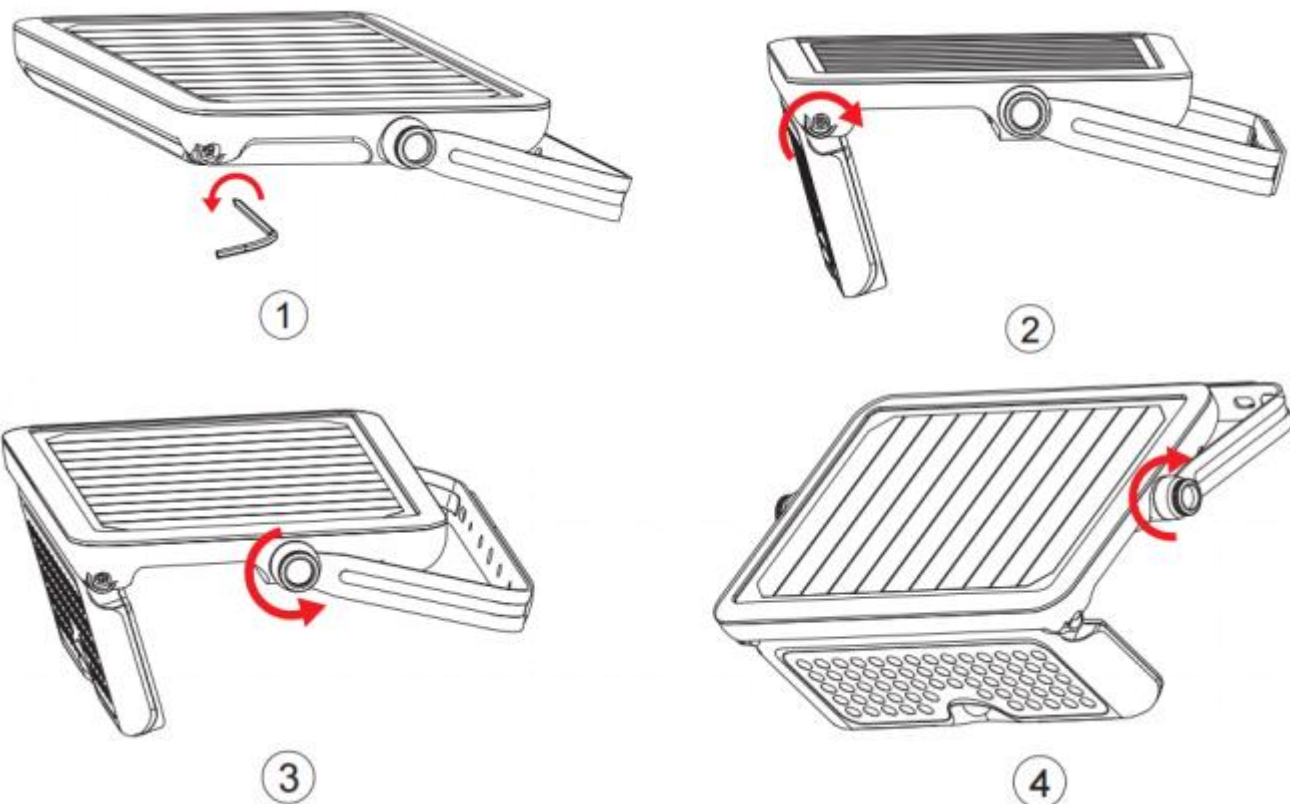
With flexible installations, this lamp can be used as wall light, floodlight, work light, portable, flashlight, camping light, pole light etc.

Widely used for garden, square, villa, yard, holiday resort, swimming pool, parking lot, pathway, entrance, billboard, industrial park, bus station etc.

SYSTEMS GROUP, INC.



Installations



1. Prepare lamp, accessories and tools well firstly.

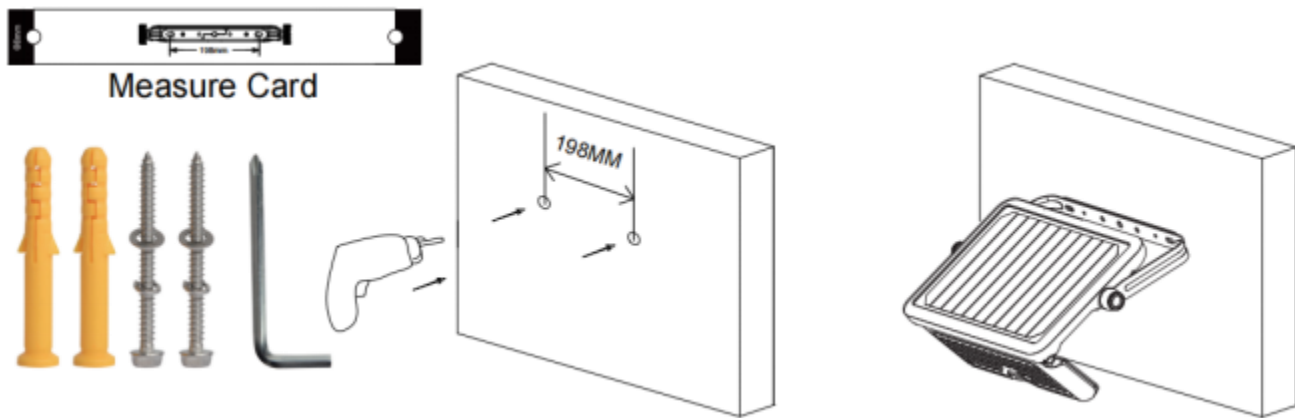
2. Use Allen wrench to loosen the light panel and adjust it to the demanded lighting angle(see picture ①), then fix the screw tightly(see picture ②).

3. Rotating the screw to loosen the bracket (see picture ③) , adjust it to the appropriate angle and then fix the screw tightly(see picture ④).

Installation A: Wall Mounted

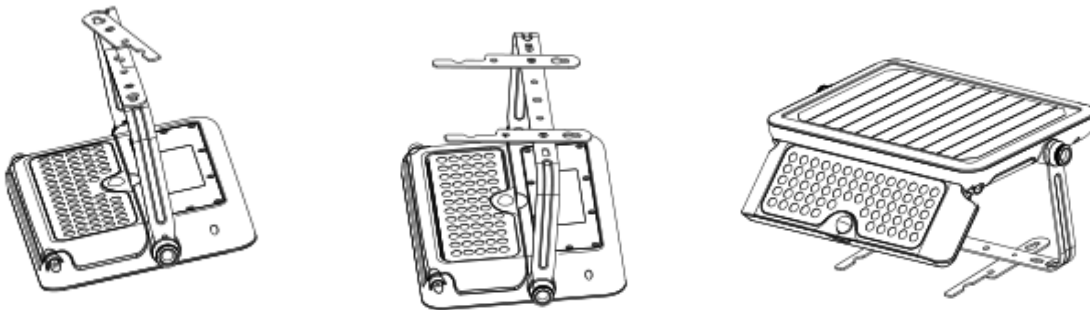
Please use the measure card to drill 2 holes of $\Phi 8\text{mm}$ with a spacing of 198mm, then fix the lamp onto the wall with expansion plugs and screws.

* The recommended mounting height is 3-4Mtrs.



Installation B: Put on flat surface directly

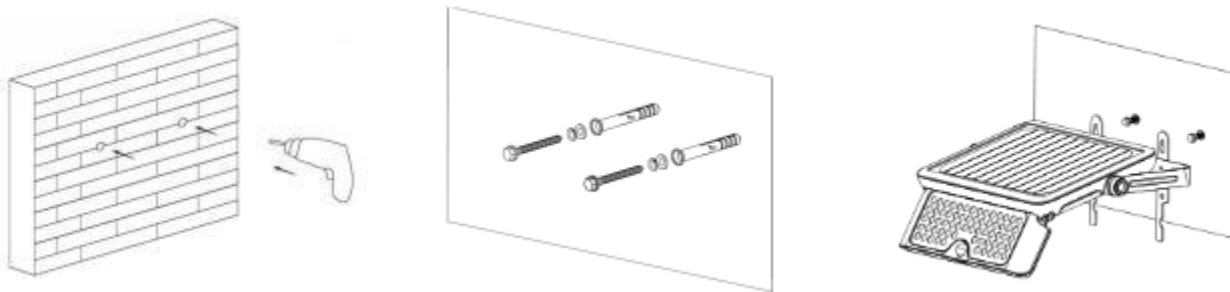
Push aside the stand bracket and put it on a flat surface.



Installation C: Hanging on the wall

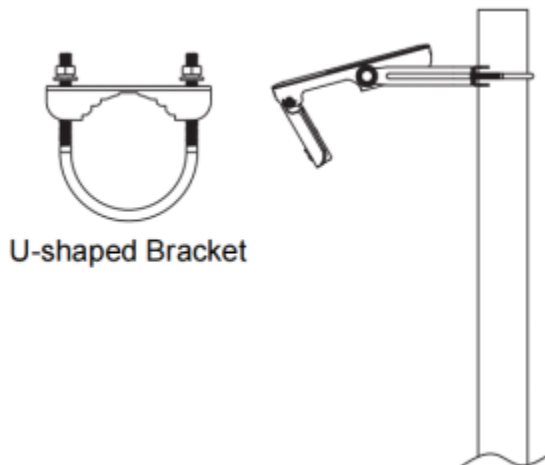
- ① Please drill 2 holes of $\Phi 8\text{mm}$ on the wall with a spacing of 140.5mm. (see picture ①)
- ② Fix the expansion plugs and screws into the holes with a spare space (do not lock the bottom). (See picture ②)
- ③ Push aside the stand bracket, align the hanging holes to the screws and hang the lamp on the wall. (see picture ③)

* The recommended hanging height is less than 2Mtrs.



Installation D: Pole Mounted

Remark: The accessories for the pole mounted not including in the package, can be provided on extra request.



U-shaped Bracket

Please use 2pcs U-shaped bracket to mount the lamp onto the pole.

This installation is workable for both round light pole (diameter $\Phi 40\sim 60\text{mm}$) and square light pole (diameter $\Phi 30\sim 40\text{mm}$).

Remark

1. This is a solar powered lamp, please install it in a location where can get enough sunshine.
2. Please note the lighting time depends on sunshine duration & weather & work mode.
3. Recommended installation height is $\leq 4\text{Mtrs}$.
4. The lamp is equipped with an internal battery pack, which is replaceable.



SYSTEMS GROUP, INC.

If any need, please contact seller for correct new battery pack.

5. If the battery is taken out and put back in or replaced with new ones, please toward the solar panel to sunshine or a strong light to activate the lamp.
6. Non-professionals please do not disassemble the lamp.
7. Please do not dispose the battery with household garbage to avoid explosion.