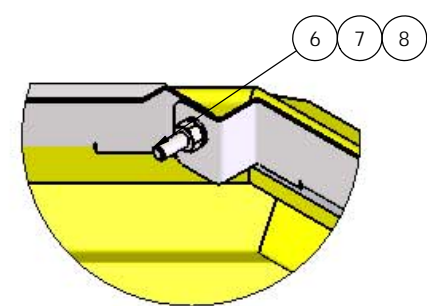
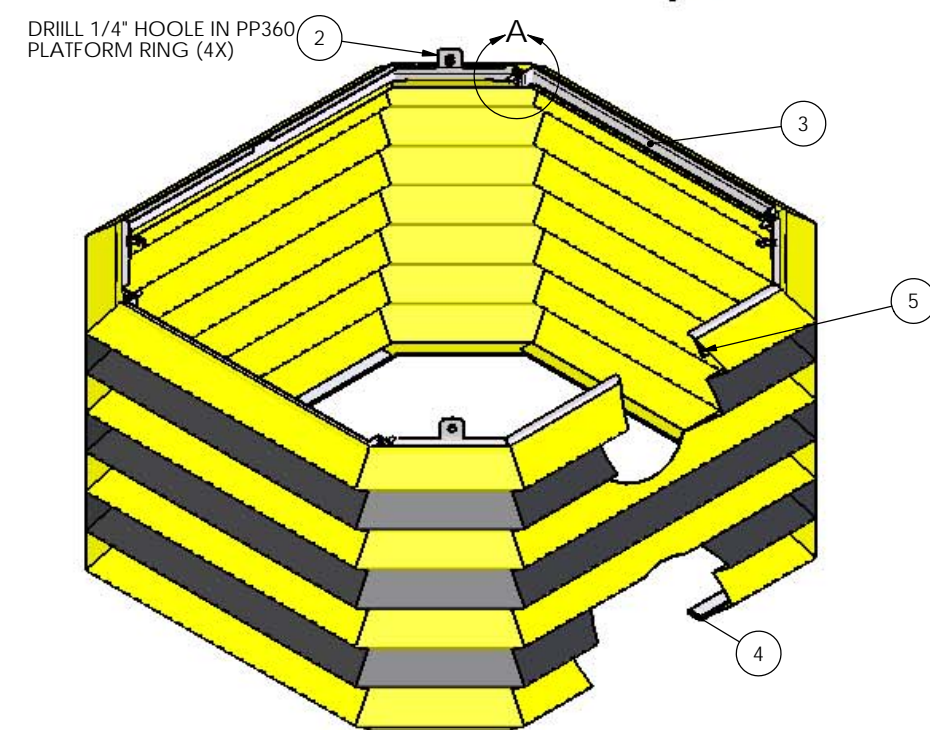
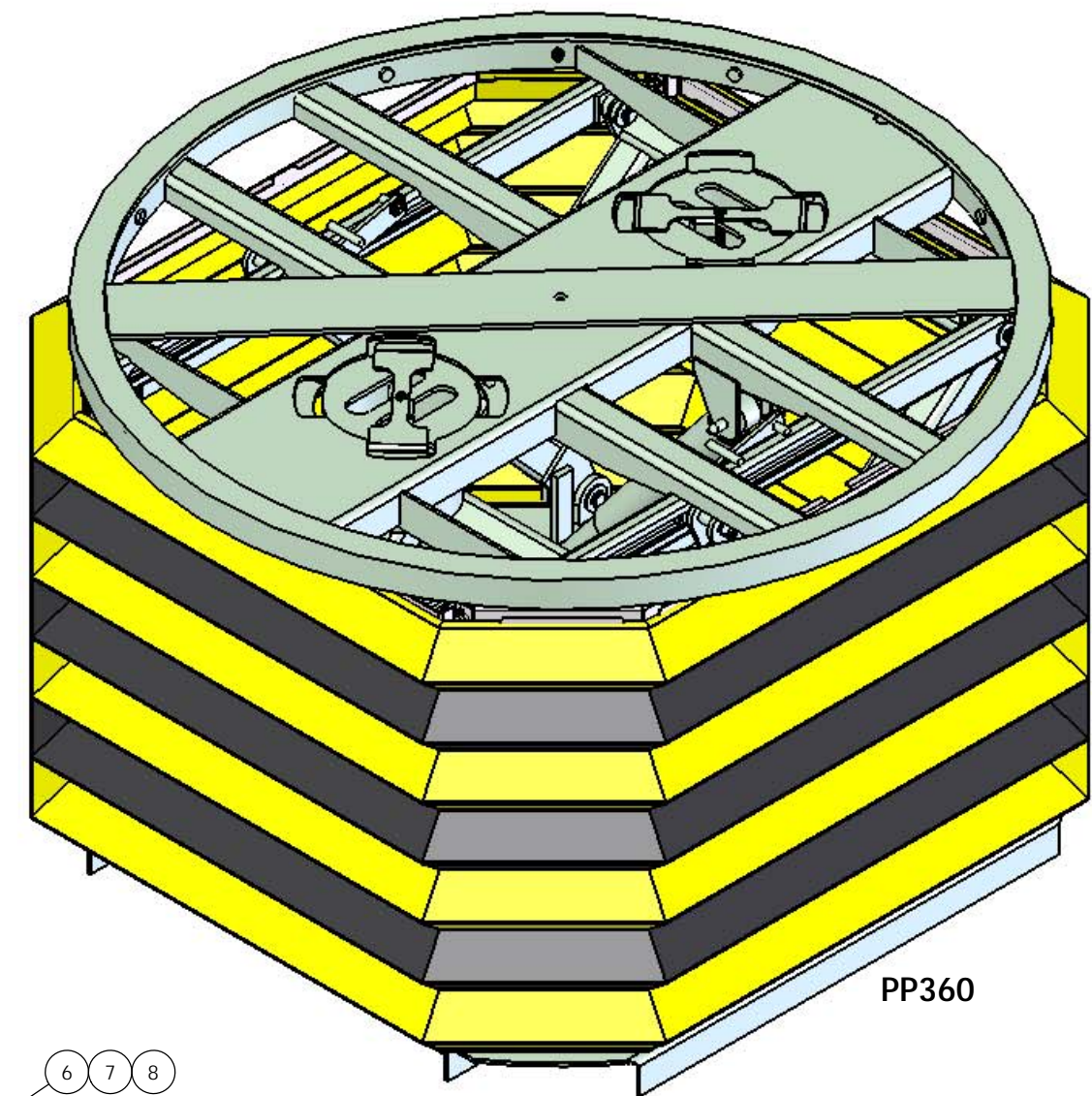
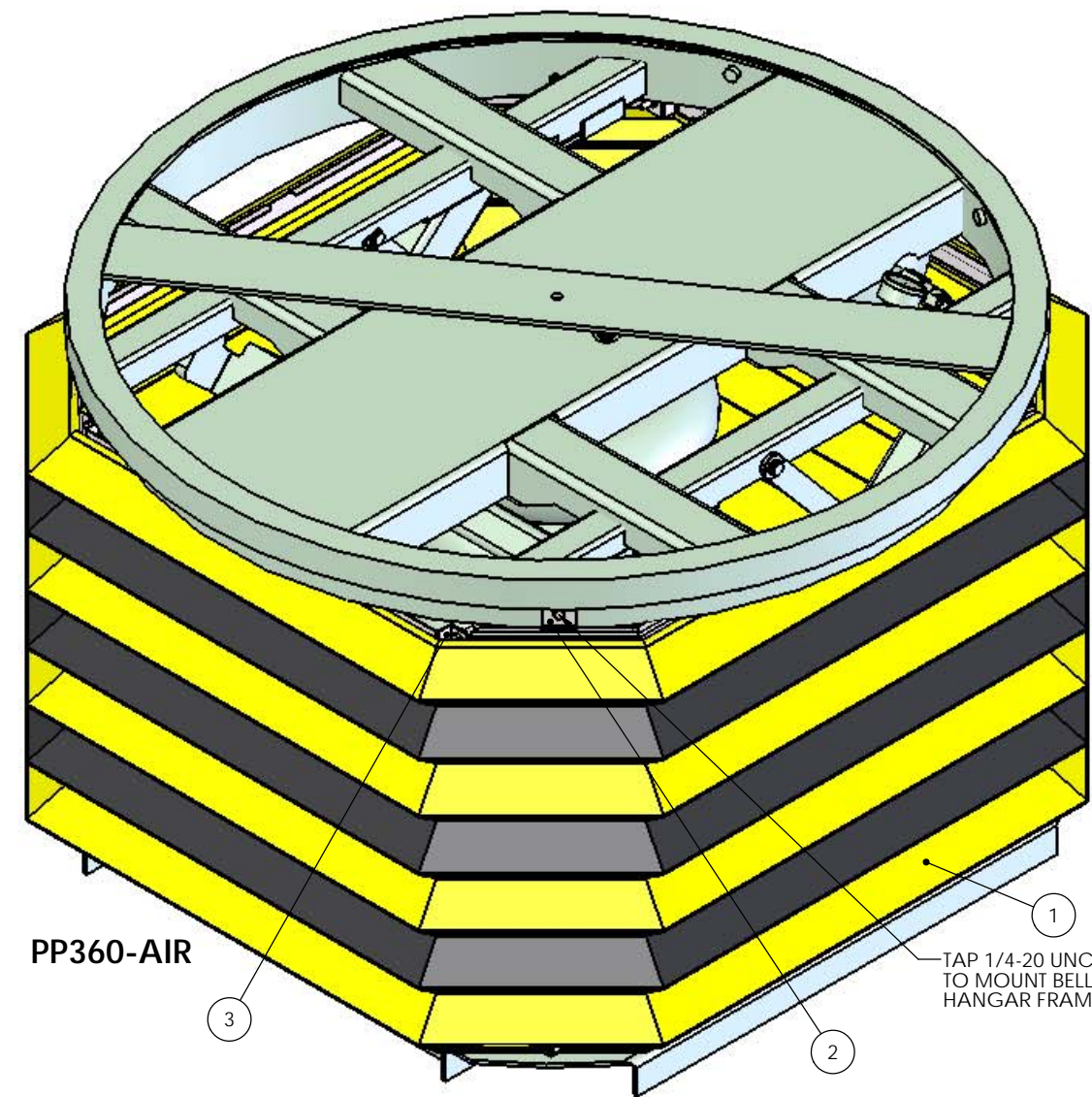


REVISIONS				
REV.	DESCRIPTION	DATE	REVISED BY	ECO #
A	ADDED CUTAWAY VIEW, DETAIL, AND NOTES FOR INSTALLATION	10/31/2014	KRL	
B	ITEM 6 WAS 2315973; 8 WAS QTY 4	10/27/2016	SMS	R11185



- BOLT ITEMS 2 AND 3 TOGETHER.
- ITEM 4 TO BE USED IN THE LOWER POCKET IF THE BELLOWS GUARD.
- ITEM 5 TO BE USED IN THE UPPER POCKET OF THE BELLOWS GUARD.
- CUT ITEM 5 AS REQUIRED.

ITEM NO.	QTY.	U/M	DESCRIPTION	PART NO.
8	8	EA	BK-HA NUT HEX STL .25-20	2340600
7	8	EA	BK-HA WSHR LCK-SPT STL .25	2340484
6	8	EA	HA SCREW HHCS STL .25-20X1.00 FULL	10052711
5	10.5	FT	MCP MCMCAR 7701T91 .12X1 UHMW STRIP FT	10058852
4	4	EA	MCP FB HRS .12X1.00X23.00	2966884
3	2	EA	MMP SHT HRS 16GA 2.00X24.00 BGD MT	10064304
2	2	EA	MMP SHT HRS 16GA 2.00X35.45 BGD MT	10064303
1	1	EA	ACS BGD 2.50 40.00X42.00 VL BLK/YEL	10064302

Released	3RD ANGLE PROJECTION	FRACTIONS: ± 1/XXX, ± .005; ANGLES: ± .01, ± 5°	UNLESS OTHERWISE SPECIFIED, DIMENSIONS ARE IN INCHES		SOUTHWORTH PRODUCTS CORP.		DR	SMS	DATE	09/19/12
			PROJECT: 66873	USE OF PROPRIETARY INFORMATION LIMITED TO WRITTEN AGREEMENT	REFERENCE: 60037833	CAGE CODE: 06328	WT: -LB	SCALE: 3:16	MODEL:	DATE
TITLE: ACS BGD KIT VL PP360/AIR							C	60042070		B
							SIZE	DWG. NO.		SHEET 1 OF 1

**THIS DRAWING MUST BE AT REVISION: 'B'**