



Since
1993

CLEAR WALL SEPARATOR



www.mtdisplays.com

Now you can divide your room in sections with unobstructed views!

Use clear wall separator when you need to control or contain an area but still allow you to restrict access and also see what is beyond the barrier. Portable see through clear dividers are perfect for a variety of applications and for a number of settings.

- It is non-yellowing, lightweight and highly impact-resistant.
- For added durability, our translucent wall panels are fixed to the anodized extruded aluminum channels with a silicone wick.
- Since the 2020 pandemic started, clear wall dividers will be a crucial tool for managing the spread of COVID-19 and other infectious diseases in several facilities.
- When used as Check-In Barrier, they are perfect for any medical facility right at the reception area. In hospitals, primary care facilities, and dentist offices, clear room dividers act as a line of defense from infectious diseases spreading to either medical staff or patients.
- The transparent barrier allows communication to continue on either side of the partition as well. If there are multiple patients at reception, the Clear Dividers can act as a sneeze guard and also a form of crowd control between people.
- Since these dividers are freestanding and portable, they can easily be moved to different areas of the facility as needed.
- They are stackable, taking less space when not used.
- Rolls on leveling casters optional or can be fixed on ground by using the holes on the feet.
- Panel Material: Durable 1mm clear PET, fire rated B2 (DIN EN ISO 11925-2 & DIN EN 13823)
- Frame Material: Extruded and anodised aluminum
- Frame Finish: Black powder-coat paint, silver anodised or white powder-coat paint
- Easy to clean. Clean with substances that contain alcohol.
- Simple assembly in few minutes by single person. Installation can be undertaken by any member of staff without specialist tools or know-how.



Sturdy packing



Wall Separator

Feets

Color options

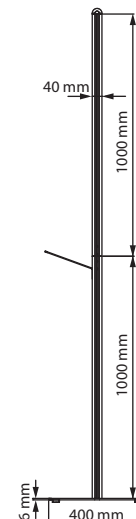
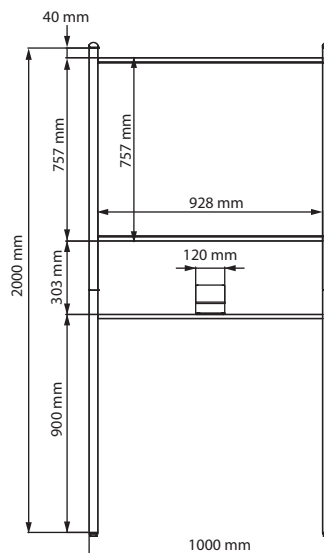
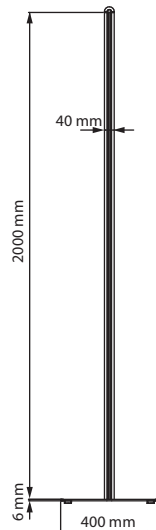
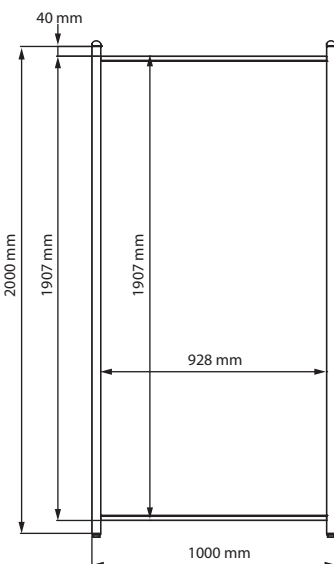


Silver White Black



Stackable separator

ARTICLE	SIZE	DESCRIPTION	WEIGHT (with packing)	PACKING SIZE (wxhxd)
UHCWSN0010	940 X 1890 mm	Clear Wall Separator / Silver	10,900 kg	1080 X 2070 X 85 mm
UHCWSN1010	940 X 740 mm	Clear Wall Separator with Bracket / Silver	8,200 kg	1070 X 1140 X 85 mm
UHCWSN1020	940 X 740 mm	Clear Wall Separator without Bracket / Silver	7,920 kg	1070 X 1140 X 85 mm
UHCWSB0010	940 X 1890 mm	Clear Wall Separator / Black RAL 9005	10,900 kg	1080 X 2070 X 85 mm
UHCWSB1010	940 X 740 mm	Clear Wall Separator with Bracket / Black RAL 9005	8,200 kg	1070 X 1140 X 85 mm
UHCWSB1020	940 X 740 mm	Clear Wall Separator without Bracket / Black RAL 9005	7,920 kg	1070 X 1140 X 85 mm
UHCWSW0010	940 X 1890 mm	Clear Wall Separator / White RAL 9010	10,900 kg	1080 X 2070 X 85 mm
UHCWSW1010	940 X 740 mm	Clear Wall Separator with Bracket / White RAL 9010	8,200 kg	1070 X 1140 X 85 mm
UHCWSW1020	940 X 740 mm	Clear Wall Separator without Bracket / White RAL 9010	7,920 kg	1070 X 1140 X 85 mm



Clear Wall Separator Introduction



Clear Wall Separator Assembly



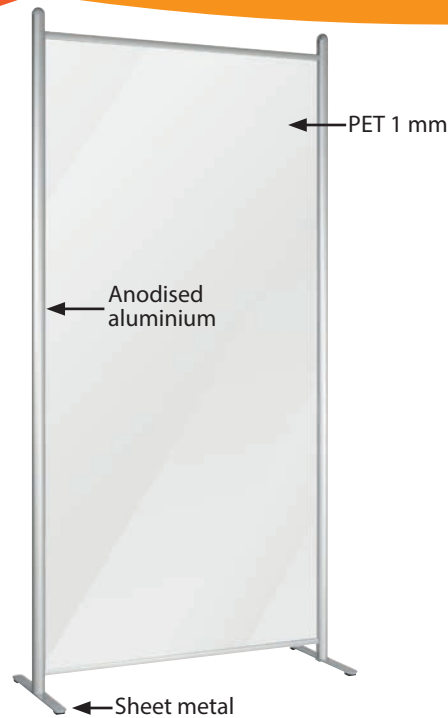
Feet options



Clear Wall Separator
Black RAL 9005



Clear Wall Separator with
Bracket White RAL 9010



Clear Wall Separator
Black RAL 9006



Ground fixing hole



Soft foot



Lockable wheels



Small Feet Option
for narrow spaces

Other products to add on Clear Wall Separator



Sanitizing
Dispensers Vol1



Sanitizing
Dispensers Vol2



Box Dispenser
Bracket



Pump & Wipe Dispenser Bracket



Brochure Holder

BRACKETS	DESCRIPTION	WEIGHT (with packing)	PACKING SIZE (wxhxd)
UMSDA105A4	A4 - 8.5"X11" Brochure Holder (5 Pcs)	1,200 kg	225 X 250 X 265 mm
UMSDA100A5	A5 Brochure Holder (5 Pcs)	0,720 kg	175 X 230 X 175 mm
UMSDA10A43	A4/3 Brochure Holder (5 Pcs)	0,530 kg	125 X 230 X 175 mm
UYPFSPN000	Pump & Wipe Dispenser Bracket	0,850 kg	135 X 290 X 135 mm
UYPFBN000	Box Dispenser Bracket	0,700 kg	150 X 290 X 135 mm
UFSD001001	Sanitizing Dispensers 500 ml. (without jel) - Vol 1	0,650 kg	130 X 340 X 220 mm
UFSD002001	Sanitizing Dispensers 1000 ml. (without jel) - Vol 1	0,900 kg	145 X 375 X 220 mm
UFSD002A01	Sanitizing Dispensers 1000 ml. (without jel) - Vol 2	0,700 kg	135 X 420 X 180 mm



Pump
Dispenser

Dispenser
Box

QUE
HERE

Brochure
holder

Sanitizer
Dispenser
Vol2

Clear Wall Separator / Silver

Clear Wall Separator
with Bracket / Silver

Different Applications of Clear Wall Separator

Wheels



UYPHCWS010
4 (pcs)

90° Connector kit



UYPHCWS030 / Silver
UYPHCWSB30 / Black

Wall Clips



UYPHCWS040 / Silver
UYPHCWSB40 / Black
UYPHCWSW40 / White

Flat Connector



UYPHCWS020



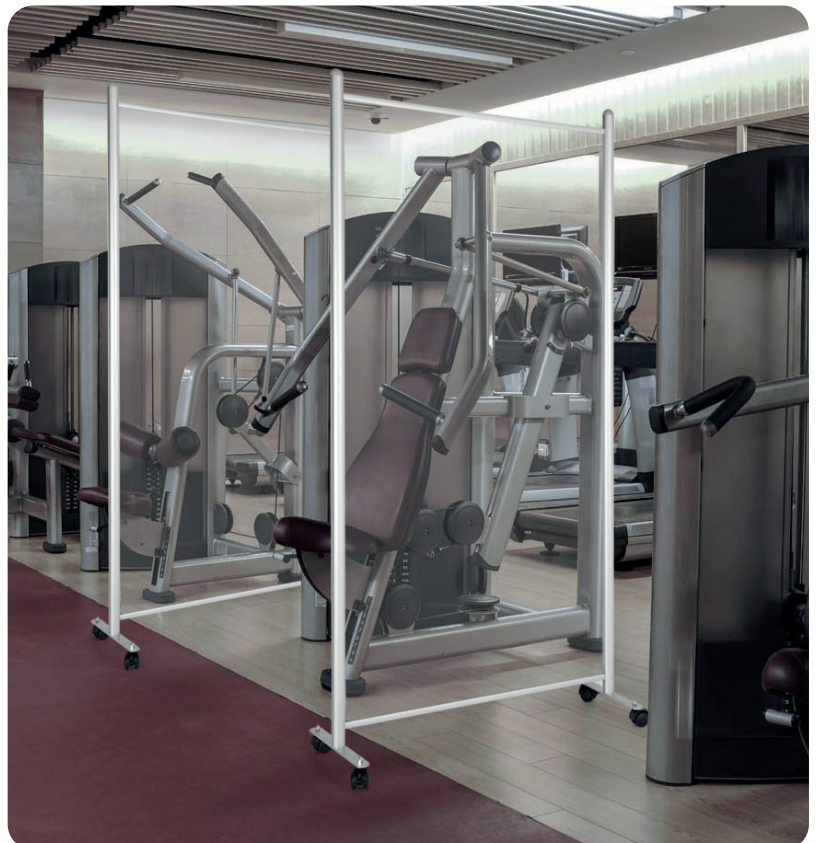
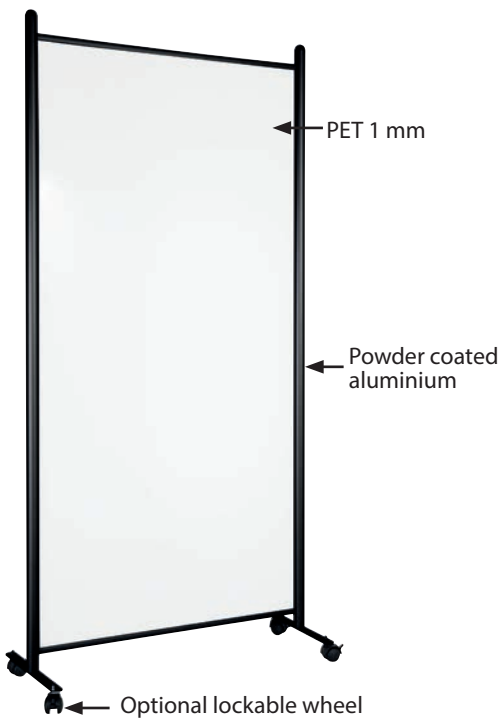
Wheels



Parts included in the pack:

- 4 x Wheels
- 1 x 13 Spanner
- 1 x 14 Spanner

ARTICLE	DESCRIPTION	WEIGHT (with packing)
UYPHCWS010	Wheels (4 Pcs)	0.525 kg



90° Connector Kit

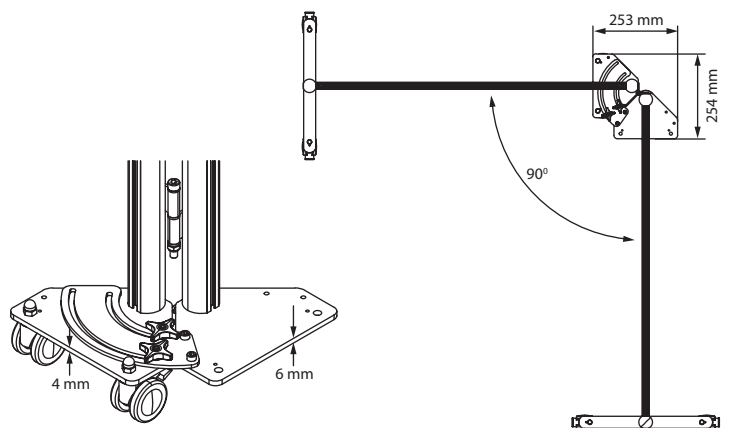


Parts included in the pack:

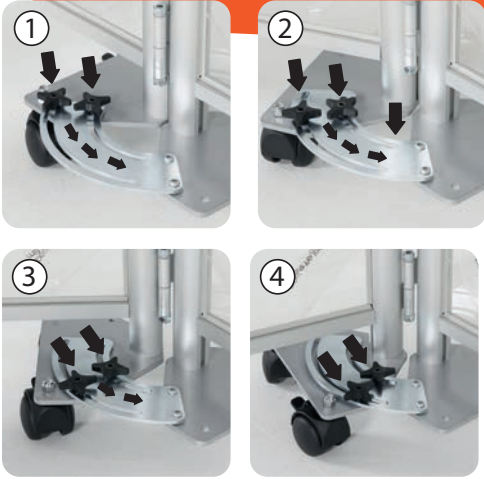
- 2 x Wall separator base
- 2 x Wheels
- 1 x Elephant feet
- 3 x Hinges
- 1 x Half-moon bracket
- 2 x Clover head bolt
- 1 x 4 Allen key
- 1 x 3 Allen key
- 4 x Plastic washer
- 2 x Bolt M6x15
- 1 x 13 Spanner
- 1 x 14 Spanner



ARTICLE	DESCRIPTION	WEIGHT (with packing)	PACKING SIZE (wxhxd)
UYPHCWS030	Connector Kit for Clear Wall Separator / Silver	2,900 kg	160 X 250 X 90 mm
UYPHCWSB30	Connector Kit for Clear Wall Separator / Black	2,900 kg	160 X 250 X 90 mm



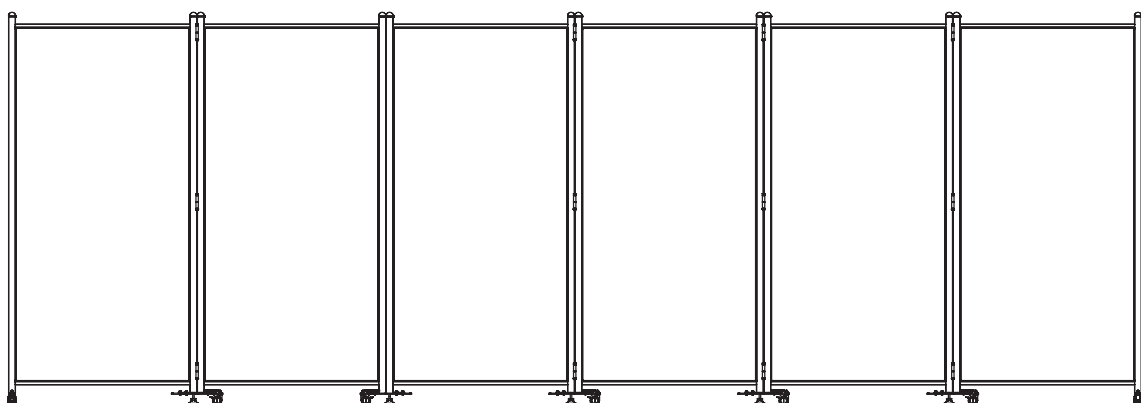
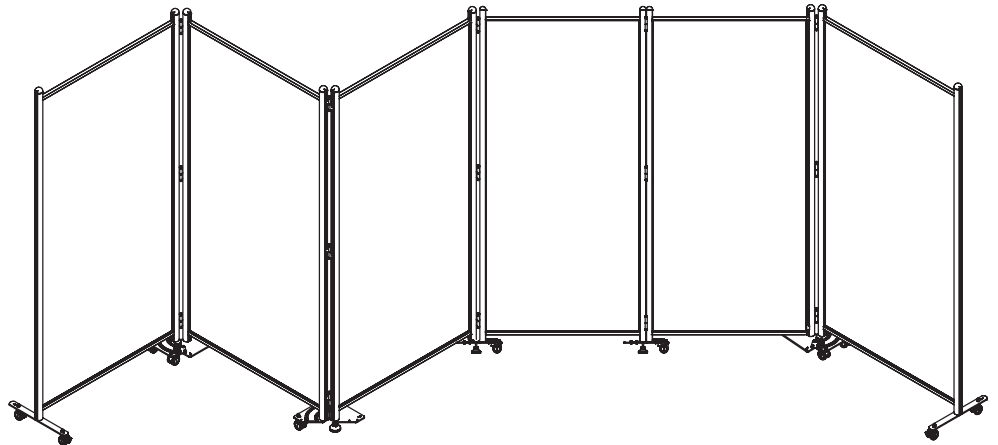
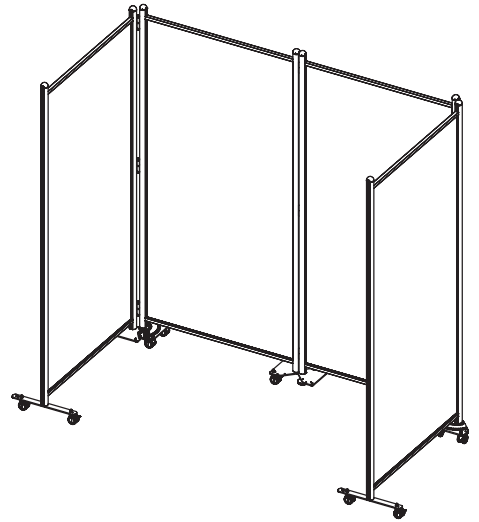
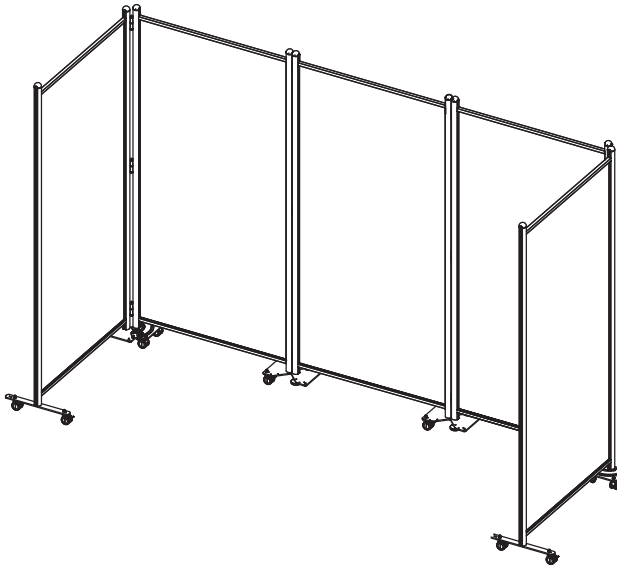
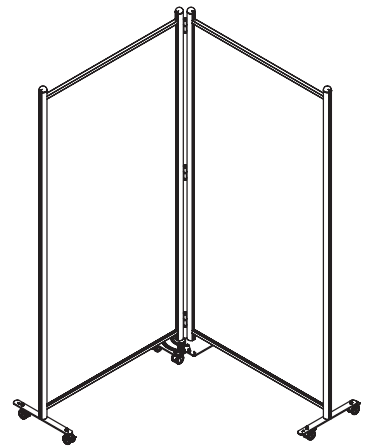
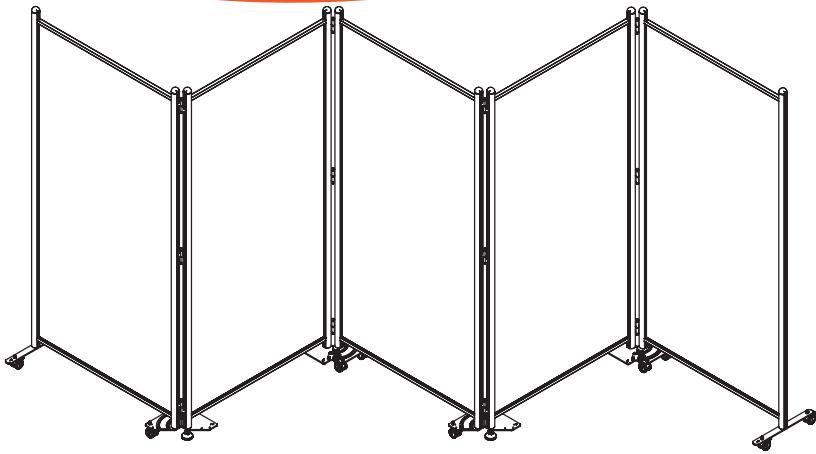
Adjusting the angle of the Clear Wall Separator



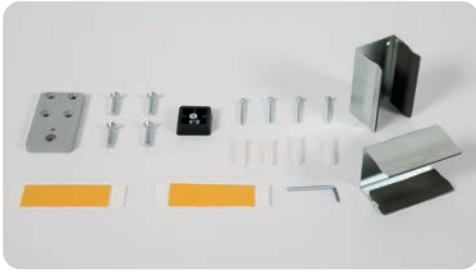
Adjustable 90° to 180°



Set up safe spaces with different applications



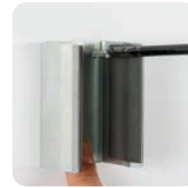
Wall Clips



Parts included in the pack:

- 2 x Wall clips
- 1 x Bracket 40x75x6 mm
- 1 x Soft foot
- 2 x Double Sided Tape 70x25x1 mm
- 4 x Screw
- 4 x Wall plug
- 4 x Bolt M2x25
- 1 x 3 Allen key

Mounting options



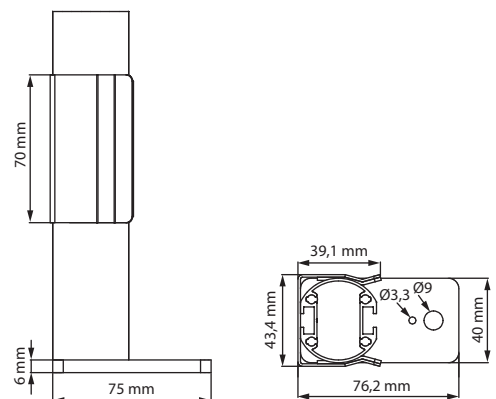
Wall plug mounting



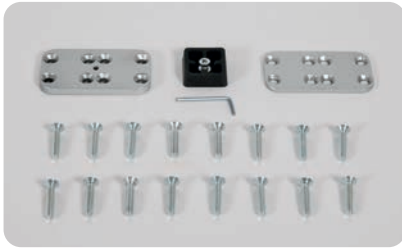
Double sided tape mounting



ARTICLE	DESCRIPTION	WEIGHT (with packing)	PACKING SIZE (wxhxd)
UYPHCWS040	Wall Clips for Clear Wall Separator	0,400 kg	80 X 100 X 70 mm



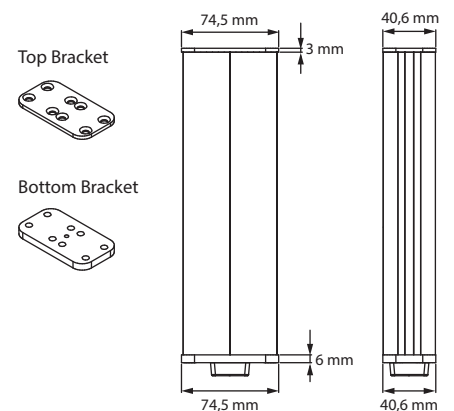
Flat Connector



- Parts included in the pack:**
 1 x Top connector 41x75x3 mm
 1 x Bottom connector 41x75x6 mm
 16 x Bolt Imbus HB M5x25
 1 x Soft foot
 1 x 3 Allen key



ARTICLE	DESCRIPTION	WEIGHT (with packing)
UYPHCWS020	Flat Connector for Clear Wall Separator	0,250 kg





Since
1993



www.mtdisplays.com

MT DISPLAYS FACTORY

Şekerpınar Cumhuriyet Mahallesi,
Selin Sokak No:1 41400
Çayırova / Kocaeli - TURKEY
T: +90 262 658 88 80 (Pbx)
F: +90 262 658 19 85
info@mtdisplays.com.tr
www.mtdisplays.com

MT DISPLAYS KFT

Hungary, 2071 Páty, Prologis
Park Budapest M1, DC2 épület
T: +36 23 814 - 050
info.hungary@mtdisplays.com.tr
www.mtdisplays.com

MT DISPLAYS LLC

1081 Hanover St, Wilkes-Barre,
PA 18706, USA
T: +1 855-478-0652
+1 855-478-0363
info@mtdisplaysllc.com
www.mtdisplaysllc.com

www.displayshowroom.com

www.omni-frame.com

www.mtplastech.com

www.opti-frame.com

www.displayacademy.com



01-10/2020

