



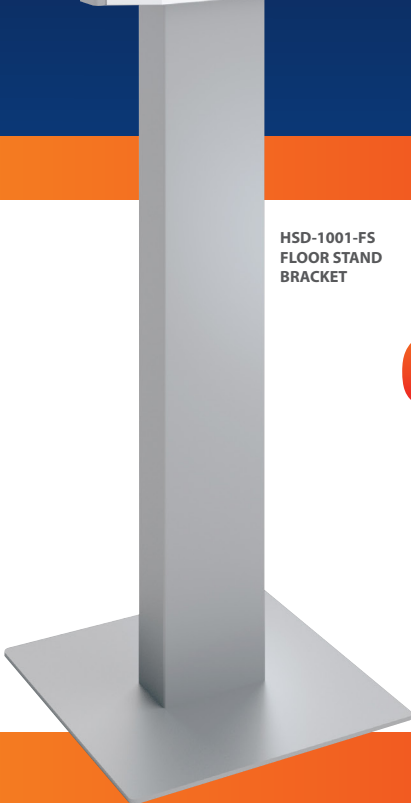
HSD-1001
DISPENSER



HSD-1001-DB
DESKTOP BASE



HSD-1001-WB
WALL-MOUNT BRACKET



HSD-1001-FS
FLOOR STAND
BRACKET

clenova™

*HSD Premium
Hand Sanitizer Station*

*Owner's Manual
& Installation Guide*

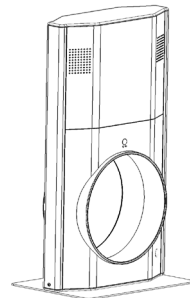
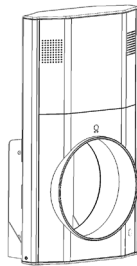
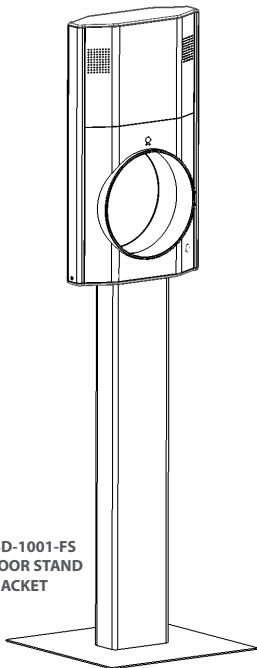
The future is clean.



USE ONLY
32 OZ. CLENOVA™
GEL HAND
SANITIZER REFILLS
(HSR-5131)

TABLE OF CONTENTS

IMPORTANT SAFETY INFORMATION	4
INCLUDED IN THE BOX	6
INSTALLATION INSTRUCTIONS	
Mounting	7
Installing Batteries/Connecting to Power	10
Filling the Dispenser	11
OPERATING INSTRUCTIONS	13
TROUBLESHOOTING	14



IMPORTANT SAFETY INFORMATION

Before you use your Clenova HSD Premium Hand Sanitizer Station, it is important that you read the compliance information and the legal notice guidelines for the safe use of your device that are found in this guide. To find the latest information, visit www.clenova.com.

Please read the legal notice below carefully as the notice contains limitations and exclusions of the liability of Pantero Inc. and its subsidiaries. This instruction manual covers the HSD-1001 Premium Hand Sanitizer Station.

- This appliance is not intended for use by persons (including children) with reduced physical, sensory or mental capabilities, or lack of experience and knowledge, unless they have been given supervision or instruction concerning use of the appliance by a person responsible for their safety.
- This appliance can be used by children aged from 8 years and above and persons with reduced physical, sensory or mental capabilities or lack of experience and knowledge if they have been given supervision or instruction concerning use of the appliance in a safe way and understand the hazards involved.
- This product is not a toy. Intended for adult use only.
- Children should be supervised to ensure that they do not play with the appliance.
- Cleaning and user maintenance shall not be conducted by children.
- The appliance must be disconnected from the power supply when removing the battery;
- Do not immerse in water.

IMPORTANT SAFETY INFORMATION

- This product is for indoor use only. Do not use outdoors.

It is not intended for use in wet, damp or extremely humid conditions. Operation in these conditions could severely affect the life of the product and could compromise safety.
- **DO NOT** put fingers, hands, metal or other foreign objects in the product.
- **DO NOT** expose the appliance to fire or excessive temperatures. Exposure to fire or temperatures above 130°C/265°F may cause explosion. Devices are not inherently safe and cannot be used in the presence of explosive fumes, explosive dust or other explosive chemicals. Sparks in such areas could cause an explosion or fire resulting in serious injury, death or damage to property.
- **USE ONLY** Clenova refill. Clenova will not be held responsible for damage, injury or poor performance caused by use of any other refills in Clenova device.
- Do not modify or attempt to repair the appliance except as indicated in the instructions for use and care. Have servicing performed by a qualified repair person using only Authorized replacement parts. This will ensure that the safety of the product is maintained.
- Do not place the device or accessory on any unstable surface. It could fall, thereby potentially causing serious injury to a person and serious damage to the device or device accessory. Take care when using the device with any power supply accessory to route the power cord in a way that reduces the risk of injury to others, such as by tripping or choking.



INCLUDED IN THE BOX

Included in the box is the following:

- HSD-1001 Premium Hand Sanitizer Station
- 110V AC/DC Wall Adapter 12v

Optional Items:

- HSD-1001-DB Desk Mount Bracket with mounting hardware
- HSD-1001-WB Wall Mount Bracket with mounting hardware
- HSD-1001-FS Floor Stand with mounting hardware

Instructions on how to assemble/setup the dispenser, install desk mount plate, floor mount plate, and the wall bracket, install batteries or plug-in power adapter, and install hand sanitizer refill.

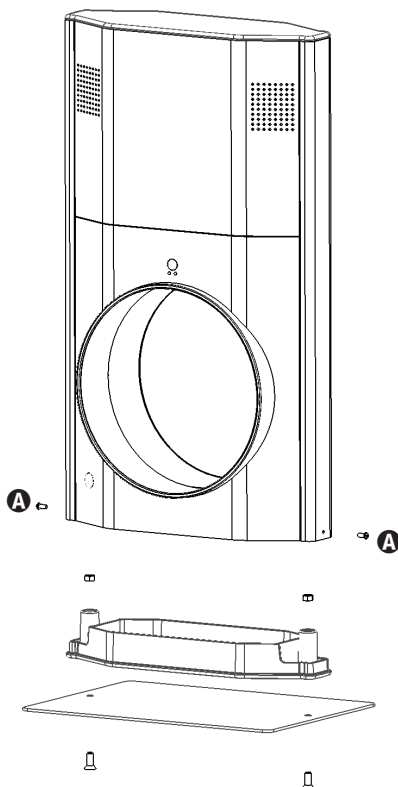
Mounting the Device

1. Remove the Dispenser from the packaging
2. Lay the unit on a counter or firm surface. Remove screws **A** and then slide the bottom cap off the unit.
3. Select a mounting option.

Note that one of the following mounting options MUST BE USED, the Dispenser cannot be used without being securely mounted to one of these 3 mounting brackets. Using the Dispenser without attaching to the mounting device will void the Warranty.

- a. **Desk Mount:** Install desk mount plate. Tools required: Philips Screwdriver.

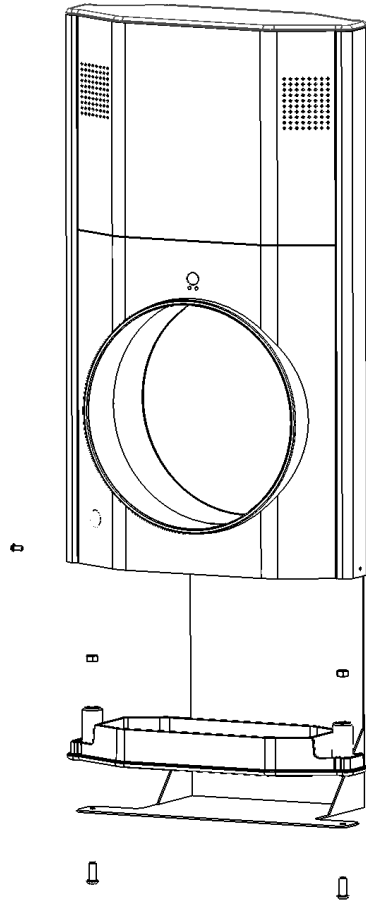
Locate the (2) ¼ -20 screws provided with the Desk Mount. Lay the dispenser on its back with front hanging off table or counter. Install desk plate with the provided ¼ -20 screws.



Mounting the Device (continued)

- b. **Wall Mount:** Install wall mount bracket. Tools required: Philips Screwdriver, Level, Drill.

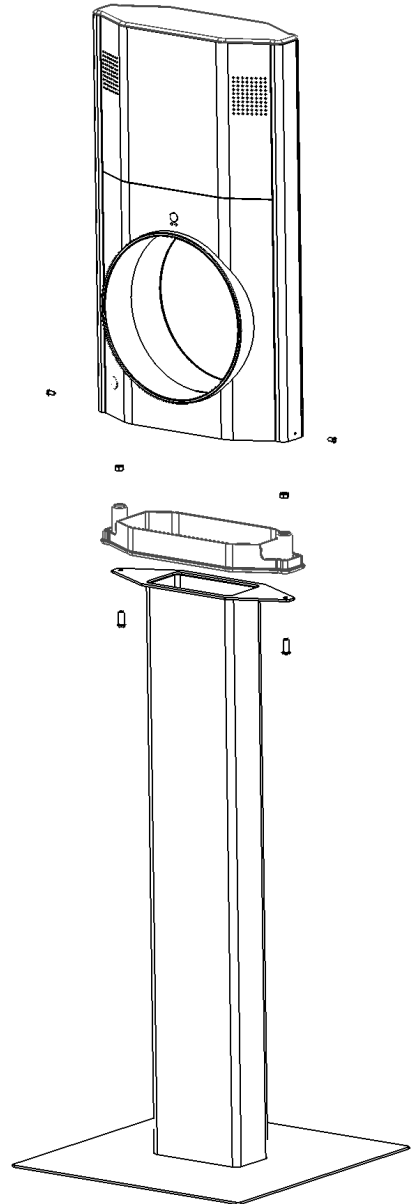
If mounting unit on drywall it is best to first determine the location of a stud, and position the bracket so that one of the upper mounting holes is over a stud. Locate the wall mount bracket template provided, and position on the wall, so that the bottom of the bracket will be 33" off the floor. Make sure it is level and, using a marking device, mark where the holes will go. Install either drywall or concrete anchors, depending on the wall. Then mount the wall bracket using the provided $\frac{1}{4}$ -20 screws.



Mounting the Device (continued)

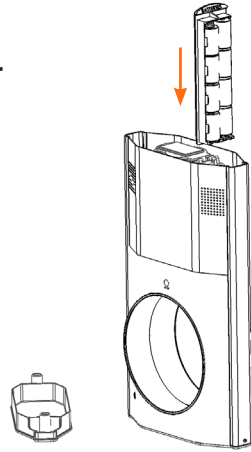
- c. **Floor Mount:** Install floor stand. Tools required: Philips Screwdriver.

Take floor stand out of the box and place it on the floor with the large square plate facing down. Place the dispenser on top of floor stand, lining up the holes in the top of floor stand base with the mounting points in the bottom of the unit. Fasten from underneath using the provided $\frac{1}{4}$ -20 screws.

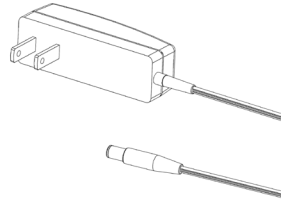


Installing Batteries/Connecting to Power

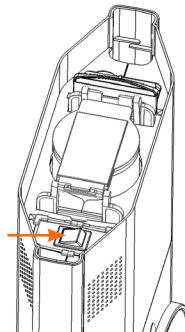
1. If using batteries: Remove top cap of dispenser. Remove battery tray and insert 8 D batteries. Slide battery tray back into place. *Note: make sure device is unplugged from wall power supply when installing or changing batteries.*



2. If using the wall adapter: Plug 110V power adapter into the back of the device and then into wall outlet.



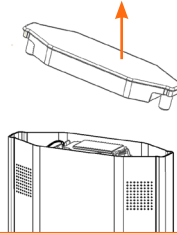
3. Slide switch inside top cap to "on" position.



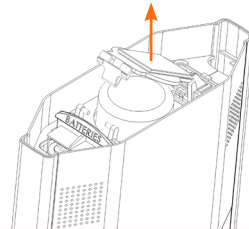
INSTALLATION INSTRUCTIONS

Filling the Dispenser

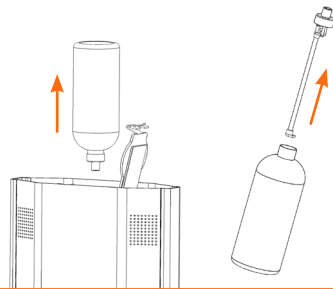
1. Remove the top cap of the dispenser.



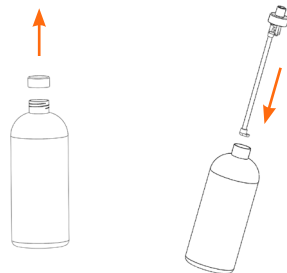
2. Release the bottle retainer by depressing the catch as shown.
3. If you are filling the dispenser for the first time, go to step 4.



4. Remove the spent bottle from the unit and remove the cap/vent tube. **Be sure to save this cap and tube as you will need it for the next refill!** Dispose of the old bottle.

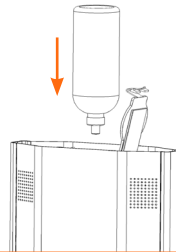


5. Remove the cap from the new refill bottle. **Be sure to only use Clenova refill bottles!**
6. Insert cap/vent tube assembly into the refill bottle and tighten cap.

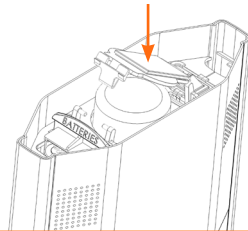


Filling the Dispenser (continued)

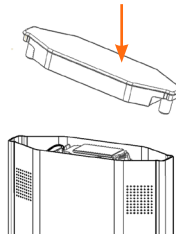
7. Insert refill into the dispenser, with the cap facing down.



8. Fasten the bottle retainer over the end of the bottle.



9. Replace the top cap of the dispenser.



OPERATING INSTRUCTIONS

To use device, simply insert hands into the center opening.

- The center circle of the unit will light up with a flashing light when a motion sensor detects a person approaching.
- Place hands in the opening underneath the dispenser nozzle. Motion sensor will detect hand and automatically dispense the right dose of hand sanitizer.



There are two LED indicator lights on the front of the unit.

- The left-hand light, when lit, indicates that the hand sanitizer needs to be refilled.
- The right-hand light, when lit, indicates that batteries are running low.



1. Unit won't dispense:
 - a. Ensure unit is turned on with switch inside top cap.
 - b. Ensure unit has power (batteries lined up correctly, or if using 110V power plug ensure proper connectivity).
 - c. Ensure refill is not empty.
2. Support:
 - a. For technical support, call **833.726.8376**.
 - b. For refills, contact your local Clenova distributor.



clenova™

The future is clean.

*Clean matters... now more than ever.
A cleaner, healthier workplace,
store or home starts with health and
hygiene products from Clenova™.*

clenova™

*164 Indusco Court Troy, Michigan 48083
833-726-8376 | CLENOVA.COM*

Clenova™ is a Trademark of Pantero, Inc. © 2020 Pantero, Inc.

The future is clean.