



User's manual

Manual del usuario

Manuel de l'utilisateur

Customer Service
US: 1-800-645-2986

Servicio de atención al Cliente
US: 1-800-645-2986

Service à la clientèle
Canada: 888-645-2986

Heavy Duty LED Digital Crane Scale W/Remote

Models: 412651, 412652, 412653, 412654, 412655

SPECIFICATIONS

Product Standard	GB/T11883-2017
Accuracy Grade	III
Zero Range	100% Full Scale
Time to Stable Reading	<10 Seconds
Display Specifications	5-digit Super High Brightness 25 mm red LED display Or 5-digit 20 mm FSTN LCD display with back lighting
Hanging Fixture	360-degree swirl safe hook & shackle
Operating Temperature	-10°C ~ +40°C
Operating Humidity	30% ~ 90% RH
Auto Power Off	30 minutes after the scale inactive or at extreme low power supply
Internal circuit with charging protection	To enhance the energy of battery and prolong its performing life
Scale casing	Cast aluminum casing, corrosion safe, anti-static and light weight
Keypad	Light touch keypad

The keypad includes On/Off, Units, Zero, and Hold.
(Note: The above keys can be used in sub-menu to set up lb-kg conversion, Hold, Beeper On/Off, Zeroing and backlighting, etc.)

Max. Capacity	Division	Max. Capacity	Division
6000 lb	1 lb	3000 kg	0.5 kg
10000 lb	5 lb	5000 kg	2 kg
20000 lb	10 lb	10000 kg	5 kg

KEYPAD FUNCTIONS

- [HOLD] : Press this key to keep the current weight and there is a LED indication lamp on the bottom of the display window. Press this key again when the displaying weight flickers to cancel the HOLD function.
- [UNITS] : Press this key to change units between lb and kg.
- [ZERO] : Press this key to set the current weight to zero.

SCALE OPERATIONS

1. Turn on the Scale
Press the power switch located under the displaying window of scale. The scale's maximum weighing capacity is first shown, and then the scale goes through a self-check sequence. 5 seconds later, the scale will stabilize and be ready for operation. (Note: it is recommended to allow scale 3~5 minutes of warm-up time before starting weighing operation).

2. Zeroing
In default, the scale shows "0kg" or "0.0kg" after it is turned on. In case the display is showing numerical value other than "0", press [ZERO] on the keypad or the remote to set the display to "0".

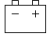
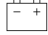
3. Weight Measurement
a) Once the load is suspended completely, the display shows the weight value of the load. When the "Stable" indicator is lit, weight value can be recorded.

b) In case there is tare such as cable, load the tare and press [ZERO] to zero the display to "0"kg. The weight value after this will be the net weight. This will not change until the tare change or the scale being turned off.

4. Turn Off the Scale
After weighing operation, press the power switch to shut off the power completely to prevent the leakage of the battery.

Heavy Duty LED Digital Crane Scale W/Remote

BATTERY CHARGING INSTRUCTIONS

- a. Then  indicator will be on if there is low power. The battery needs to be charged now. The scale, however, can continue to operate for about 5 hours without charging.
- b. After the  indicator is ON for several hours without charging or there is no more power in the battery, the scale will be powered off automatically.
- c. After battery charging, if there is no display, it indicates that either there is difficulty in battery charging or a damaged battery. To prolong the battery life, we suggest you charge the battery after using 48hours or no less than once per week. To avoid any damage to the battery, please charge it correctly. Additionally, we suggest you switch off the scale to shorten the charging time. The charging lamp on the displaying window and adaptor will turn red during charging. When the charging lamp on the adaptor becomes green, it means the battery is fully charged.

PRECAUTION

1. Please charge the scale with standard charger.
2. The load placed on the scale hook must not exceed the maximum weighing capacity of the scale.
3. Perform routine inspection and maintenance to ensure operation safety for these basic items:
 - a) Check for loose bolts.
 - b) Check hook and shackle for deformation, wearing and tearing.
 - c) Check other scale component for signs of metal fatigue.
 - d) Check for missing hook latch.
 - e) Avoid hitting, bumping the display window.
 - f) Do not use the scale in the rain or heavily polluted environment.
 - g) If the scale is not going to be used for some time, please clean it, remove the battery and store it in dry conditions.

CALIBRATION METHOD

Please do not attempt to calibrate the scale without standard weight

Step	Operation	Display	Remarks
1	Press & Hold [ZERO] Key to power on	00000	Input the password "*****"
2	Press [ZERO] to confirm	SPAn	Enter into setting state, and make sure the scale is with non-load.
3	Press [HOLD] Key	SEt 00000	It will display "00000" after 5 seconds.
4	Press [HOLD] Key to add Press [UNITS] Key to move the digit left	3000	Load the scale. The closer to full capacity the better. For example, 3000kg
5	Press [ZERO]	HOLD	The scale will record the new calibration data.

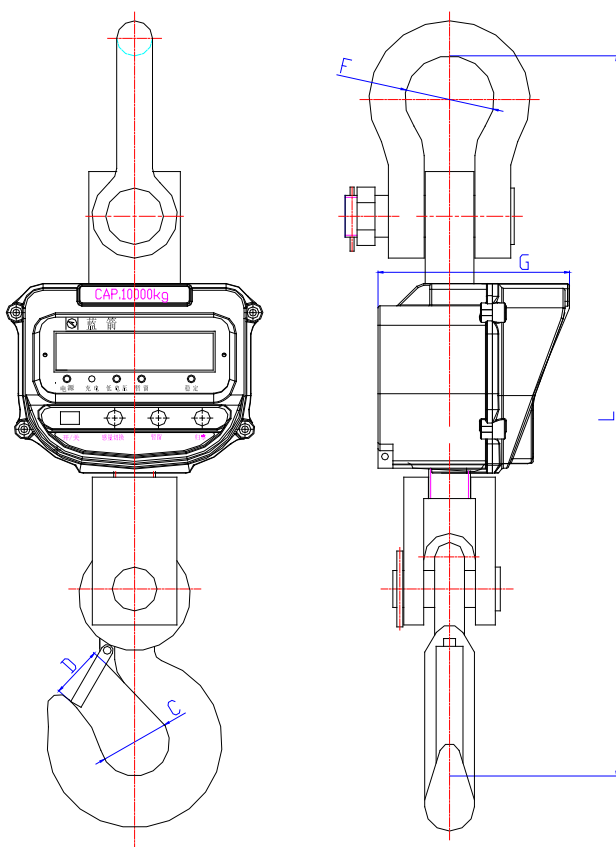
Heavy Duty LED Digital Crane Scale W/Remote

SETUP FUNCTIONS IN SUB-MENU

Function	Operation	Display	Remarks
Sets buzzer	Press [UNITS] during self-check sequence from "99999" to "00000"	bEE 1	0: Disable 1: Enable Press [HOLD] or [UNITS] to change.
HOLD function	Press [ZERO]	Hod 1	0: Disable 1: Enable Press [HOLD] or [UNITS] to change.
Zero Function	Press [ZERO]	Stb 0	0: zeroing allowed when unstable 1: zeroing not allowed when unstable Press [HOLD] or [UNITS] to change.
Backlighting setup	Press [ZERO]	Aut 1	0: Manual 1: to Auto press [HOLD] or [UNITS] to change.
Sets units	Press [ZERO]	CHt 0	0: lb 1: kg Press [HOLD] or [UNITS] to change.
Auto Power Off	Press [ZERO]	OFF 1	1: Auto Power Off (after 30 minutes when the scale is inactive) 0: shut off the auto power off
Save results	Press [ZERO]	YES 0	Automatic re-start
-----	Press [ZERO]		Automatic re-start

SCHEMATICS

Dimensions



unit : mm

Model	L	F	C	G	D
412651	683	80	60	176	52
412652	787	90	70	191	52
412653	787	90	70	191	52
412654	590	76	50	167	50
412655	590	76	50	167	50

Heavy Duty LED Digital Crane Scale W/Remote

REMOTE CONTROL

Fault analysis by checking the internal code

【Zero】 : To zero the displaying weight.

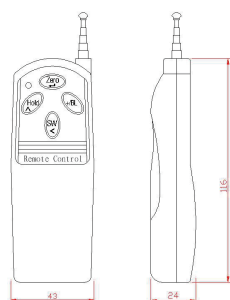
【Hold】 : Keep the current displaying weight and the indicating lamp will be lit.

【+/BL】 : Turn on the backlighting. . (Only applies when the scale has a LCD display.)

【SW】 : Change the division value between measured division and hi-resolution division.

Battery : 9V/6F 22 layer-built battery.

Note : Please extend the antenna before using the remote control.



ERROR INFORMATION

Err0: The calibration data should not less than 4 digits. Or the data will be invalid.

Err1: The calibration data should not exceed the data 65536

Err2; There is incorrect password to modify the calibration data.

Err3: The weight value at the calibration point is too small. It should be no less than 3 valid digits.

Err4: Incorrect calibration password. Please input the correct password.

Err5: The internal code at the calibration point is too small. The valid internal code is from 3000 to 65536.

Fault analysis by checking the internal code

Press [Zero] to power on the scale, it will first show "Ad". Then unpress the key, it will show the internal code. If there is no load on the scale, the internal code should be between 6000 and 8000. If the internal code is not in the range from 6000 to 8000, please send the scale back to your supplier for repair.