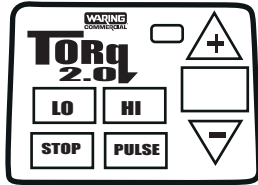


# Unit Information

120 volt – 60Hz – 13 Amps

Limited 2 Year Motor Warranty  
 Limited 2 Year Parts and Labor Warranty

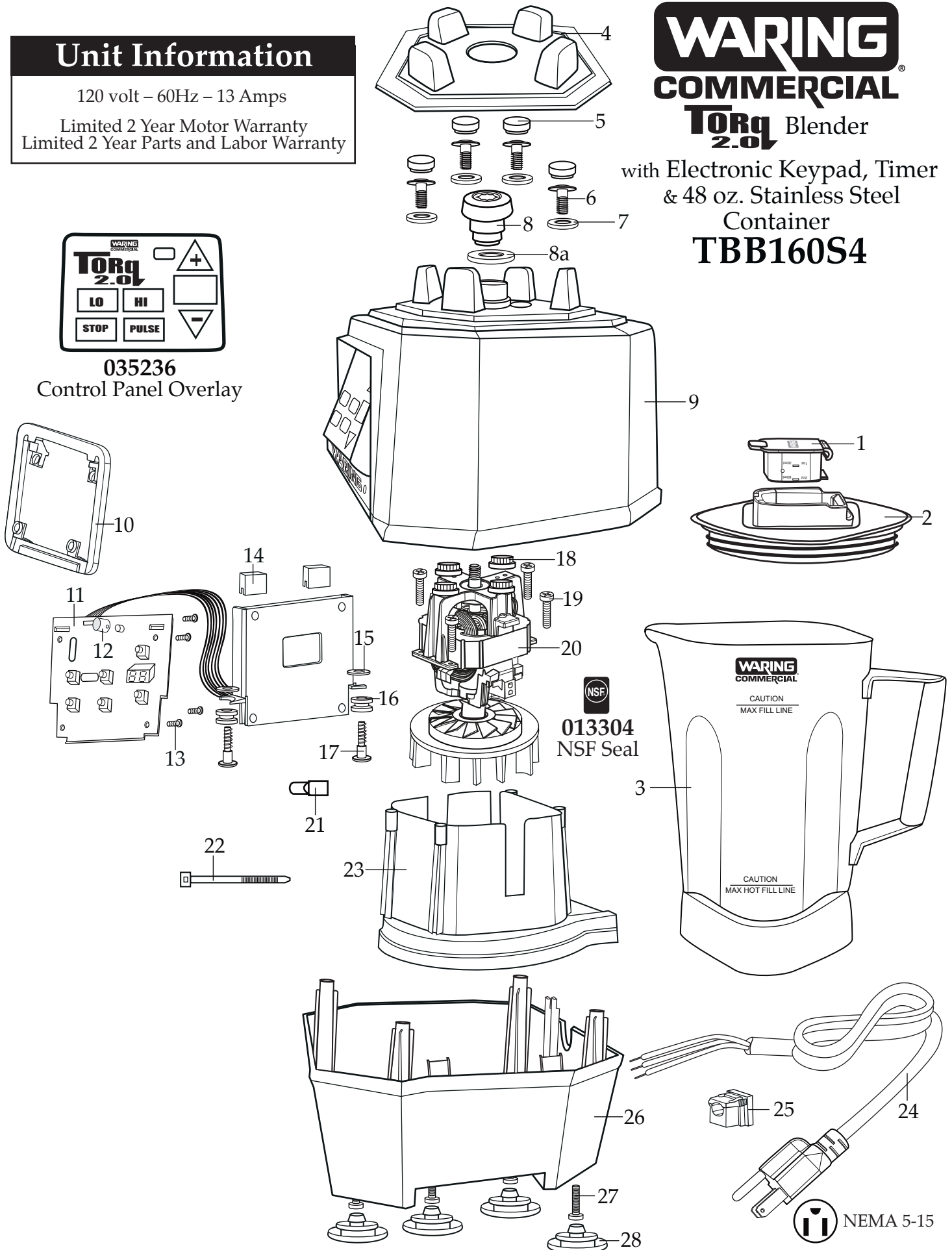


035236

Control Panel Overlay

# WARING COMMERCIAL TORq 2.0 Blender

with Electronic Keypad, Timer  
 & 48 oz. Stainless Steel  
 Container  
**TBB160S4**



# Catalog/Model

TBB160S4



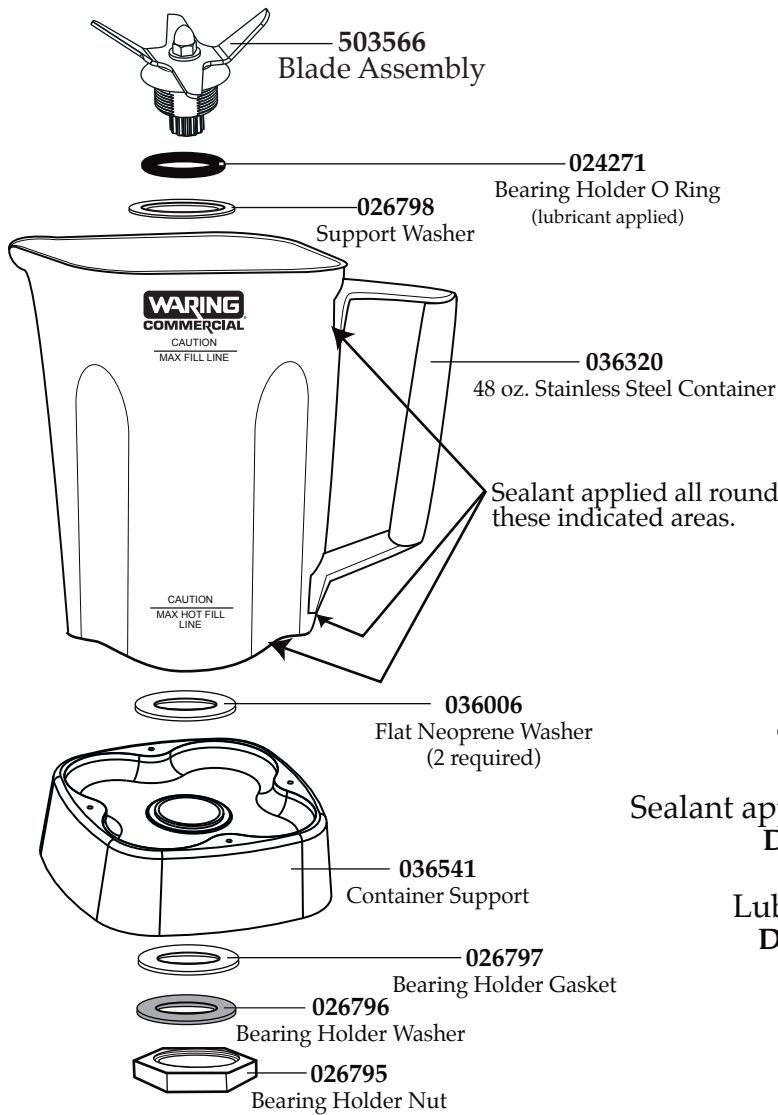
Illustration #	Part #	Description
1	035153	Eastman Jar Lid Cover
2	036319-V	Vinyl Jar Cover
3	036320 503515	48 oz. Stainless Steel Container ONLY 48 oz. Stainless Steel Container Complete with Blending Assembly
4	035885	Jar Pad
5	035085	Hole Plug (4 required)
6	034275	Sems (4 required)
7	034273	B Gasket (4 required)
8	037034 035251	Drive Coupling Machined <i>(on units after 11/15/2019)</i> Drive Coupling
8a	037033	Coupling Washer <i>(on units after 11/15/2019)</i>
9	503460-160	Top Housing Assembly
10	035237	Control Housing Back Bezel
11	035162	TBB160 Control Panel Assembly
12	035253	LED Lens
13	035090	Screw (4 required)
14	034900	PCB Cushion (2 required)
15	013604	Washer (2 required)
16	034904	Rubber Pad (2 required)
17	034902	Sems (2 required)
18	034272	A Gasket (4 required)
19	034274	Screw (4 required)
20	034276	ECM Motor /KB500
21	012409 019123	Small Crimp Connector (2 required) Large Crimp Connector (2 required)
22	013731	Cable Ties (6 required)
23	503483	Motor Housing with Dampeners
24	035124	Cordset
25	033619	Strain Relief
26	035079 503480	Bottom Housing Bottom Housing with Feet Assembly
27	034274	Screw (4 required)
28	035088	Foot (4 required)

# Catalog/Model

TBB160S4

**Waring Factory Service Center**  
**314 Ella T. Grasso Ave.**  
**Torrington, CT 06790**  
**Tele. 1-800-269-6640**

**Fax 860-496-9017**  
**www.waringcommercialproducts.com**



## Notes:

Torque 100-125 in/lbs

Sealant applied all around indicated areas.  
**Dow Corning Sealant RTV 733**

Lubricant applied to O Ring  
**Dow Corning 200 (R) Fluid**

## Wiring Diagram

