

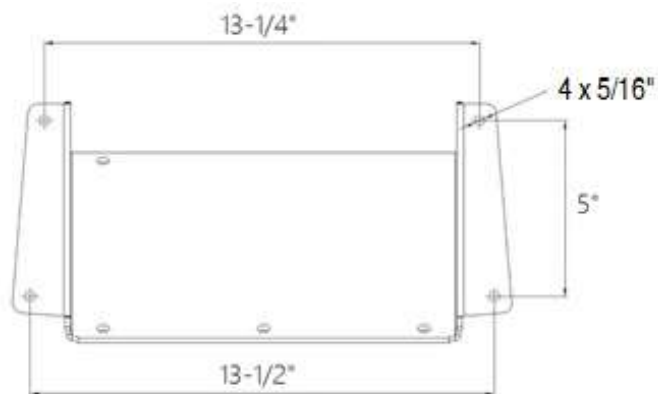


Global Industrial™ Wheel Chock Holder

Model #: WB989049



1. Before installation, please make sure that the wall can hold the wheel chock safely.
2. Drill 4 holes on the wall, see the holes sizes as below.



3. Install the holder firmly with right hardware.

