

PRECISION TOOLS FOR PRECISE PERFORMANCE

Sioux Tools are known around the world for quality, durability and performance. Our extensive array of industrial power tools are engineered and built to make jobs easier, safer and more efficient. Sioux tools are designed to stand up to the demanding



specifications required by today's industrial manufacturing, assembly and finishing needs. Sioux offers a wide array of pneumatic impact wrenches.

Let's take a look.

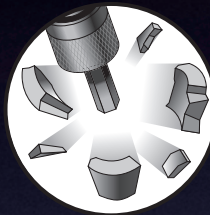
PNEUMATIC IMPACT WRENCHES

SAFETY FIRST WITH PNEUMATIC TOOLS

Any discussion of impact wrenches should begin with an understanding of safety. While these tools have amazing capabilities, certain precautions should be followed without exception.

BROKEN SOCKETS AND ATTACHMENTS CAN CAUSE INJURY

Proper eye protection must be worn at all times by tool user and bystanders. Use only sockets and other attachments made for power tools and that are in good condition. Use only bits and adapters that are in good condition. Keep hands away from sockets, bits and adapters.



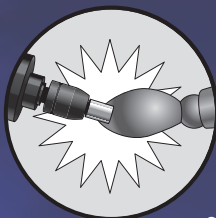
ALWAYS USE IMPACT RATED SOCKETS AND ADAPTORS

"Shiny" sockets are made of harder steel than impact sockets and pose a risk of fracturing and breaking apart. Also, many impact wrenches have special retention features to secure impact sockets to the tool. These safety features are ineffective if a non-impact socket, which lacks retention features, is used.



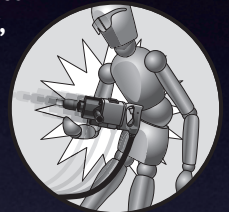
SUDDEN AND UNEXPECTED TOOL MOVEMENT CAN CAUSE INJURY.

Be sure your body position allows you to have control of the tool at all times. Make sure your footing is secure. Consult manufacturer for proper side handle if movement is excessive



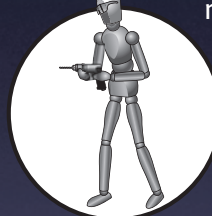
TOOLS STARTING UNEXPECTEDLY CAN CAUSE INJURY

Always shut off the air supply and activate trigger to bleed air line before disconnecting, making any adjustments, changing accessories, or doing any maintenance or service on the tool.



MAINTAIN A SOLID BODY POSITION AND SECURE FOOTING.

Sudden and unexpected impact wrench movements can happen and can cause injury. The operator needs to maintain control of the tool, which requires a little knowledge of physics and a lot of common sense. The body should always be well positioned with secure footing.



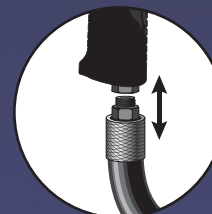
WEAR PROPER HEARING PROTECTION.

Pneumatic tools are very loud. Wear proper hearing protection in order to minimize the risk of hearing loss or other impairment.



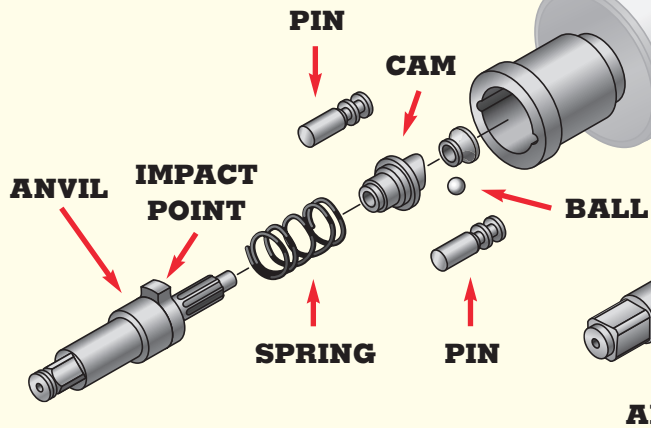
KNOW WHEN TO DISCONNECT

Wrenches can start up unexpectedly when connected to an air supply. Before doing any adjustments, maintenance or service – be sure to do the following: Turn off air supply to the impact wrench, activate the trigger to release air pressure, disconnect the impact wrench from the air supply.



IMPACT MECHANISMS AND KEY ADVANTAGES

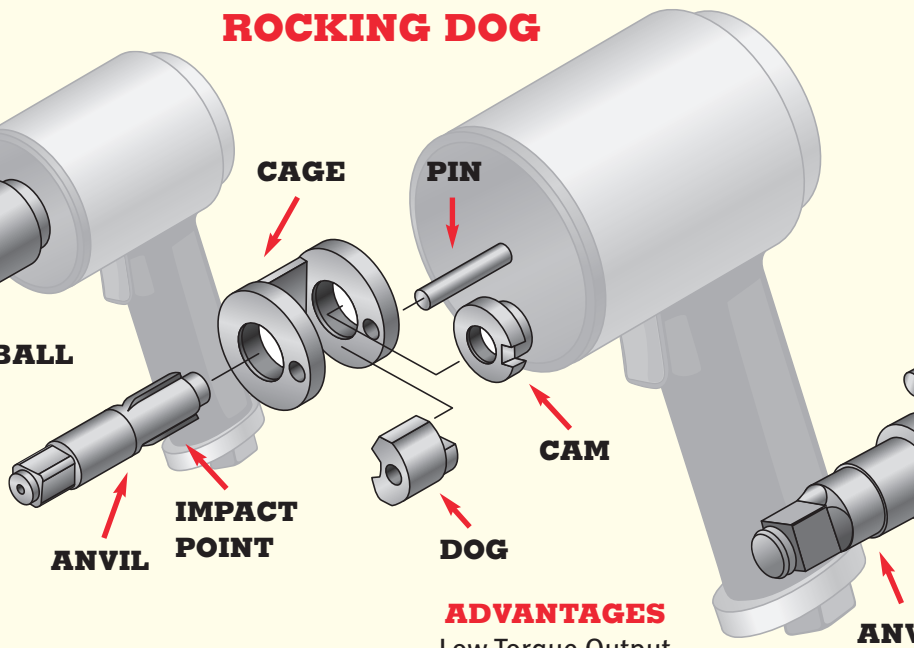
PIN CLUTCH



ADVANTAGES

- Low Cost
- Good for Hard Pull-Up Joints
- Good for Fast Torqueing Applications

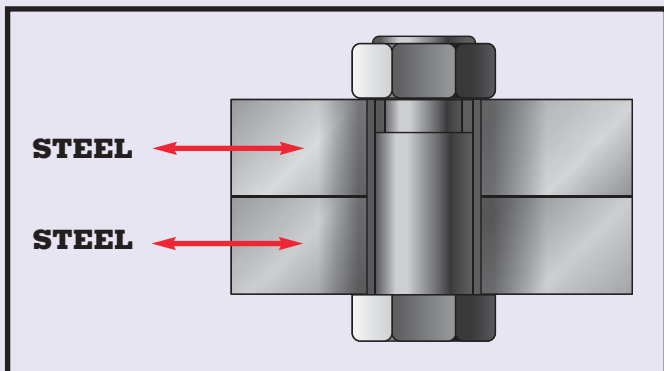
ROCKING DOG



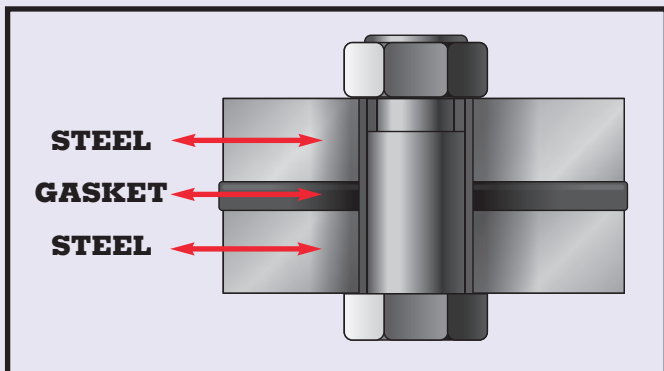
ADVANTAGES

- Low Torque Output
- Good Durability
- Good "Feel", Clutch Engagement
- Good for Long Rundown Applications

HARD & SOFT PULL-UP JOINTS



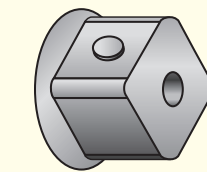
HARD PULL-UP – Minimal deflection occurs during torqueing at less than 90 degrees after contact.



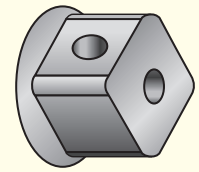
SOFT PULL-UP – More deflection occurs during torqueing at greater than 720 degrees after contact.

ANVIL DRIVE CONFIGURATION OPTIONS

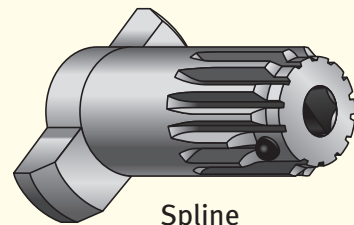
POSITIVE RETENTION



Quick Change
(MOST COMMON)

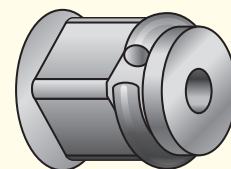


Thru-Hole



Spline

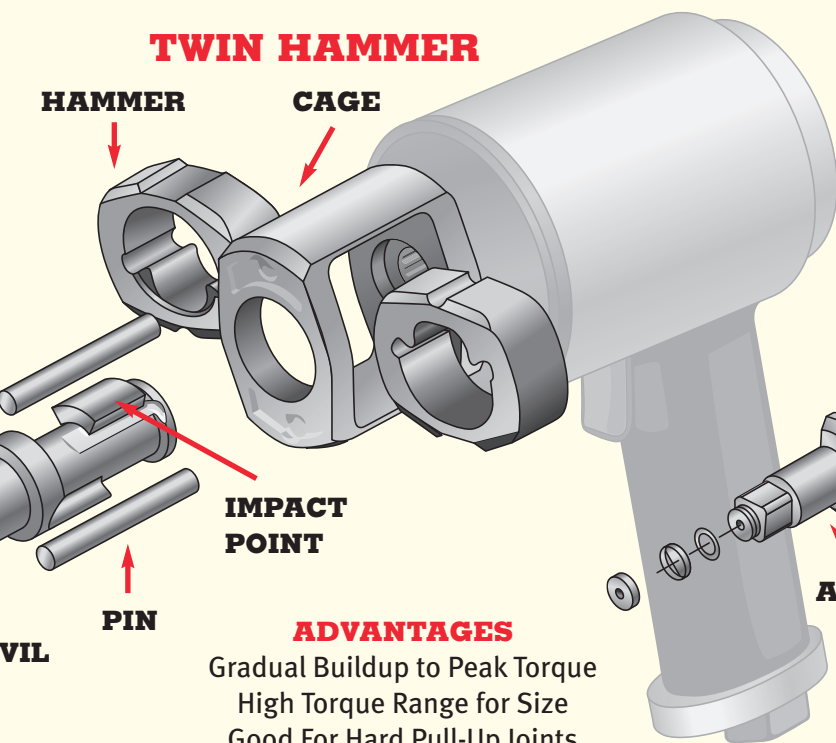
FRICITION RETENTION



Friction Ring

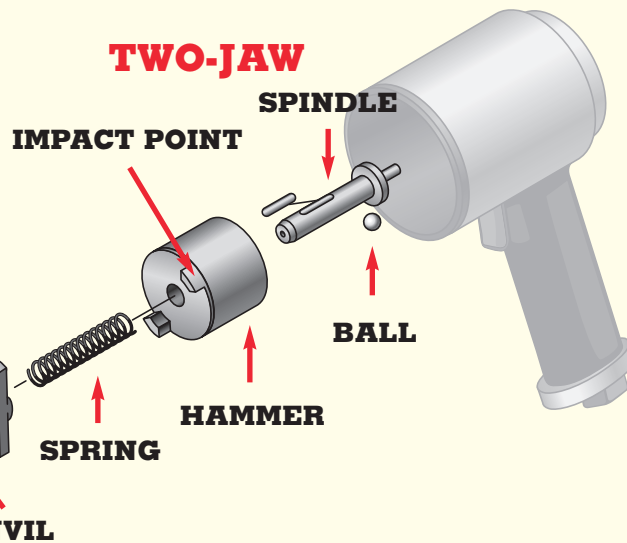
DESIGN VARIETIES OF 1/2" & 3/4" IMPACT WRENCHES

TWIN HAMMER



ADVANTAGES
 Gradual Buildup to Peak Torque
 High Torque Range for Size
 Good For Hard Pull-Up Joints

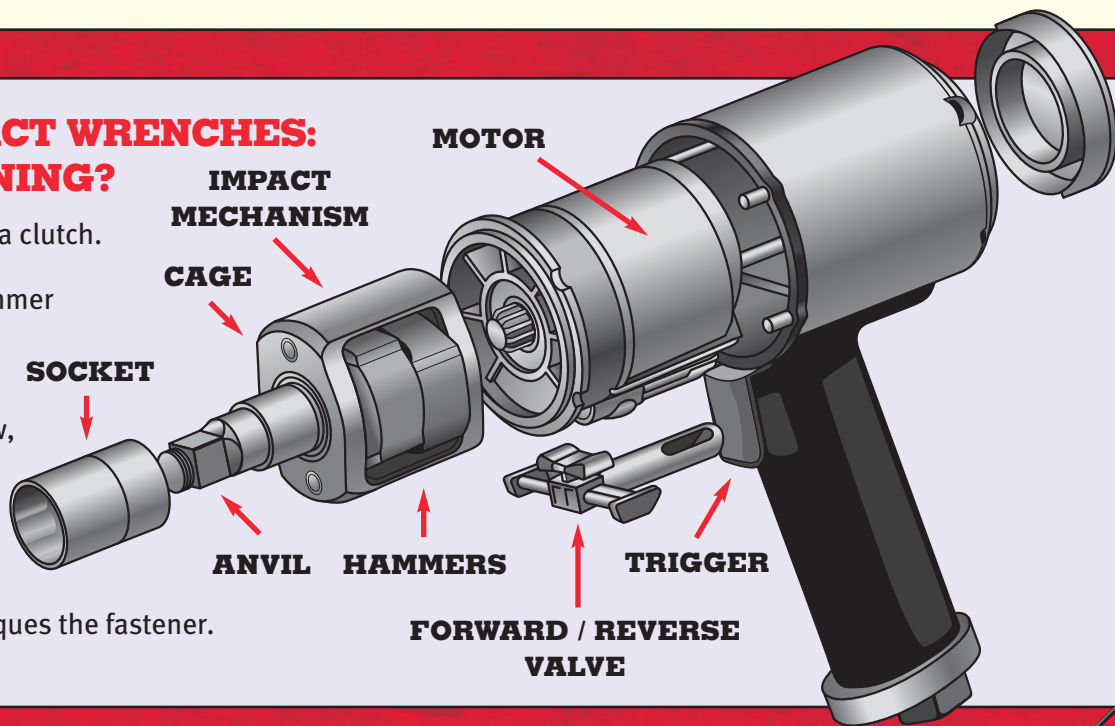
TWO-JAW



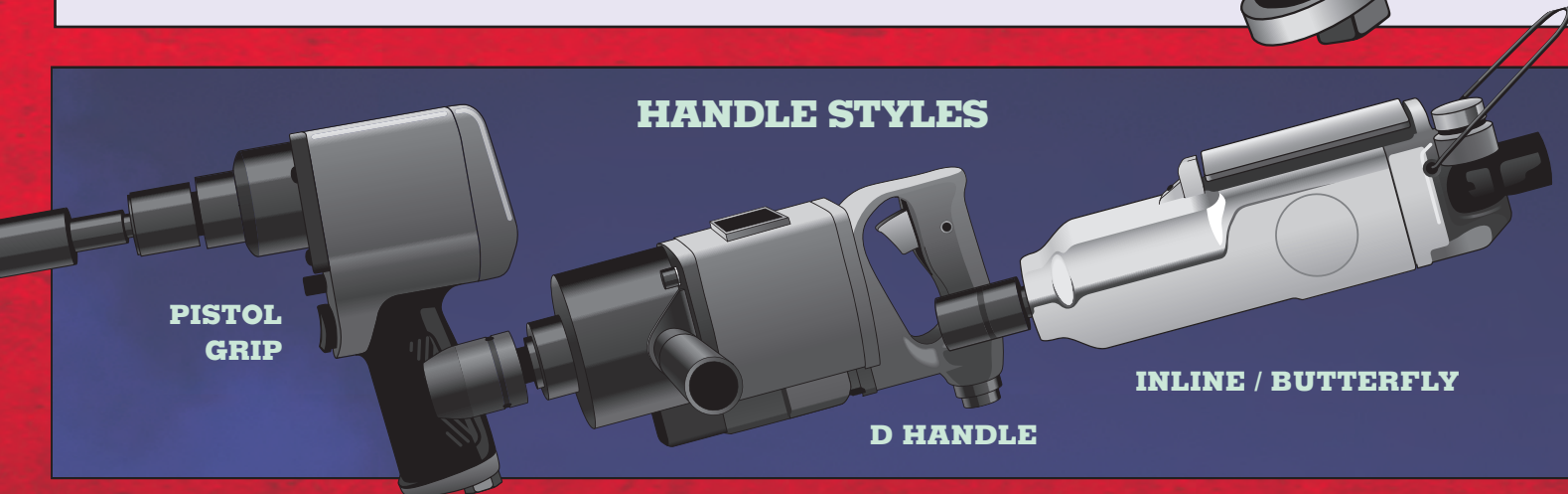
ADVANTAGES
 "Do-It-All" Configuration
 Suited for all General use Applications
 High Torque Range for Size

1/2" & 3/4" IMPACT WRENCHES: WHAT'S HAPPENING?

- Pneumatic motor drives a clutch.
- The clutch spins the hammer that delivers a series of blows to the anvil.
- Upon delivering the blow, the hammer "cams out" of engagement, spins and repeats.
- The anvil drives the attached socket that torques the fastener.



HANDLE STYLES



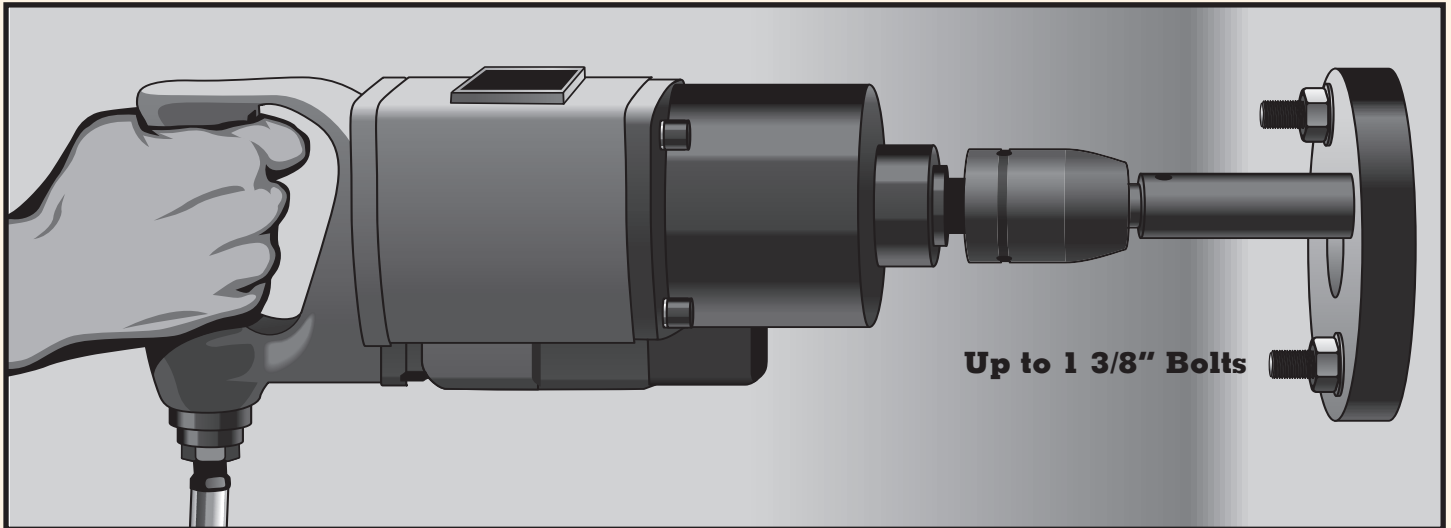
PISTOL GRIP

D HANDLE

INLINE / BUTTERFLY

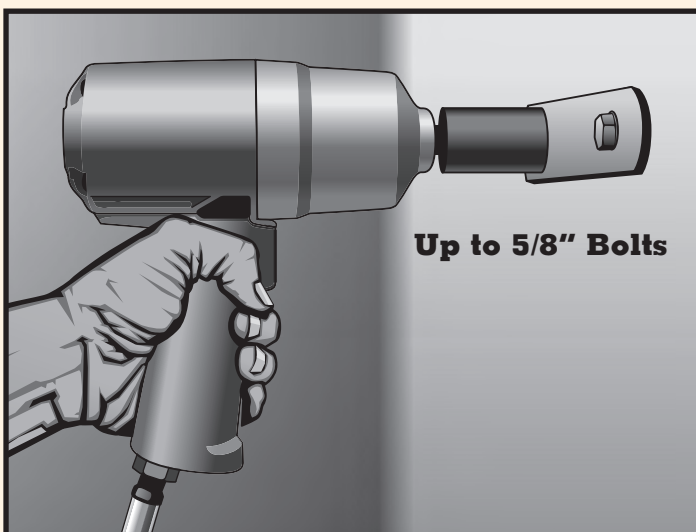
SELECTING THE BEST IMPACT WRENCH FOR YOUR APPLICATION

D-HANDLE (1" - 1 1/2") IMPACTS



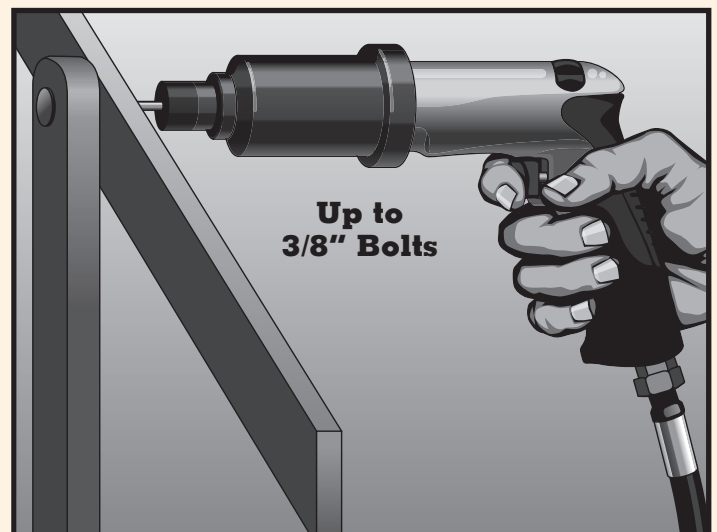
Application: Steel Erection & Heavy Equipment

PISTOL GRIP (1/2") IMPACT



Application: General Usage, Medium to Heavy Duty

PISTOL GRIP (3/8") DRIVER



Application: General Usage, Light to Medium Duty

SIoux offers innovative, high quality pneumatic tools for a wide array of industrial manufacturing, assembly and finishing applications.

For an in-depth look at other applications, ask your SIoux salesperson or distributor for our companion brochures.

Snap-on Power Tools, Inc.
250 Snap-on Drive
Murphy, NC 28906

Customer Service: 866-259-7291
Email: sttechsup@siouxtools.com

See the full line of SIoux products:
www.sioxtools.com



SIoux is a trademark, registered in the United States and other countries, of Snap-on Incorporated. Other marks are marks of their respective holders.

© Copyright 2016 Snap-on Incorporated. All rights reserved. Form# ZML0182 • Date: 03-16

SIoux Tools Available From:

The information contained herein is for informational purposes only and is not intended to provide instruction or to serve as a training manual. Applications for the tools described herein may vary. Additional and different steps or procedures may be required to properly complete a given task. Always wear safety glasses when operating power tools.