



www.globalindustrial.com

1-800-645-2986

**GRID BIKE RACK**  
ASSEMBLY INSTRUCTION

**GROUND MOUNTING OPTIONS**

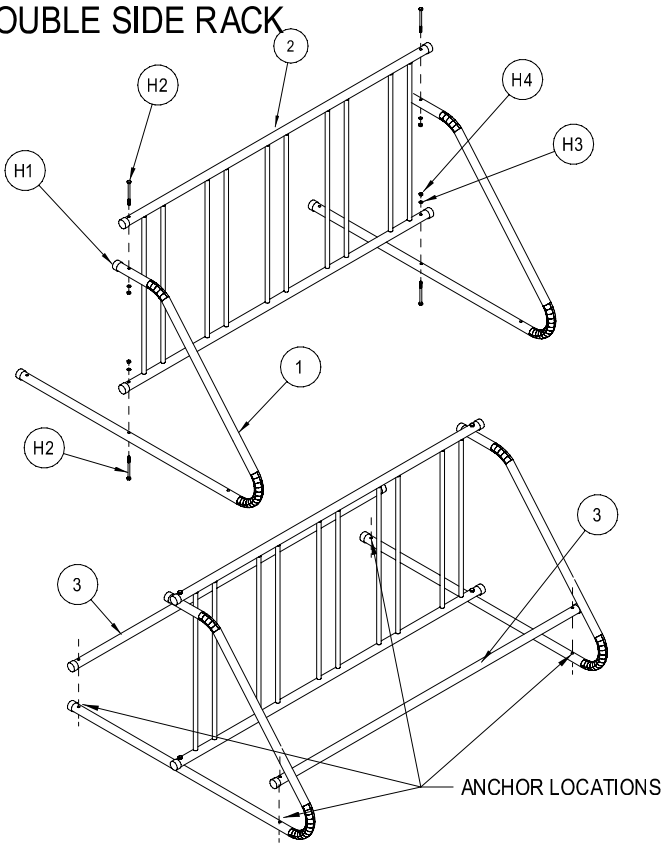
**CONTENTS**

REF.	QTY.	DESCRIPTION
1	2	RACK SUPPORT
2	1	RACK
3	2	TIE BAR
H1	12	
H2	4	
H3	8	
H4	8	

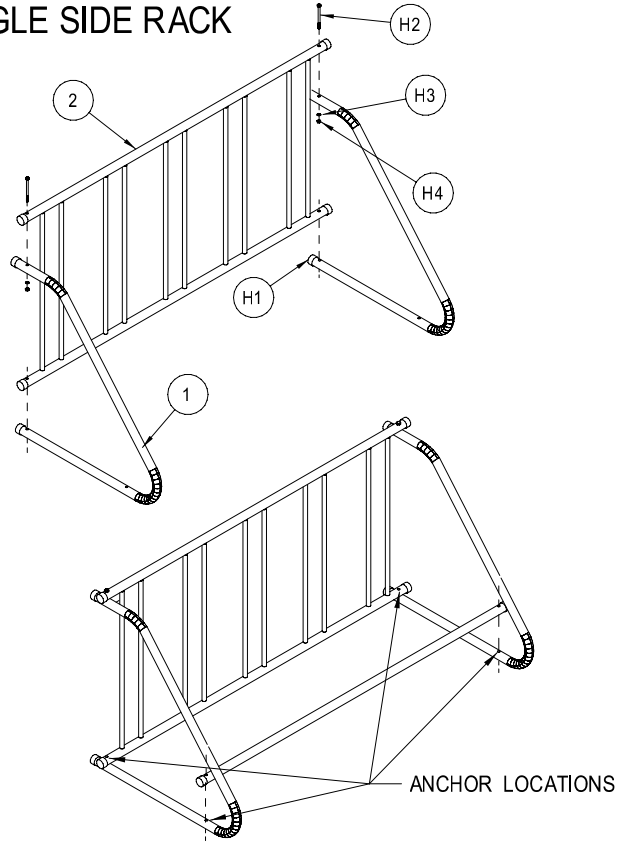
**CONTENTS**

REF.	QTY.	DESCRIPTION
1	2	RACK SUPPORT
2	1	RACK
3	1	TIE BAR
H1	10	
H2	2	
H3	6	
H4	6	

**DOUBLE SIDE RACK**



**SINGLE SIDE RACK**

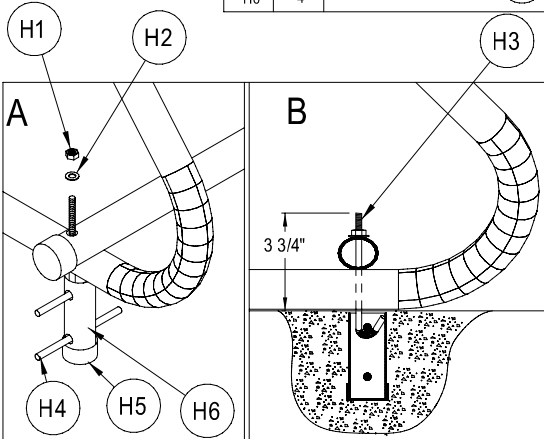


**GROUND MOUNTING OPTIONS**

**CEMENT/ ASPHALT ANCHOR KIT**

**CONTENTS**

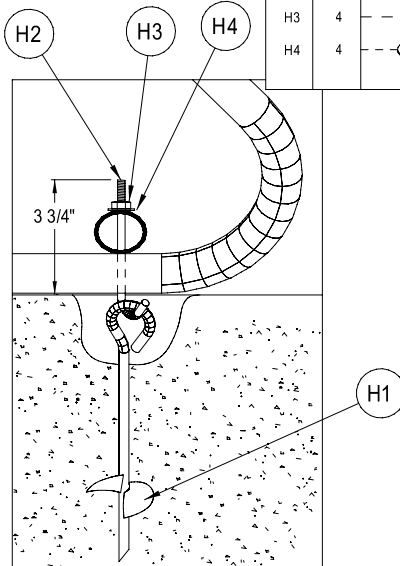
REF.	QTY.	DESCRIPTION
H1	4	
H2	4	
H3	4	
H4	8	
H5	4	
H6	4	



**EARTH ANCHOR KIT**

**CONTENTS**

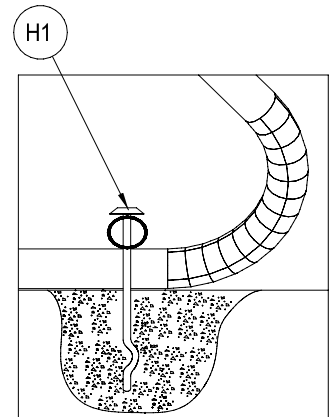
REF.	QTY.	DESCRIPTION
H1	4	
H2	4	
H3	4	
H4	4	



**SPIKE ANCHOR KIT**

**CONTENTS**

REF.	QTY.	DESCRIPTION
H1	4	





www.globalindustrial.com

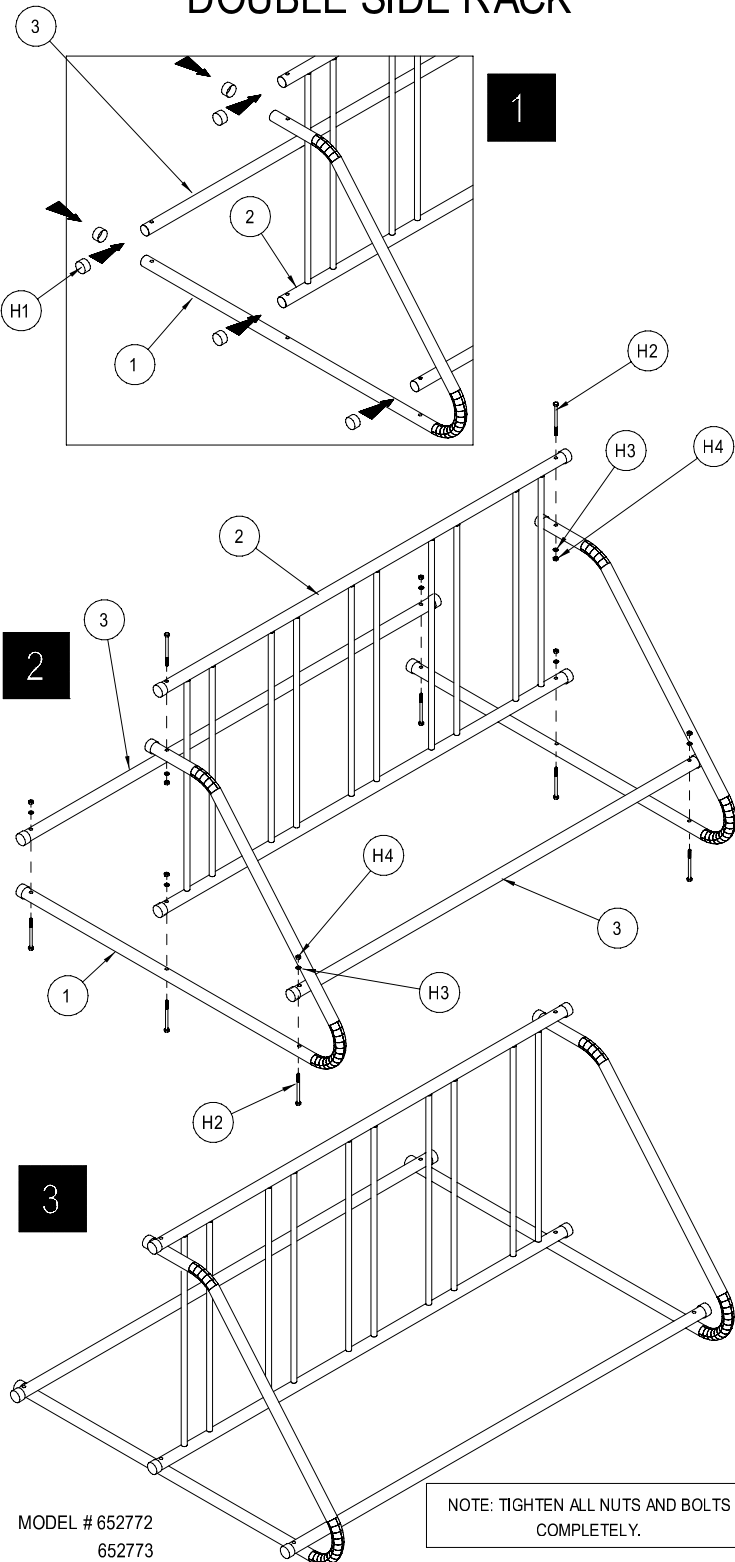
1-800-645-2986

### GRID BIKE RACK ASSEMBLY INSTRUCTION

CONTENTS		
REF.	QTY.	DESCRIPTION
1	2	RACK SUPPORT
2	1	RACK
3	2	TIE BAR
H1	12	
H2	8	
H3	8	
H4	8	

CONTENTS		
REF.	QTY.	DESCRIPTION
1	2	RACK SUPPORT
2	1	RACK
3	1	TIE BAR
H1	10	
H2	6	
H3	6	
H4	6	

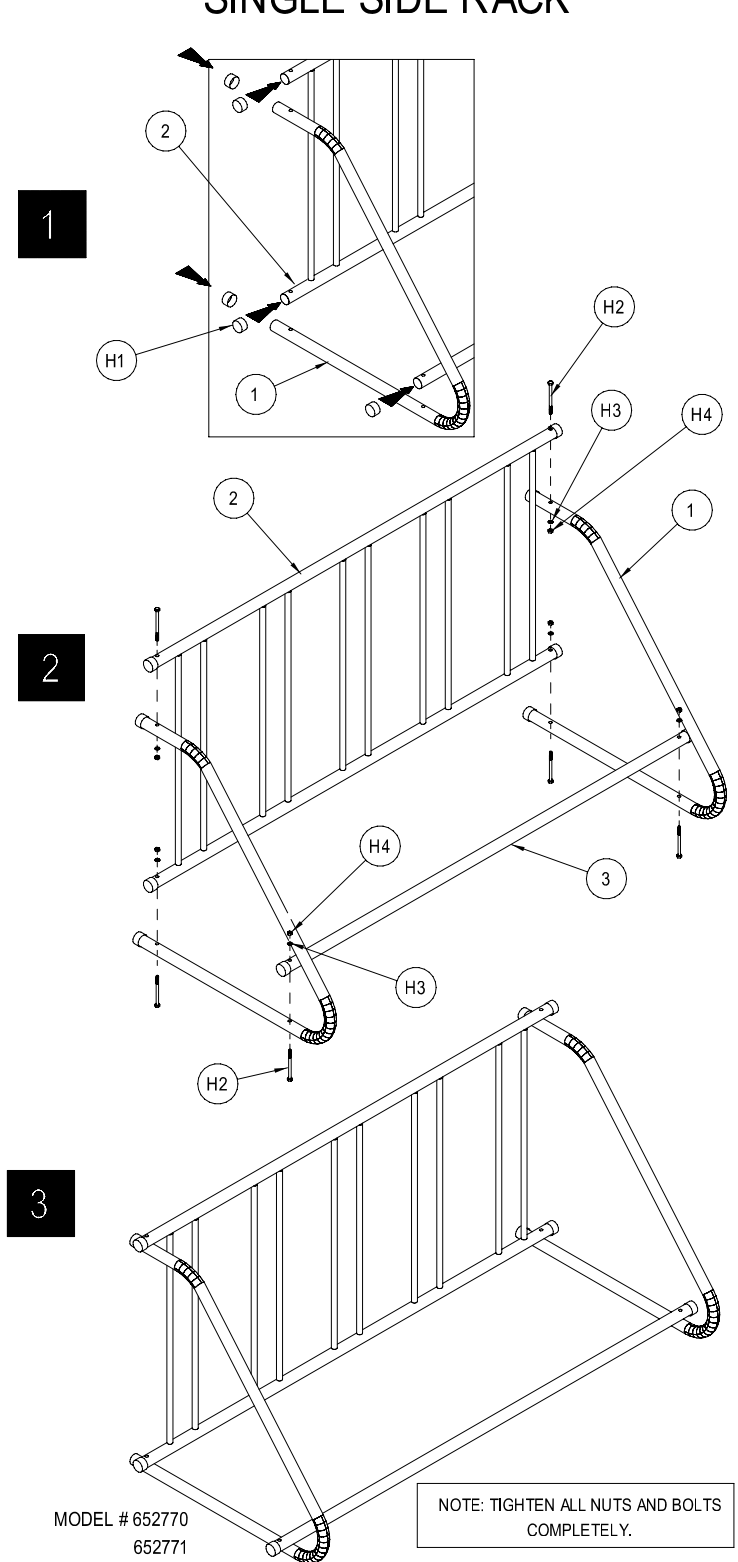
## DOUBLE SIDE RACK



MODEL # 652772  
652773

NOTE: TIGHTEN ALL NUTS AND BOLTS COMPLETELY.

## SINGLE SIDE RACK



MODEL # 652770  
652771

NOTE: TIGHTEN ALL NUTS AND BOLTS COMPLETELY.