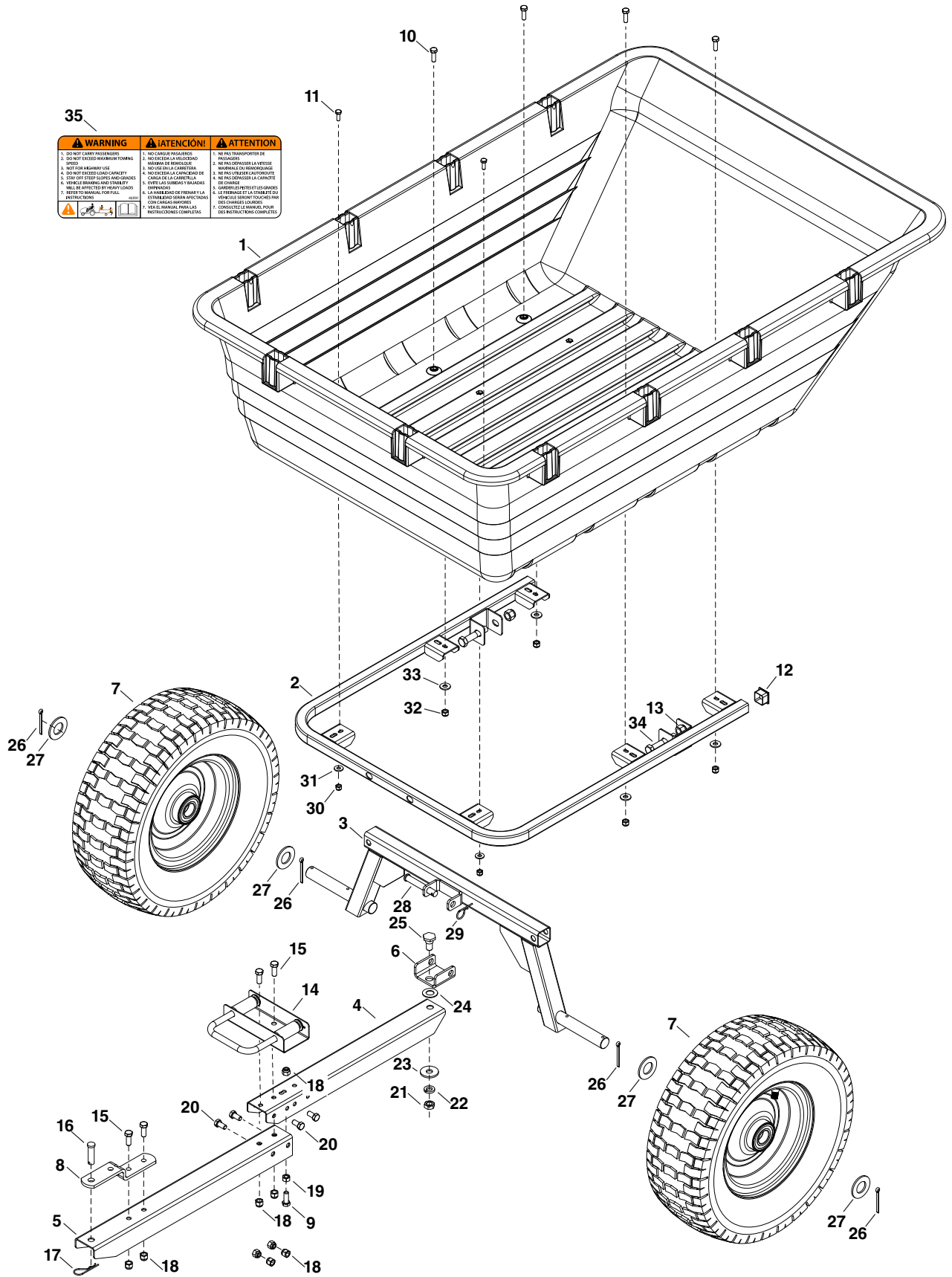


⚠ WARNING	⚠ ¡ATENCIÓN!	⚠ ATTENTION
1. DO NOT CARRY PASSENGERS	1. NO CARRER PASAJEROS	1. NE PAS TRANSPORTER DE PASSAGERS
2. DO NOT EXCEED MAXIMUM TOWING WEIGHT	2. NO EXCEDA LA VELOCIDAD MÁXIMA DE EMPUJE.	2. NE PAS DÉPASSER LA VITESSE MAXIMALE DU REMORQUAGE
3. NOT FOR BEHAVIOR USE	3. NO USE EN LA CARRETERA.	3. NE PAS CONDUIRE SUR AUTOPISTE
4. DO NOT EXCEED LOAD CAPACITY	4. NO EXCEDA LA CARGA MÁXIMA DE CARGA EN LA CARRETERA.	4. NE PAS CONDUIRE LA CARROUSE DE CHARGE
5. TURN OFF FUSE BEFORE REPAIRS	5. APAGUE EL INTERRUPTOR DE CORRIENTE ANTES DE REALIZAR REPARACIONES	5. COUPER LES CIRCUIITS ET LES SERVIRS
6. VEHICLE BRAKING AND STABILITY WILL BE AFFECTED BY HEAVY LOADS	6. LA CARGA EXCESIVA AFECTA LA ESTABILIDAD Y LA CAPACIDAD DE FRENADO DEL VEHICULO	6. LE FREINAGE ET LA STABILITE DU VEHICULE SONT AFFECTES PAR LES CHARGES EXCESSIVES
7. REFER TO MANUAL FOR FULL INSTRUCTIONS	7. VEA EL MANUAL PARA LAS INSTRUCCIONES COMPLETAS	7. CONSULTE LE MANUEL POUR DES INSTRUCTIONS COMPLETES



45-0553

REF	QTY	PART NO	DESCRIPTION	REF	QTY	PART NO	DESCRIPTION
1	1	41862	BED, CART	19	1	43015	NUT, HEX 3/8-16
2	1	69831OR1	ASS'Y, FRAME	20	4	43407	BOLT, HEX 3/8-16 X 3/4
3	1	69832OR1	ASS'Y, AXLE	21	1	HA124934	NUT, HEX 1/2-20 JAM
4	1	2-253OR1	CHANNEL, HITCH	22	1	43353	WASHER, LOC 1/2
5	1	28700OR1	CHANNEL, HITCH FRONT	23	1	R19172410	WASHER, .531 X 1.5 X .134
6	1	28750OR1	CLEVIS, PIVOT	24	1	44125	WASHER, .625 X 1 X .03
7	2	45611G	WHEEL	25	1	47363	BOLT, 1/2-20 X 1-1/8
8	1	23687BL1	BRACKET, HITCH	26	4	46855	PIN, COTTER 3/16 X 2
9	1	43087	BOLT, HEX 3/8-16 X 1-1/4	27	4	43528	WASHER, 1"
10	4	43063	BOLT, HEX 5/16-18 X 1	28	1	28704	PIN, CLEVIS
11	2	43012	BOLT, HEX 1/4-20 X 3/4	29	1	43055	PIN, HAIR 3/32 X 1.8
12	2	41778	PLUG	30	2	47189	NUT, HEX 1/4-20 NYLOC
13	2	41657	NUT, HEX 1/2-13 NYLOCK	31	2	43088	WASHER, .312 X .734 X .065
14	1	6-148	LATCH PIN BRACKET	32	4	47810	NUT, HEX .312-18 NYLOC
15	4	43001	BOLT, HEX 3/8-16 X 1	33	4	43081	WASHER, .375 X .875 X .083
16	1	HA23638	PIN, CLEVIS	34	2	46286	BOLT, HEX 1/2-13 X 3
17	1	714-0117	PIN, HAIR COTTER 5/32 X 3	35	1	46991	WARNING LABEL
18	9	HA21362	NUT, HEX 3/8-16 NYLOC		1	3-29	Owner's Manual