



# GLOBAL INDUSTRIAL™

*We can supply that.®*

User's manual

Manual del usuario

Manuel de l'utilisateur

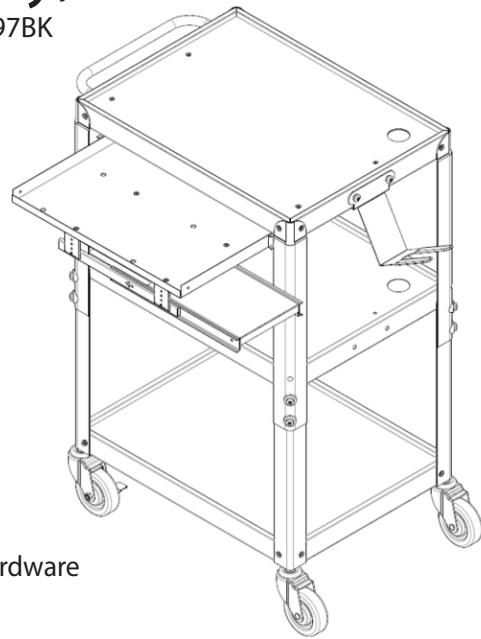
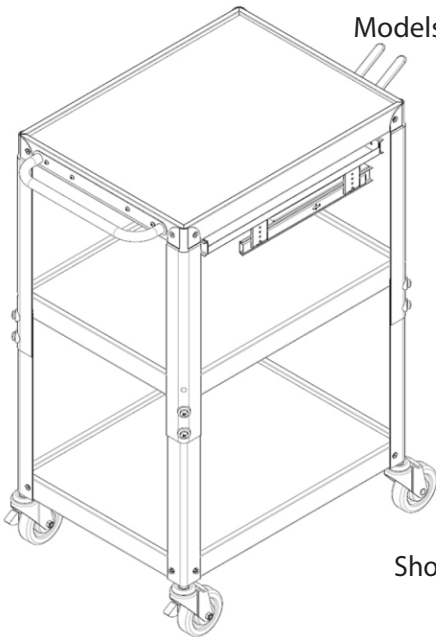
Customer Service  
US: 1-800-645-2986

Servicio de atención al Cliente  
US: 1-800-645-2986




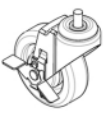




Service à la clientèle  
Canada: 888-645-2986

## Mobile Powered AV Cart with 40AH/100AH Battery, Black

Models: 436996BK / 436997BK



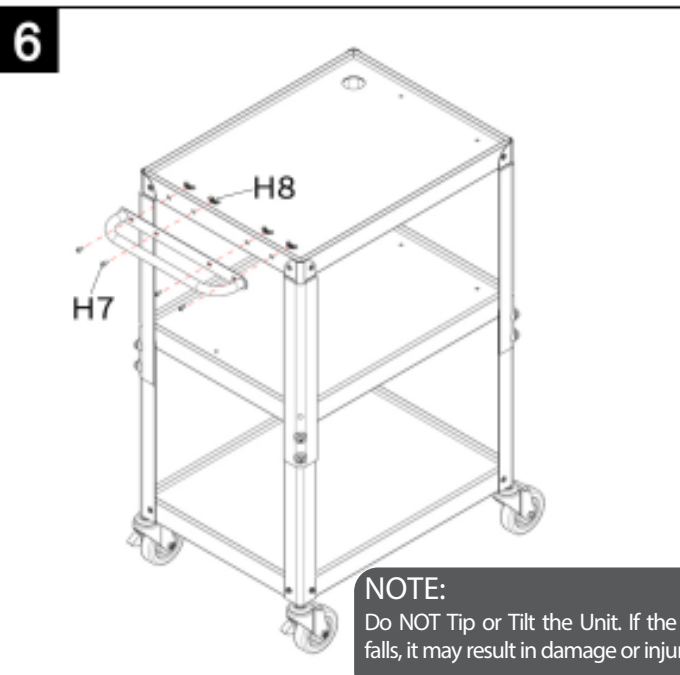
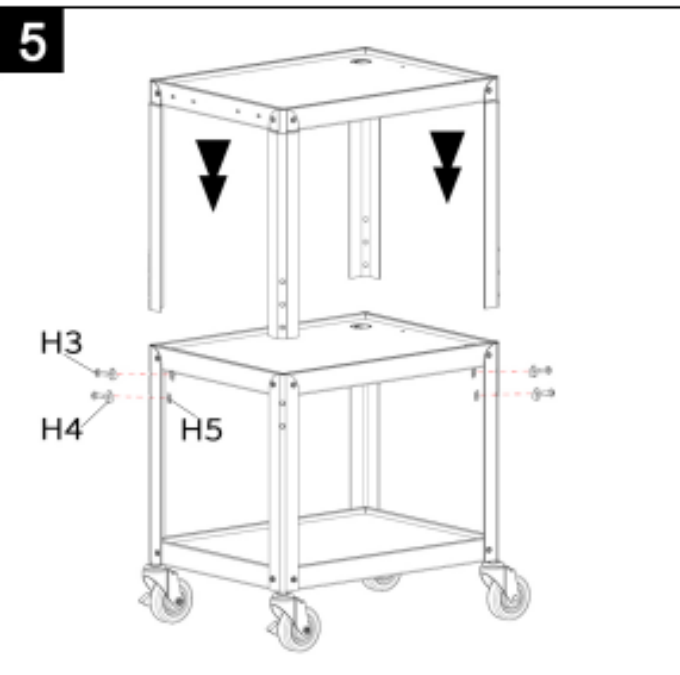
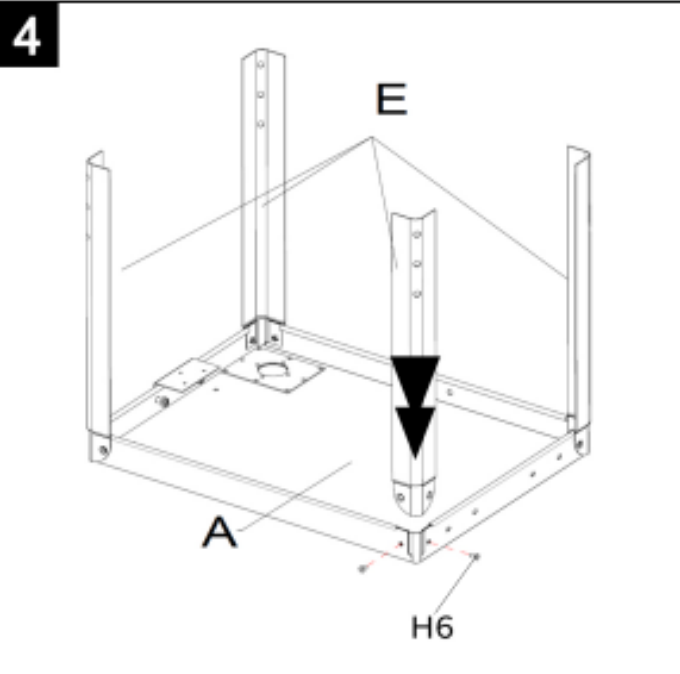
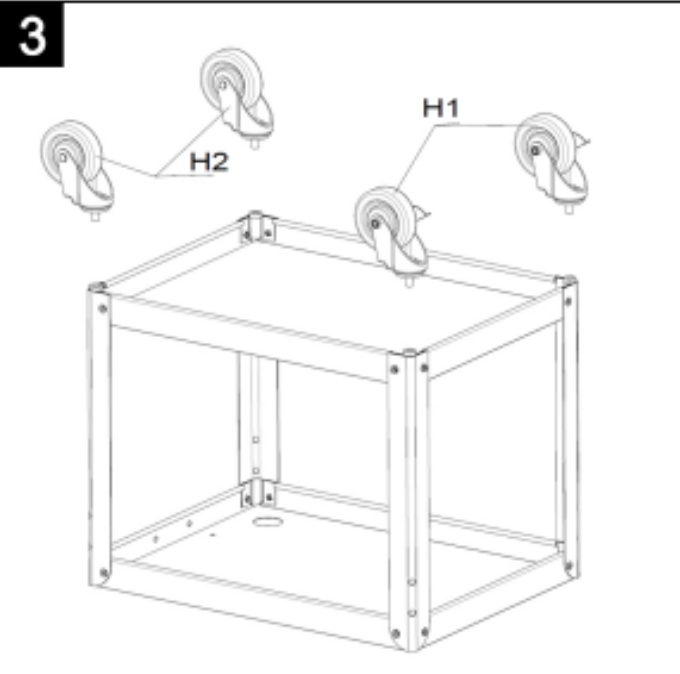
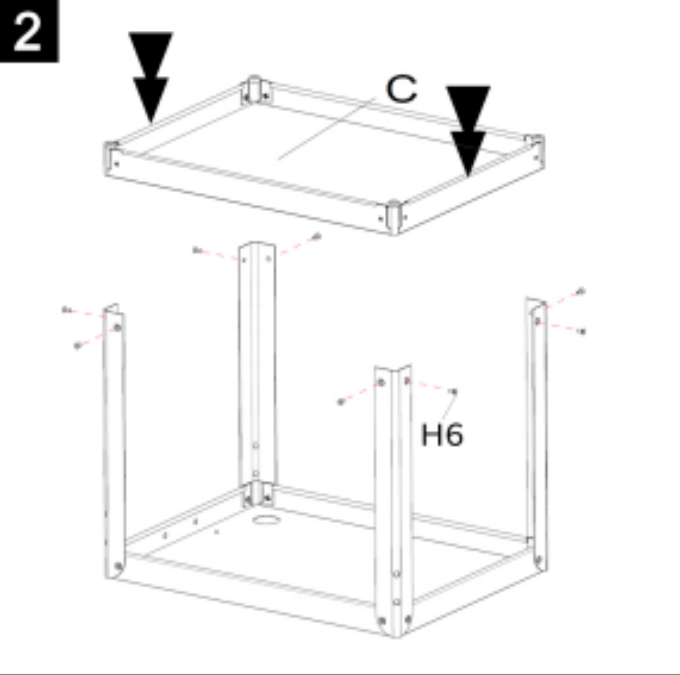
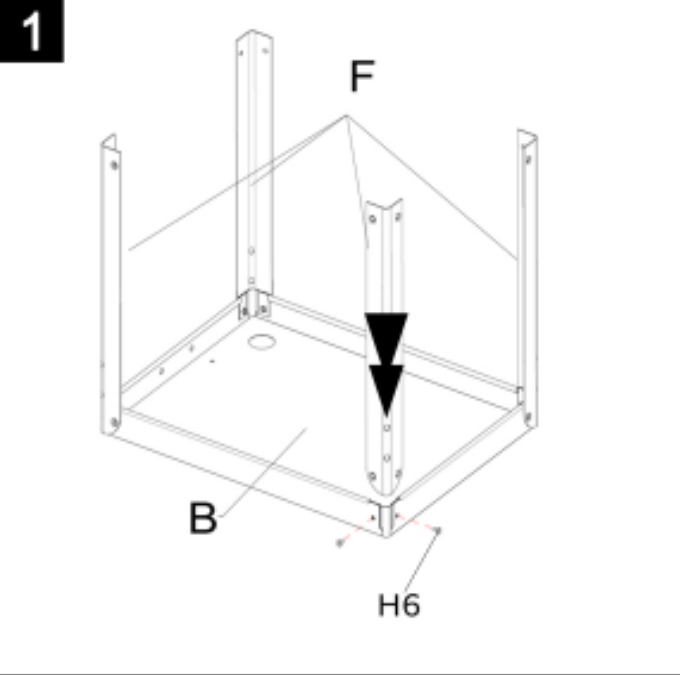
Shown with optional hardware

REF.	QTY.	Description	REF.	QTY.	Description
A	1	Top Shelf	H4	8	Washer
B	1	Middle Shelf			
C	1	Base shelf	H5	8	Nut M8
D	4	Plastic Pad			
E	4	Upper legs	H6	24	Socket head screw
F	4	Lower Legs			M5 x 10mm 
G	1	Handle	H7	4	Cross head screw
H1	2	Swivel caster with brake 	H8	4	Wing nut M5
H2	2	Swivel caster w/o brake 			
H3	8	Cross head Screw M8 x 20mm 	H9	1	Allen key 3mm
					

**Optional Items:**

Scanner Holder - 436989BK  
Printer Tray - 436995BK

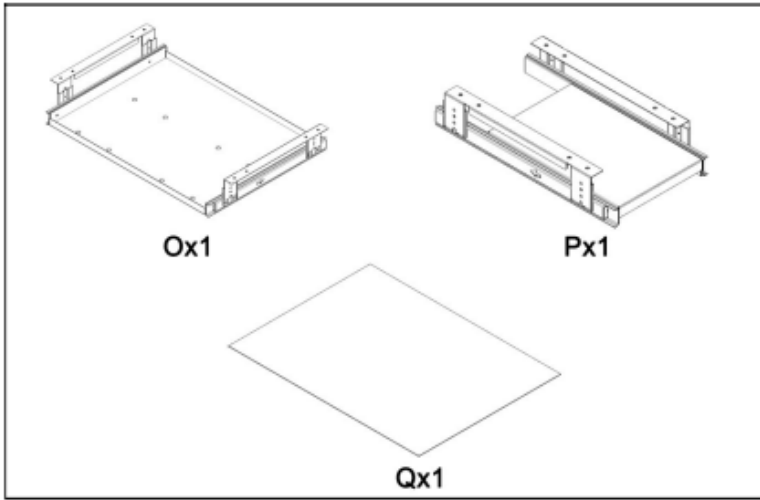
# Product Description



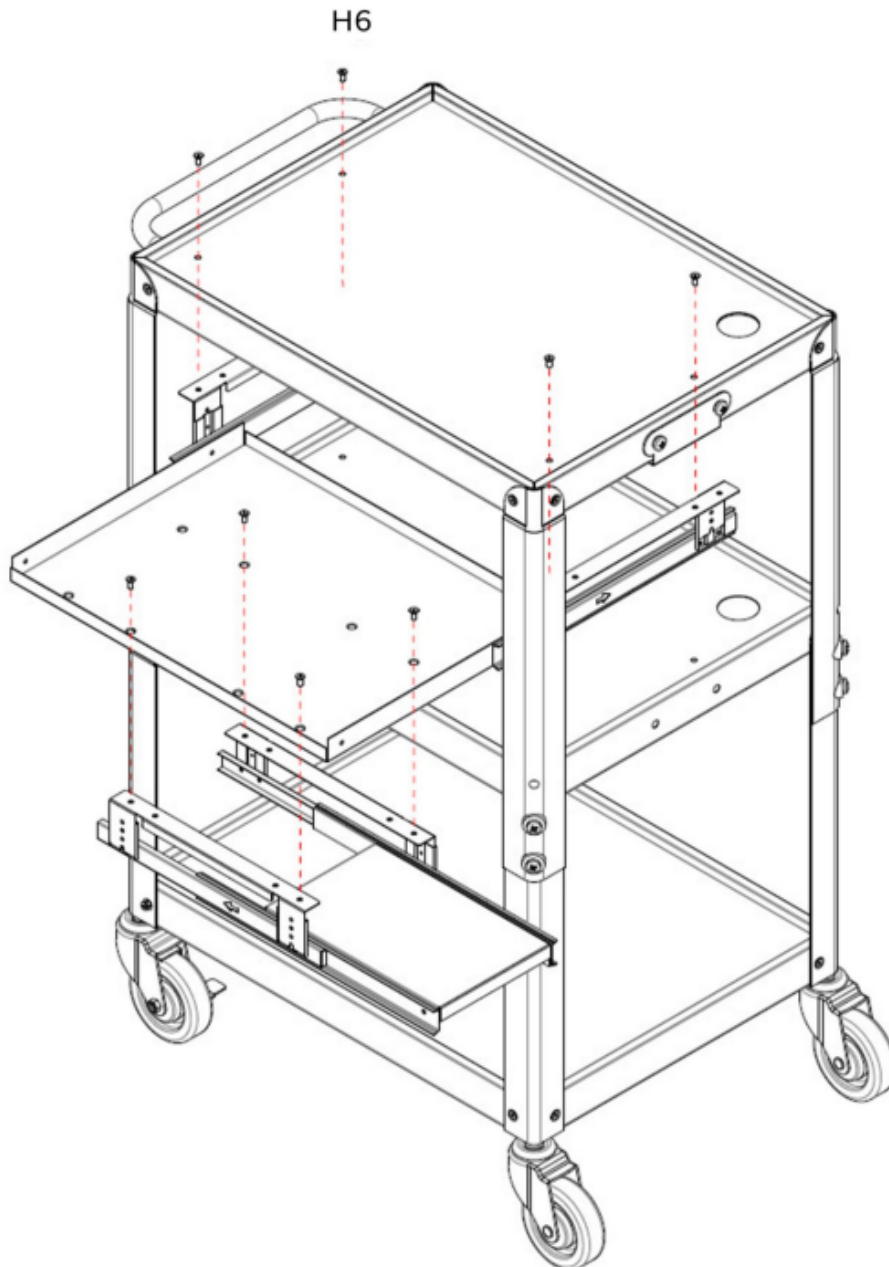
**NOTE:**  
Do NOT Tip or Tilt the Unit. If the unit falls, it may result in damage or injury

# Keyboard Tray

Model: 436994BK

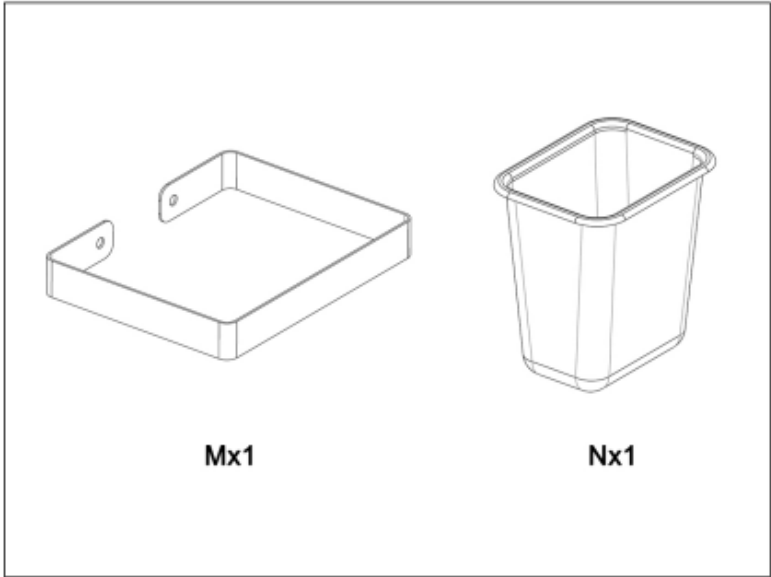


CONTENTS		
REF.	QTY.	DESCRIPTION
O	1	Keyboard Tray
P	1	Mouse Tray
Q	1	Plastic pad
H6	8	Socket head screw M5 x 10mm -----
H9	1	Allen key 3mm -----

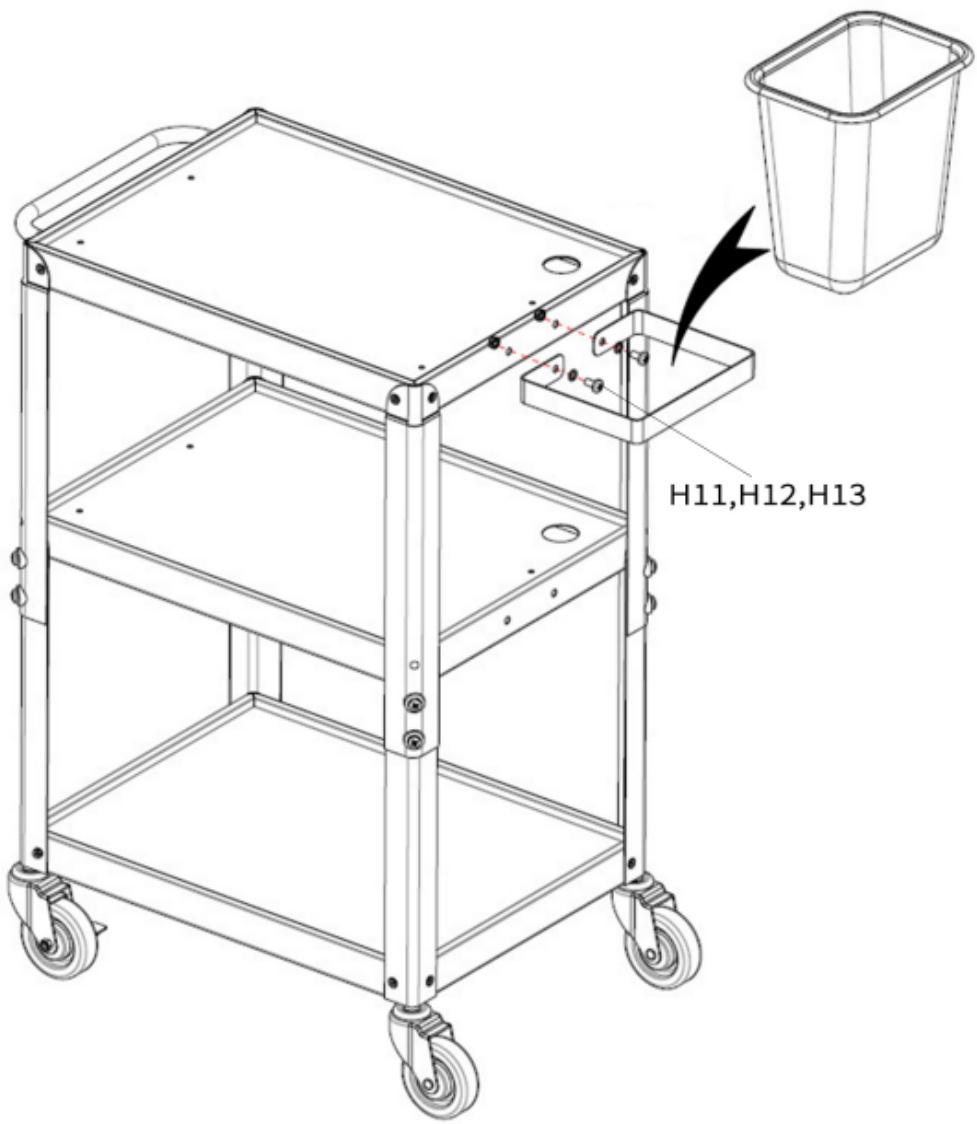


# Trash Can Holder

**Model: 436990BK/436991BK**

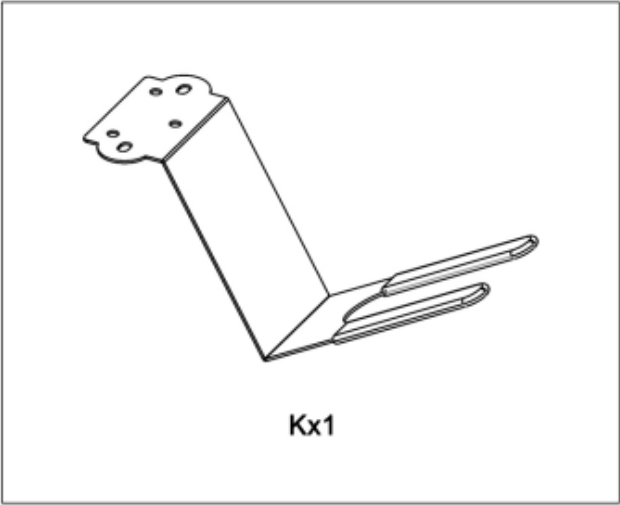




CONTENTS		
REF.	QTY.	DESCRIPTION
M	1	Trash Can Holder
N	1	Trash Can
H11	2	Hex head Bolt 5/16"-18x5/8
H12	2	Washer
H13	2	Nut 5/16"-18



# Scanner Holder

Models: 436 989BK



CONTENTS		
REF.	QTY.	DESCRIPTION
K	1	Scanner holder
H7	3	Cross head screw M5 x 12mm ----- 
H9	1	Allen key 3mm ----- 
H10	3	Self-Tapping screw M4 x 20mm ----- 