



www.globalindustrial.com

1-800-645-2986

STRIP DOOR INSTALLATION INSTRUCTIONS

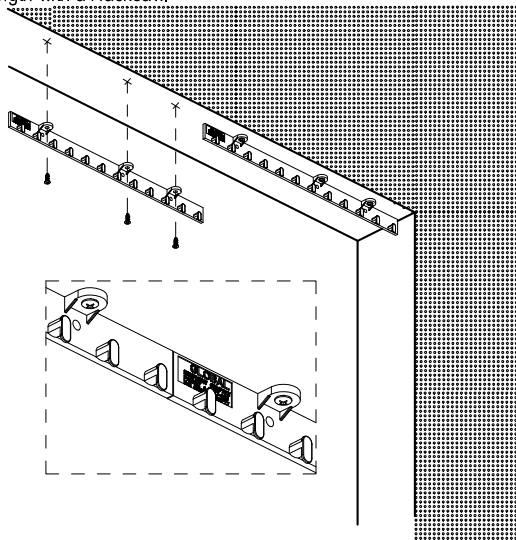
1. MOUNT HOOK STRIPS

NOTE: Mounting Hardware is not provided. Suitable hardware should be selected depending on existing Wall and Jamb conditions. **CAUTION:** ENSURE THAT HOOKS STRIPS ARE SECURELY FASTENED PRIOR TO HANGING VINYL STRIPS.

FOR LINTEL MOUNT

Mount under Door Jamb

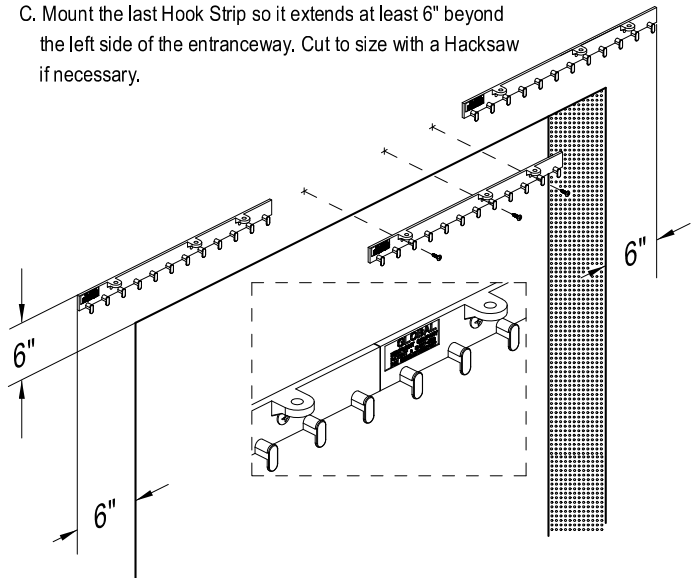
- Starting from the Right Side of the entranceway, securely mount the Global Hook Strip to the underside of the Door Jamb using 3 Bolts.
- Continue mounting additional Hook Strips to the Jamb, making certain that each Strip is touching the previous Strip. (Do not leave any space between the Hook Strips, as the 2" centerline between the pegs must be maintained.)
- If the last Hook Strip is too long to fit inside the Jamb, cut to length with a Hacksaw.



FOR WALL MOUNT

Mounted Above Door when there is not adequate clearance below the Door Jamb.

- Starting 6" beyond the right side of the entranceway, securely mount the Global Hook Strip to the Wall or Beam approximately 6" above the Door Jamb.
- Continue mounting additional Hook Strips to the Wall, making certain that each Strip is touching the previous Strip. (Do not leave any space between the Hook Strip, as the 2" Centerline between the Pegs must be maintained.)
- Mount the last Hook Strip so it extends at least 6" beyond the left side of the entranceway. Cut to size with a Hacksaw if necessary.

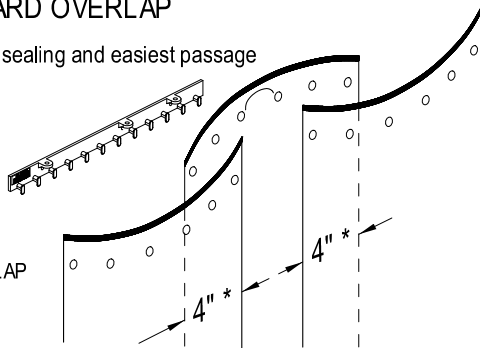


2. SELECT OVERLAP PATTERN FOR VINYL STRIPS

A. STANDARD OVERLAP

Most common, for best sealing and easiest passage between areas.

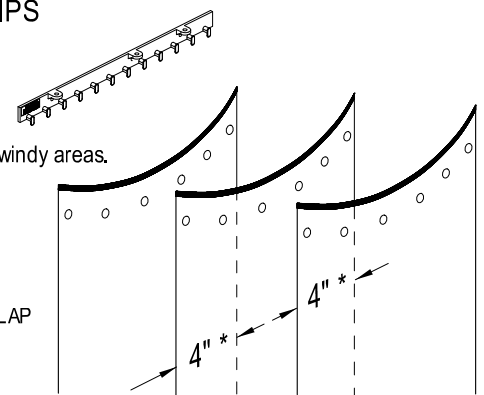
*2" FOR 33% OVERLAP



B. SHIPLAP

Alternate hanging method for windy areas.

*2" FOR 33% OVERLAP



3. HANG VINYL STRIPS

- Hang Vinyl strips onto the Pegs according to the guide pattern selected above by placing the punched holes over lower tab of Pegs, and stretching over the Top Flange. (Note that concave side has an inverted "U" embossed on the Top Edge.

- Hang one Safety Orange Strip at each end.
- Once all strips are mounted, trim to give a minimum of 1/4" clearance above the floor.

