



GLOBAL INDUSTRIAL™

We can supply that.®

User's manual

Manual del usuario

Manuel de l'utilisateur

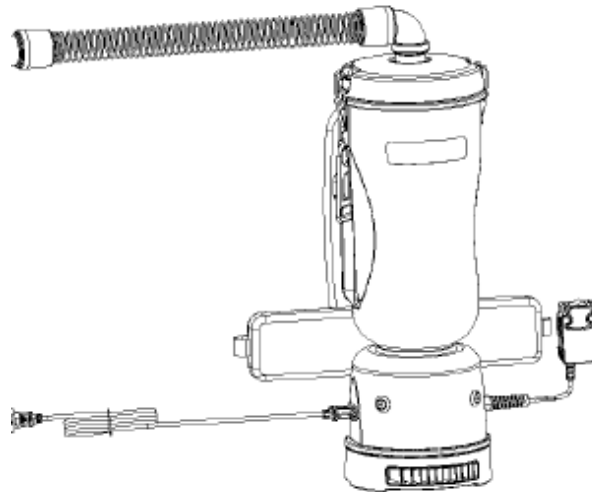
Customer Service
US: 1-800-645-2986

Servicio de atención al Cliente
US: 1-800-645-2986

Service à la clientèle
Canada: 888-645-2986

Backpack Vacuum 10 Quart - HEPA

Model: 641754



⚠ WARNING:

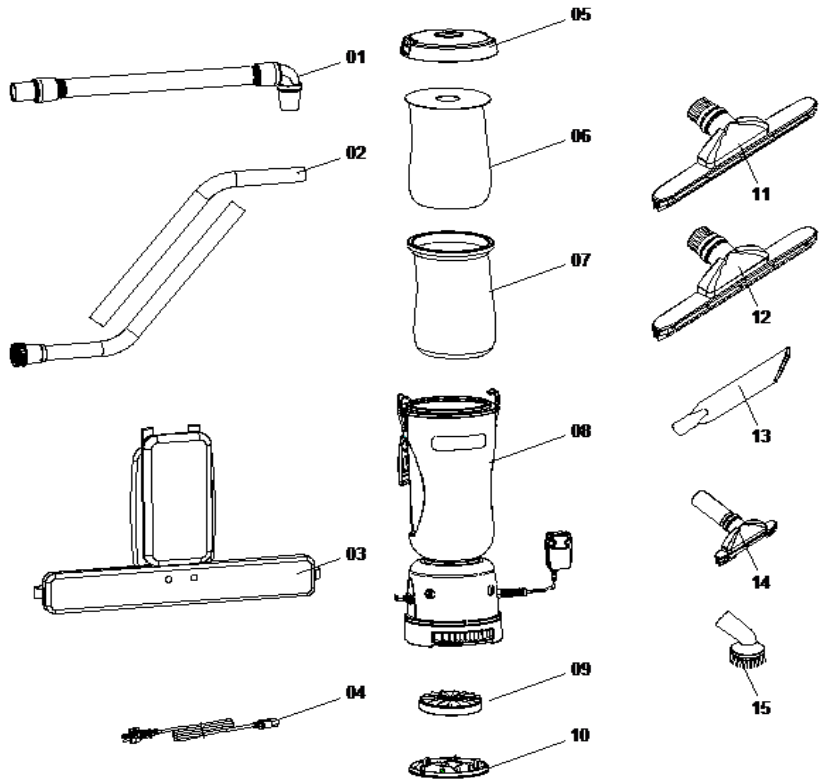
- Do not leave the vacuum cleaner alone when the power is on. Unplug the machine when not in use or before removing filter.
- Do not immerse the vacuum cleaner in water or other liquids.
- Do not use it to pick up cement ash, wood chips, sand, etc.
- Please follow the instructions. Use only the accessories recommended by the manufacturer.
- Do not use the power cable or plug when it is damaged. Do not use the machine if it has been dropped, damaged, left outdoors, or dropped into water. Please send the machine to us for inspection, repair or adjustment.
- Do not pull the power cord to drag the machine or lift the machine; Please do not leave the cable line crashed by door. Please keep the cord away from sharp edges or corners. Do not step on the power cord. Do not allow the power cord to touch hot surfaces.
- Do not unplug the machine by pulling the cord. To pull the plug, grab the plug, not the cable.
- Do not touch plugs or machines with wet hands.
- Do not use the vacuum cleaner to pick up large objects or objects that could damage the machine.
- Keep hair, loose clothing, fingers, feet and other parts of the body away from vacuum's inlet, rolling brushes, and other moving parts. Never vacuum with barefoot or open-toed shoes.
- Do not pick up heat coal, cigarette ends, matches, or anything hot, smoking, or burning.

- Do not pick up hard or sharp objects such as mirrors, nails, screws, and coins.
- Do not use a vacuum cleaner if the filter is not in a proper position. Only use filters and accessories provided by us or our nominated suppliers. Using other brands will void warranty.
- Turn off all switches on the vacuum cleaner before powering on or powering off.
- Be extra careful when vacuuming on the stairs.
- Do not vacuum flammable or inflammable materials (lighter fluid, gasoline, kerosene, etc.) or use with explosive liquids or gases present.
- Do not use a vacuum cleaner in a confined space filled with gases released by oil-based paints, paint thinners, insect repellents, combustible dust, or explosive and toxic gases
- Use only indoors and on dry surfaces.
- Do not put anything into the vacuum tunnel. Do not use a vacuum cleaner when the vacuum inlet is blocked. Remove dust, cotton thread, hair, and other material from your body that may slow the flow of air.
- Store the machine indoors in a cool, dry area.
- Keep lights on in your cleaning area.
- Place hose ports, handles, and other holes away from your face and body.
- This machine is not suitable for children, disabled, or those who are lack of relevant knowledge and experience, unless there is special guidance/supervision to ensure their safety.

Backpack Vacuum

1 Main Parts of the Backpack Vacuum Cleaner

PARTS	
#	Description
1	Hose
2	Metal Wand
3	Harness
4	Electric Cable
5	Top Cover
6	Dust Bag (A)
7	Dust Bag (B)
8	Body
9	HEPA
10	Bottom Cover
11	Brush (Bristle)
12	Brush
13	Long Crevice Tool
14	Small Brush
15	Round Brush



Backpack Vacuum

2 Operating Instructions

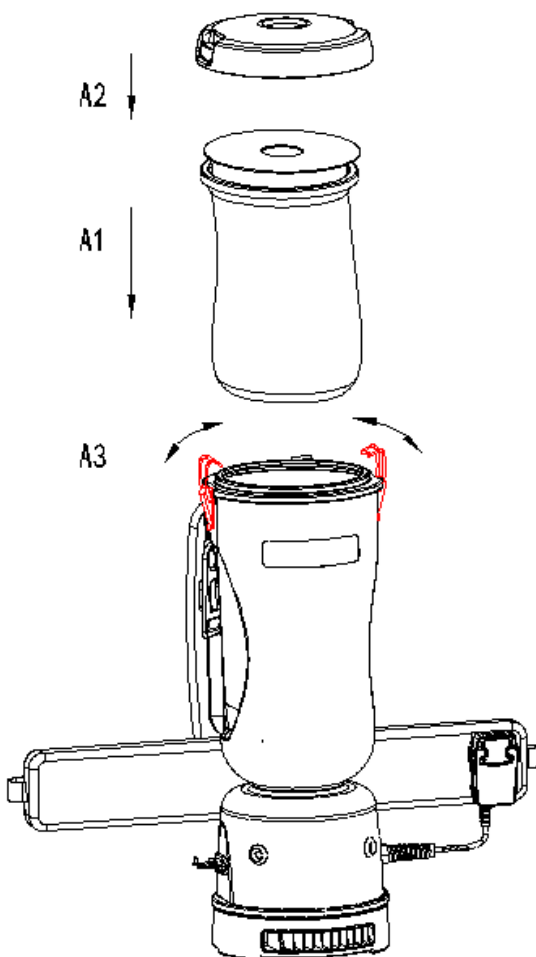
⚠ WARNING:

To reduce the risk of electric shock, Please make sure to disconnect the power supply before removing dust bags, cloth bags, changing filters, or repairing or checking the machine.

Note: Disconnect the power supply before assembling or removing accessories.

Dust Bag Assembly

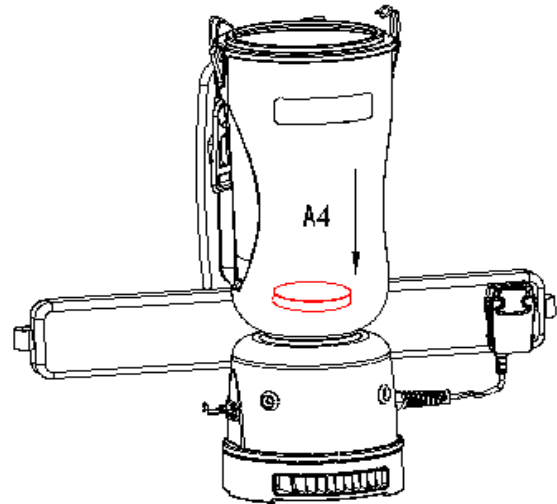
1. Disconnect the power supply
2. Open the clip (A3), put the dust bag inside (A1) put on the cover (A2) and lock it with the clip.



3. Filter sponge is at the bottom of the machine body. Open the lock to see (A4). Remove and clean after operation.

⚠ WARNING:

Do not overfill the dust bag. When the dust bag is full, be sure to replace the dust bag. Please clean the dust bag and filter sponge by shaking when you replace the dust bag.

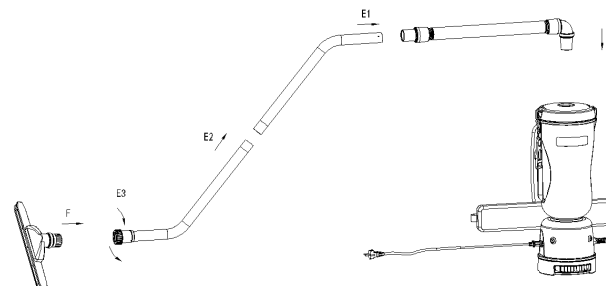


Clean and Replace the Dust Bag

Note: When replacing the dust bag, shake the dust bag outdoors.

Accessories Assembly

After connecting the brush, stainless steel elbow, and hose, insert the other end of the hose into the connector above the machine (D).



Note: When connecting the brush and the stainless steel elbow, first rotate the joint of the stainless steel elbow, and then tighten it after the brush is connected (E3).

Backpack Vacuum

3 Operating Instruction (cont'd)

Accessory Use

Round Brush

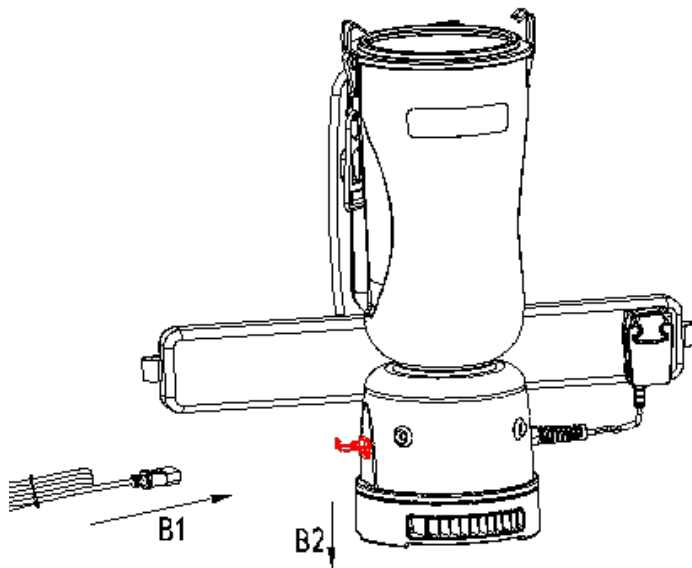
Used to clean furniture and seat surfaces.

Long Crevice Tool

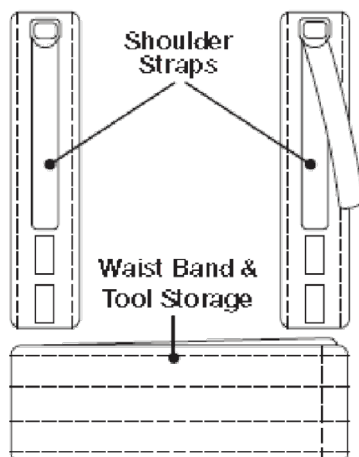
Used to clean heat radiator, gaps, and corners.

How to Use the Machine

1. Connect the plug to the body socket (as shown in the picture, the machine is designed with a power plug protection lock to prevent the power plug from falling off due to dragging) and connect the other end to the power supply.

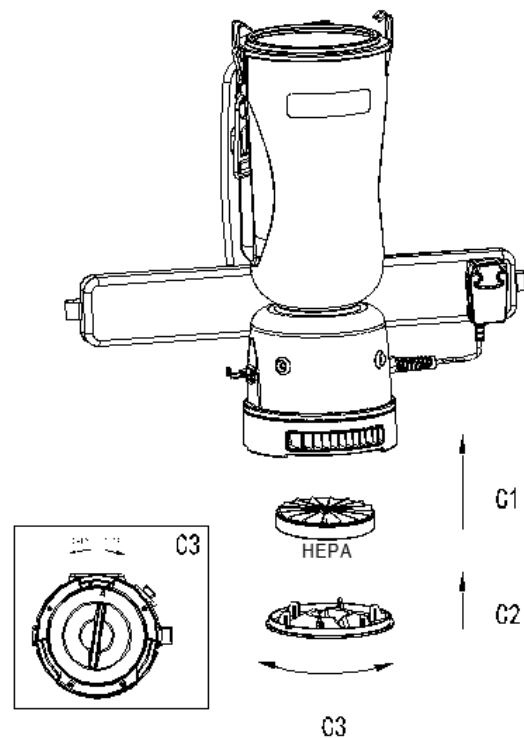


2. Connect long floor brush (or large round brush, long flat suction, dust brush), stainless steel elbow and hose.
3. Properly secure shoulder straps and belts.
4. Warning: If the belt and shoulder strap are not secured, the machine may fall off and cause injury.
5. Press the power switch button on the body to open the machine.



Clean HEPA

Important: This HEPA filter will block most fine dust particles and allergens. In fact, it blocks 99.97 percent of particles as small as 0.3 microns, much smaller than a human hair. Because of this incredible filtering performance, the HEPA will be blocked with some small particles that can't be seen. To ensure that the HEPA is working, please clean after each use as described below.



1. Open the air outlet bracket. Remove the HEPA.
2. Clean the inlet air HEPA with running water to remove any residue
3. You can rinse the HEPA under running water at least once a month or when suction drops