

interion[®]

globalindustrial.com
1.800.645.1232

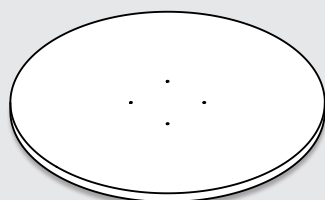
ASSEMBLY INSTRUCTIONS

Bar/Counter Height Restaurant & Lunchroom Tables

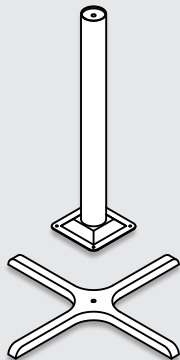
Models: 695799, 695800, 695801, 695802, 695803, 695804
695805, 695806, 695807, 695808, 695809, 695810

Add Color Suffix: MH (Mahogany), OK (Oak), GY (Gray), CL (Charcoal)

TABLE COMPONENTS



Tabletop



Support Pole

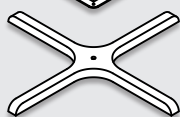


Table Base

HARDWARE

(INCLUDED WITH SUPPORT POLE)



4x Screws

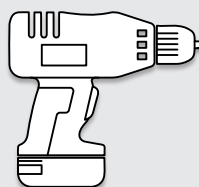


1x Bolt

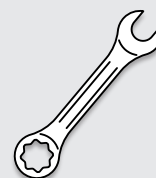


1x Washer

TOOLS FOR ASSEMBLY

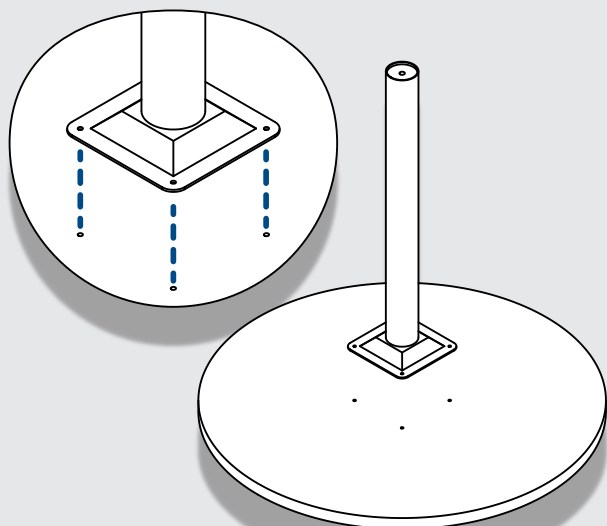


Drill

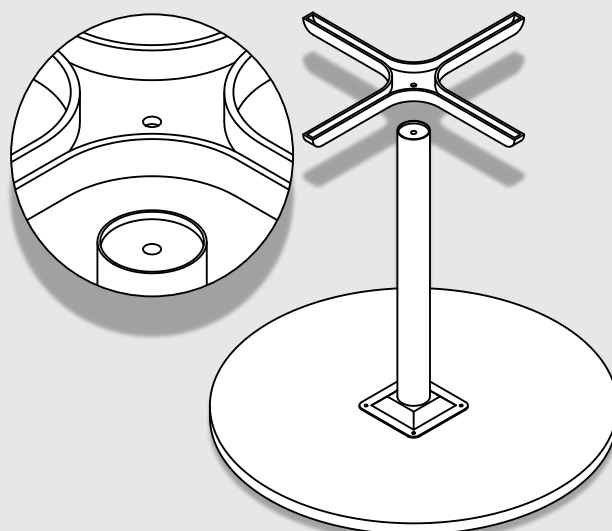


Wrench

- 1** Install Table support pole to the pre-marked holes on the tabletop using the 4 included screws.



- 2** Install the table base to the table support pole using the included bolt and washer.



- 3** If your table came with two poles and bases then repeat steps 1 and 2. Once completed, turn your table over.

Congratulations, your table is now assembled and ready to be used!