



Installation Instructions: DS3

FORD SUPER DUTY 6'9" BED LENGTH 2017-CURRENT

TOOLS REQUIRED

- Adjustable wrench (that opens to about 1")
- 1/2" open end wrench
- #2 Phillip screwdriver
- 3/8" socket
- 7/16" deep socket
- 1/8" Allen wrench
- 7/32" Allen wrench
- 1/2" drill bit
- Wire cutters

Watch short installation videos at www.decked.com/video | Register your system at www.decked.com/warranty

FOLLOW US:      @DECKEDUSA | #DECKEDUSA

VERSION 5

DECKED.COM | 208.806.0251

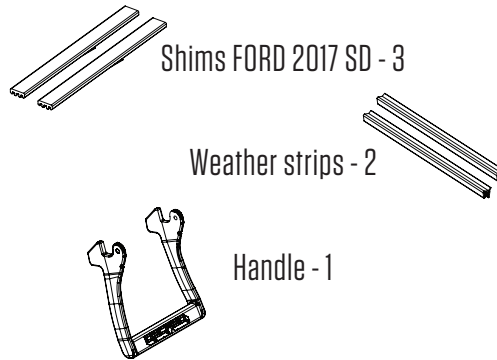
CONTENTS

DECKED carton

- LEFT/DRIVER deck half - 1
- RIGHT/PASSENGER deck half - 1
- Center vert - 1
- Drawer - 2
- Cabside ammo can - 2
- Tailgate side ammo can - 2
- Ammo can lid - 4
- Ammo can window - 2
- C-channel - 2
- Ruler - 1
- Hardware box - 1
- Torsion brace - 1
- Bottle opener - 1

Hardware box - unbagged components

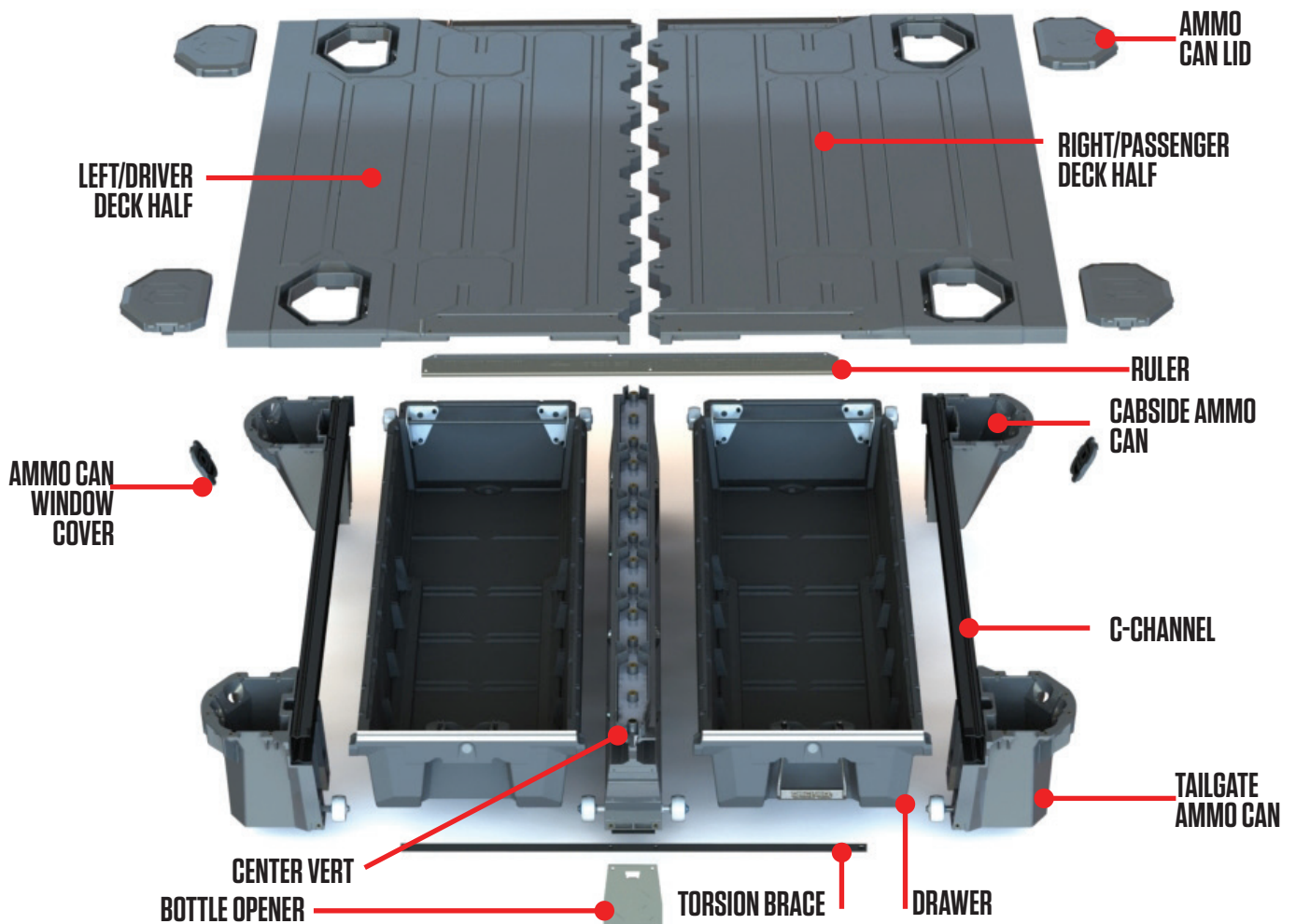
(inside DECKED carton):



HARDWARE box - bagged components

- PREP DS3 - 1
- C-CHANNEL - 1
- BOLT 1 FS (B1) - 1
- CS AMMO CANS - 1
- J3 - 2
- J10 - 2
- DRAWER 1 - 1
- DRAWER 3 - 1
- HANDLE - 1
- WHEELS - 1
- PREP-EXTRA - 1
- WASHERS - 1
- PREP TBO - 1

ASSEMBLY OVERVIEW



▼ HEY! TORQUE BOY: READ BEFORE YOU INSTALL DECKED ▼

1. **DON'T** be an idiot read the instructions.
2. **DON'T** over tighten bolts, get em' hand-tight.
3. **DON'T** use power tools.
4. If you don't follow directions and *do* use power tools:
 - 1). Set clutch at a very low setting. 2). If you blow it, see NOTE.*
5. Start all bolts with fingers to avoid cross-threading
6. **DON'T** over tighten J-hooks during installation. Make 'em good and snug enough to keep the system from moving in the bed.
7. Nice job if you're still reading .

NOTE* Two extra threaded inserts are included in **BAG PREP-EXTRA**. That's all you get. The inserts will replace any stripped inserts in the tailgate ammo cans, but **NOT THE CENTER VERT**, so hand tighten until snug only! You can also screw the inserts back in if dislocated. There is a straight screwdriver slot on the underside of the insert.

TAILGATE ammo cans have wide bottoms; **CABSIDE** ammo cans have narrow bottoms.

NOTE: You will need a buddy to help with exactly two steps, not including draining the sixpack or snapping pics of you posing.

Prevent abusive, expletive-filled language, watch our detailed installation video or give us a call. We're happy to help!

208.806.0251 | DECKED.COM/INSTALLVIDEO

AMMO CAN DRAIN HOLES

(TO DRILL OR NOT TO DRILL.)

• Do you use a tonneau or shell over your DECKED system?

There is no need to drill holes.

• Does your DECKED system live outside?

The ammo cans will get water in them. You'll need to drill holes in the ammo cans.

There are two dimples in the bottom of each ammo can. Drill a 1/2" hole at each dimple. A smaller hole will get clogged.



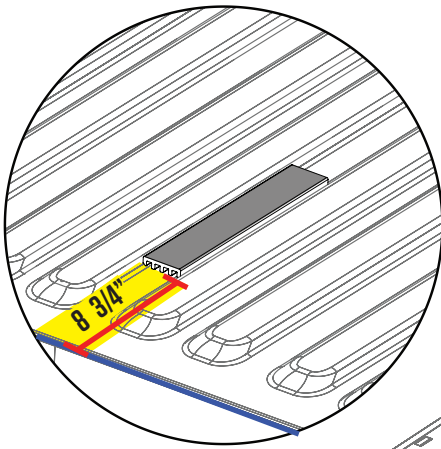
SHIMS

- There are **3 SHIMS** provided; 2 narrow (detail A) and 1 wide (detail B).
- Using the information in the respective circular detail views:
 - a) Clean the surfaces thoroughly where the shims will be located (isopropyl alcohol is recommended).
 - b) Remove the layer of tape on the bottom of the shim to expose the adhesive surface.
 - c) Place the shim and apply with pressure.

NOTE: Repeat detail A on passenger side.

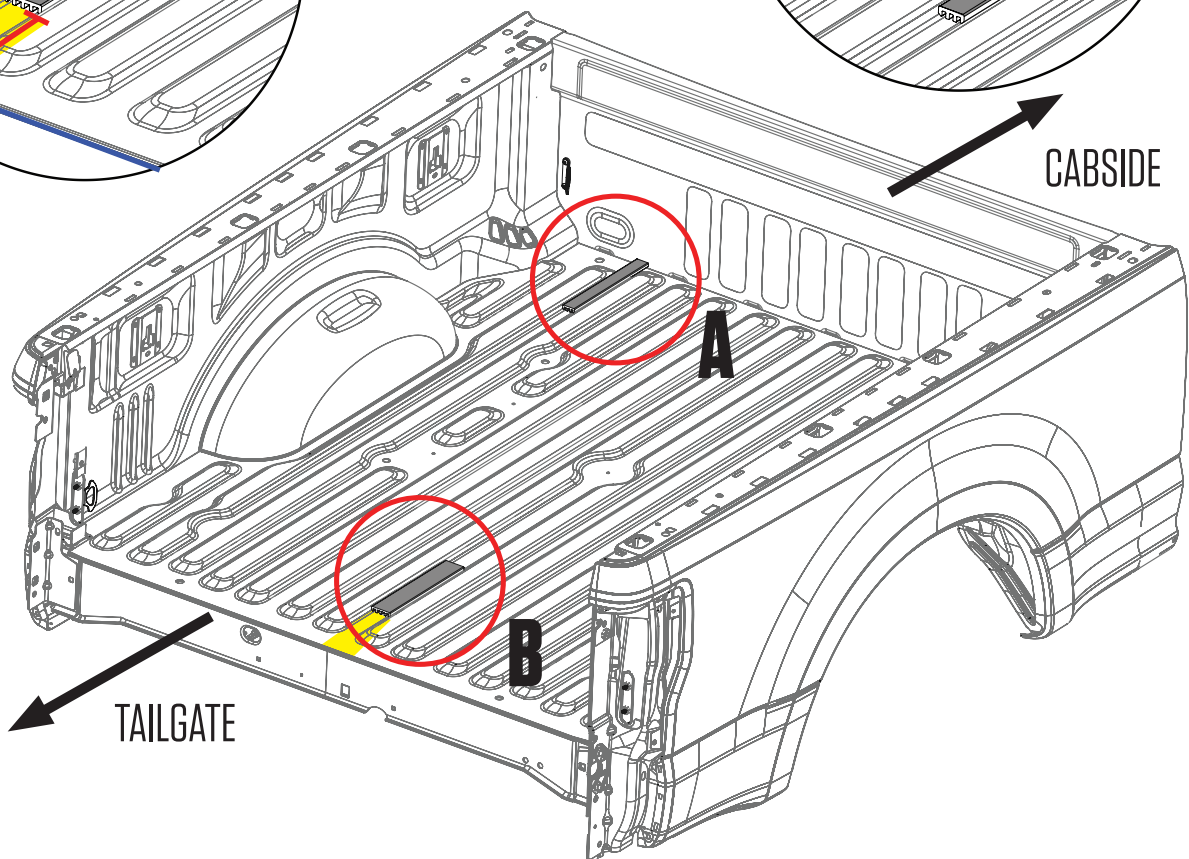
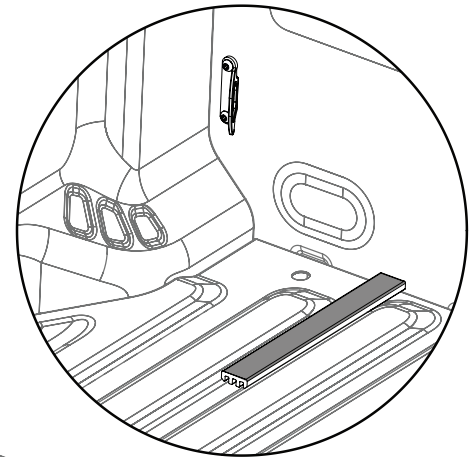
DETAIL B

Place shim 8 3/4" from seam in floor (blue).
Align in center of floor beads as shown.



DETAIL A

Align shim with cabside panel of bed, place between floor beads shown. **Repeat on passenger side.**



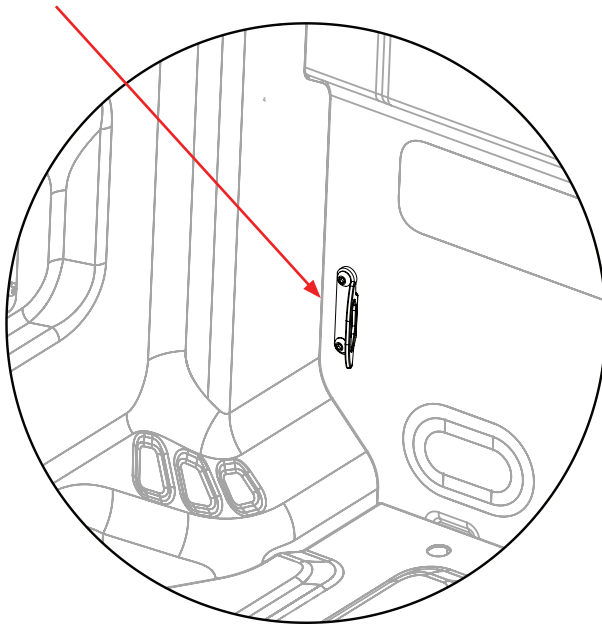
PREP BED

(JUST LIKE YOUR MOMMA TAUGHT YOU.)

- Remove **cabside** factory tie-downs on both sides of truck bed (T40 Torx driver) and **SAVE THE BOLTS**.
- Aluminum and coated steel don't like each other, so the Aluminum Super Duty requires a shim between the **cabside** ammo can J-hook brackets and the bed. Install DECKED cabside tie-down brackets on both sides of the truck with the soft rubber shim placed between the bracket and the sidewall; **BAG PREP DS3**.

NOTE: Use factory tie-down bolts for DECKED bracket.

REMOVE FACTORY TIE-DOWN BRACKET



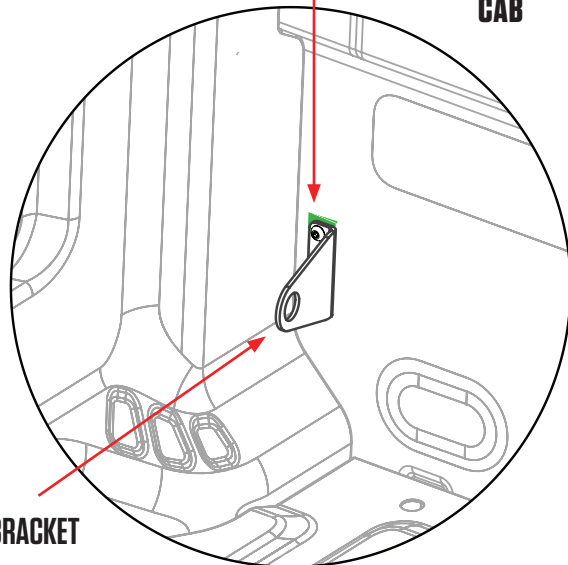
SAVE THESE BOLTS

FACTORY FORD SUPER DUTY
TIE-DOWN BRACKETS

SHIM (SHOWN IN GREEN)



CAB



DECKED BRACKET

REUSE BOLTS

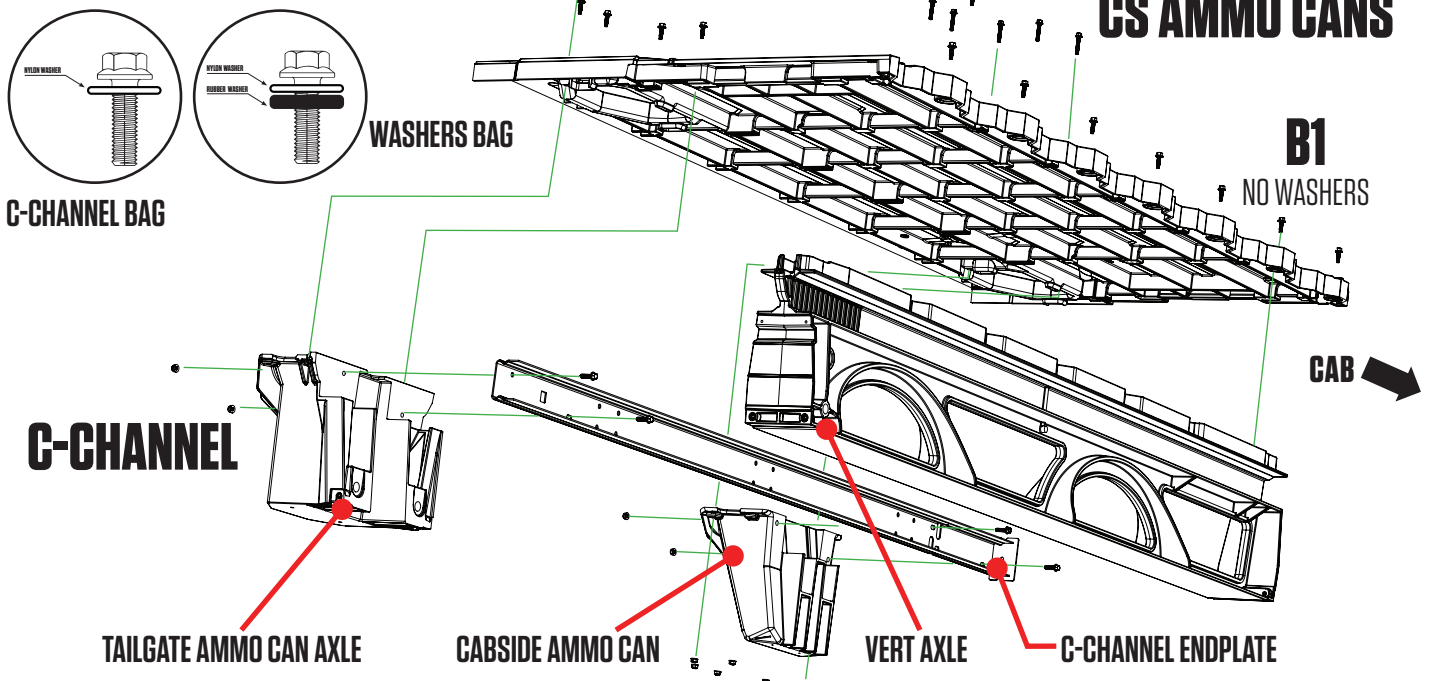
DECKED
TIE-DOWN BRACKETS

ASSEMBLY: DRIVER'S SIDE DECK

(LET'S DO THIS!)

- There are three pre-installed gaskets – one on the center vert, one on each underside of the decks where they rest on the center vert. Do yours look weird? See them here: [DECKED.COM/GASKETS](https://www.decked.com/gaskets)
- Place C-channel on the **inside** ledges of a cabside ammo can and a tailgate ammo can.
- The end of the C-channel with the endplate must rest on the cabside ammo can.
- Verify that the tailgate ammo can's axle is closest to the tailgate; if not, grab the other tailgate ammo can.
- Install nylon washers onto all bolts in **BAG C-CHANNEL**. If your bag doesn't have nylon washers, skip this step.
- Loosely bolt C-channel to the two ammo cans. Make sure the bolt head is on the C-channel side, not inside the ammo can; **BAG C-CHANNEL**. Don't tighten yet.
- Line up the driver's side deck (sticker on end of deck panel indicates LEFT/DRIVER) on top of the C-channel/ammo can assembly and the center vert bosses. **NOTE: Tailgate side of the center vert has an axle installed; the center vert and ammo can axles must be on the tailgate end (not cabside end) of the assembly.**
- Use **WASHERS** bag to install nylon & rubber washers on all **CS AMMO CAN** bolts. Install the same washers on 12 **B1** bolts.
- Bolt the deck to the ammo cans; **BAG B1** for the tailgate ammo can, **BAG CS AMMO CAN** for the cabside ammo can.
- **Now go back and tighten the loose bolts connecting the ammo cans to the C-channel.**
- Bolt the deck to the center vert; **BAG B1** (no washers): **Do not use power tools!**

DRIVER SIDE DECK HALF

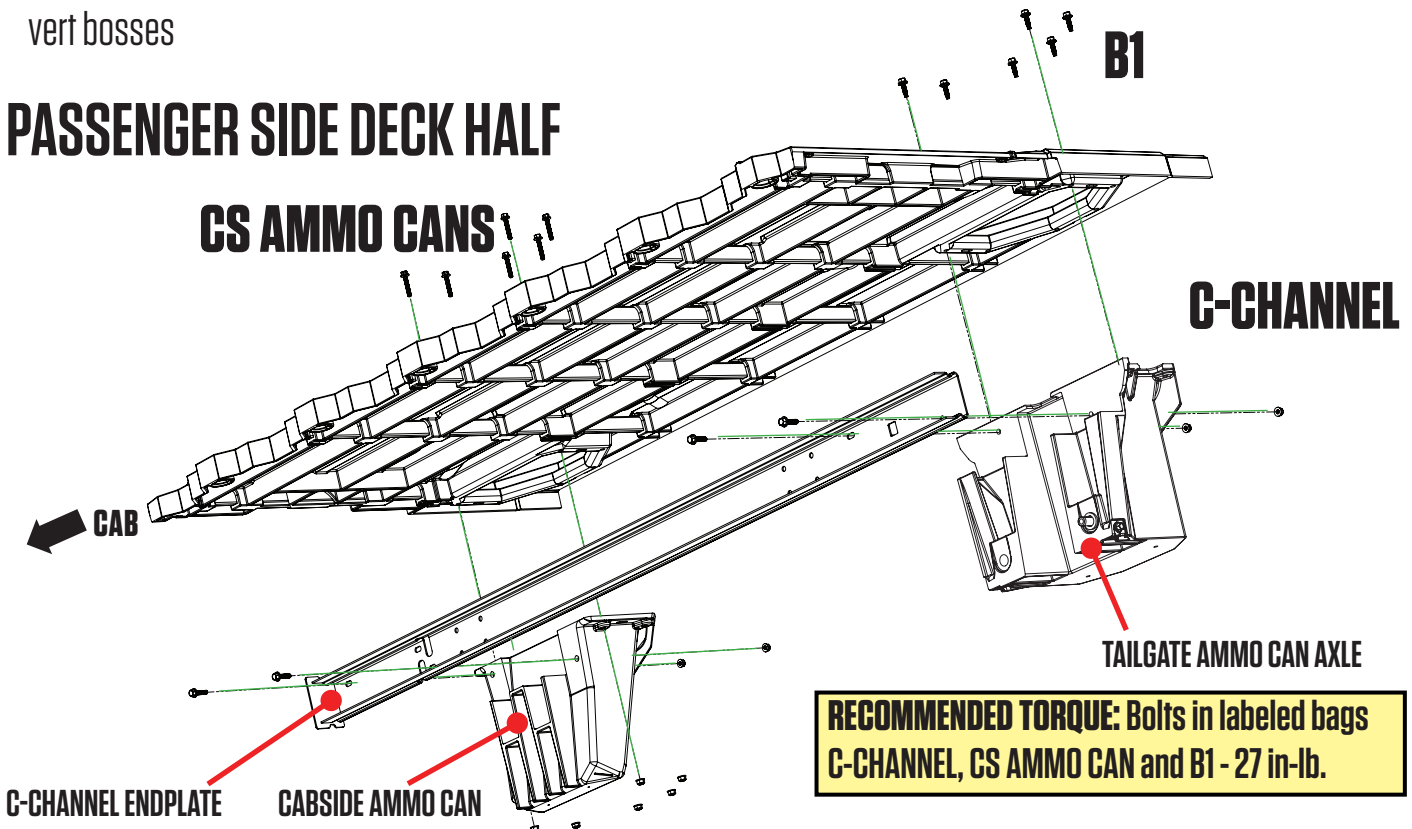


ASSEMBLY: PASSENGER'S SIDE DECK

(NOW YOU'RE ACTUALLY GETTING SOMEWHERE!)

- Using the assembly just built as a support, assemble the passenger side.
- Place C-channel on the **inside** ledges of a cabside ammo can and a tailgate ammo can.
- The C-channel endplate must rest on the cabside ammo can.
- You should have the correct tailgate ammo can for this step. The axle will be on the tailgate side of the system. If not, swap the tailgate ammo cans now.
- Loosely bolt C-channel to the two ammo cans. Make sure the bolt head is on the C-channel side, not inside the ammo can; **BAG C-CHANNEL** (with nylon washers if you have them). Don't tighten yet.
- Line up the passenger's side deck (sticker on end of deck panel indicates RIGHT/PASSENGER) on top of the C-channel/ammo can assembly.
- Bolt the deck to the ammo cans; **BAG B1** (with nylon and rubber washers) for the tailgate ammo can, **BAG CS AMMO CAN** (with nylon and rubber washers) for the cabside ammo can.
- **DO NOT bolt passenger deck to center vert.**
- **Now go back and tighten the loose bolts connecting the ammo cans to the C-channel.**
- Grab your buddy to help you lift the driver side assembly into the driver side of the truck bed. Lift the passenger side assembly into the passenger side of the truck bed and seat the passenger side deck on the upstanding vert bosses

PASSENGER SIDE DECK HALF

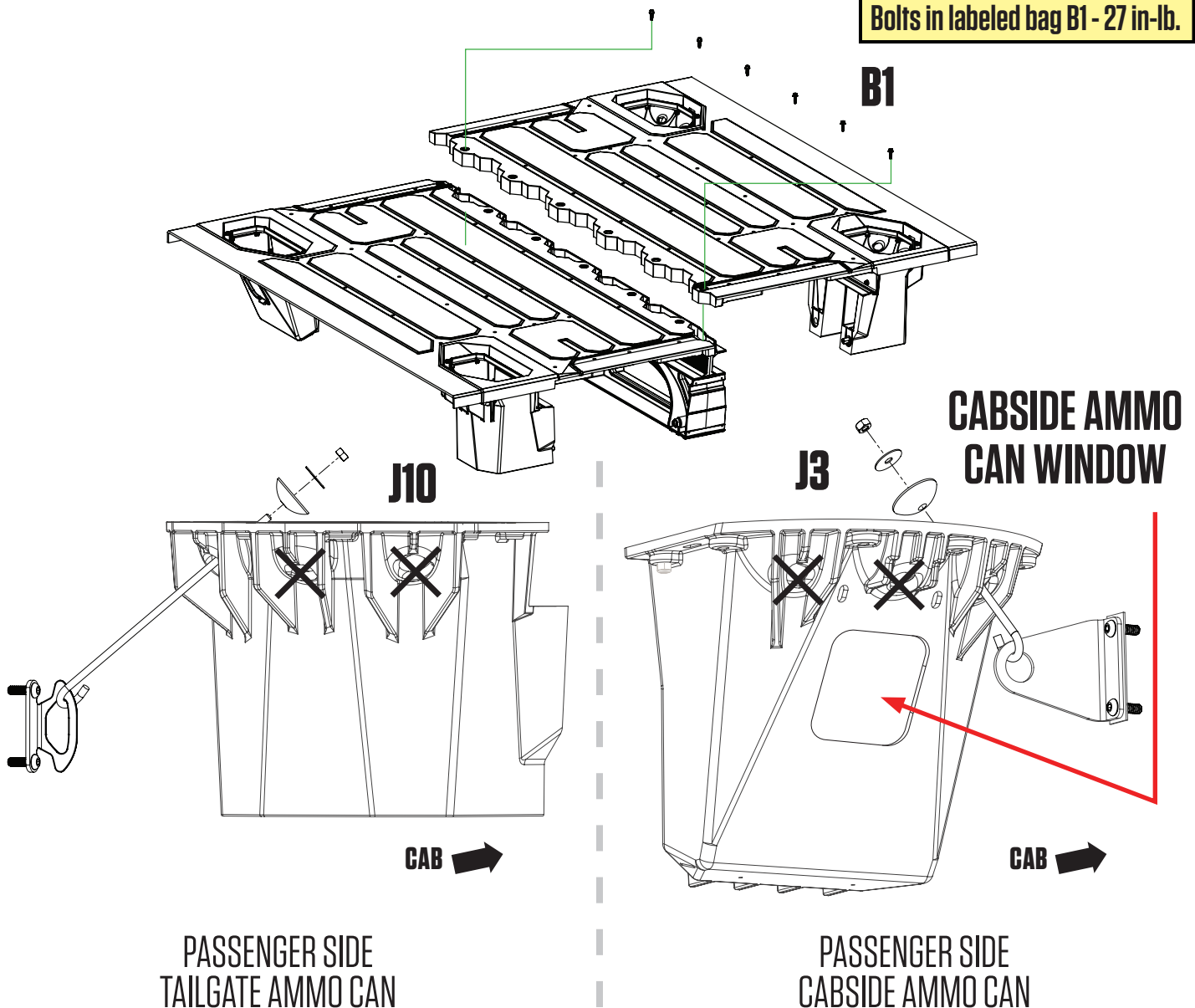


INSTALL: PASSENGER'S SIDE DECK HALF

(OK, FINE, PAT YOURSELF ON THE BACK)

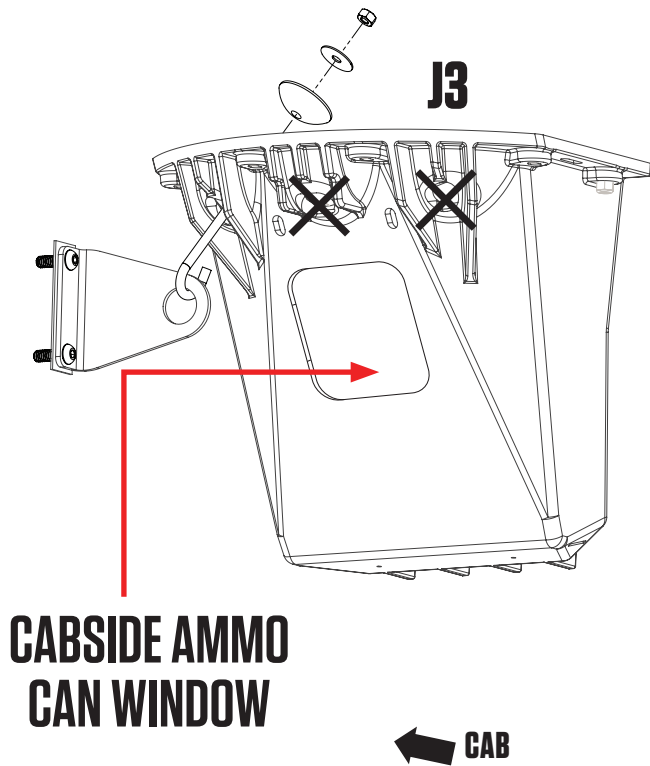
- Bolt the passenger side deck half to the center vert; **BAG B1** (no washers). Make sure all bolts connecting the deck to the center vert are snug, **but no power tools**.
- Insert the J-hook through the **tailgate** hole on the passenger side tailgate ammo can and loop J-hook through tie down or mounting bracket in bed. Assemble with black spherical washer, flat washer and nut; **BAG J10**. Don't tighten yet. If you do, you won't be able to center the system properly in your bed.
- Insert the J-hook through **cabside** hole on the passenger side cabside ammo can and loop J-hook through tie down or mounting bracket in bed. Assemble with black spherical washer, flat washer and nut; **BAG J3**. Don't tighten yet. **IMPORTANT: Leave all J-hook nuts loose..**

RECOMMENDED TORQUE:
Bolts in labeled bag B1 - 27 in-lb.



INSTALL: DRIVER'S SIDE DECK HALF

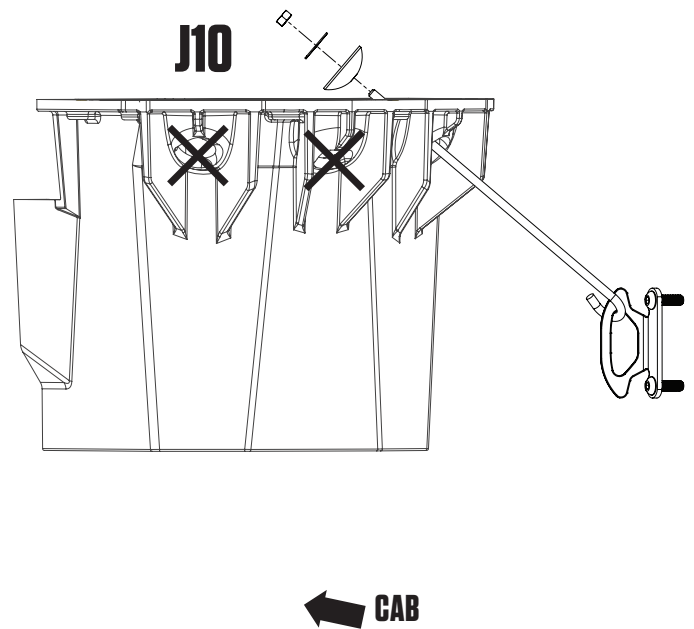
- Insert the J-hook through the **cabside** hole on the driver side cabside ammo can and loop J-hook through tie down or mounting bracket in bed. Assemble with black spherical washer, flat washer and nut; **BAG J3**. Don't tighten yet.
 - Insert the J-hook through the **tailgate** hole on the driver side tailgate ammo can and loop J-hook through tie down or mounting bracket in bed. Assemble with black spherical washer, flat washer and nut; **BAG J10**. Don't tighten yet.
- **IMPORTANT: Leave all J-hook nuts loose.**



**CABSIDE AMMO
CAN WINDOW**

← CAB

**DRIVER SIDE
CABSIDE AMMO CAN**



**DRIVER SIDE
TAILGATE AMMO CAN**

DRAWERS: BRACKETS + WHEELS

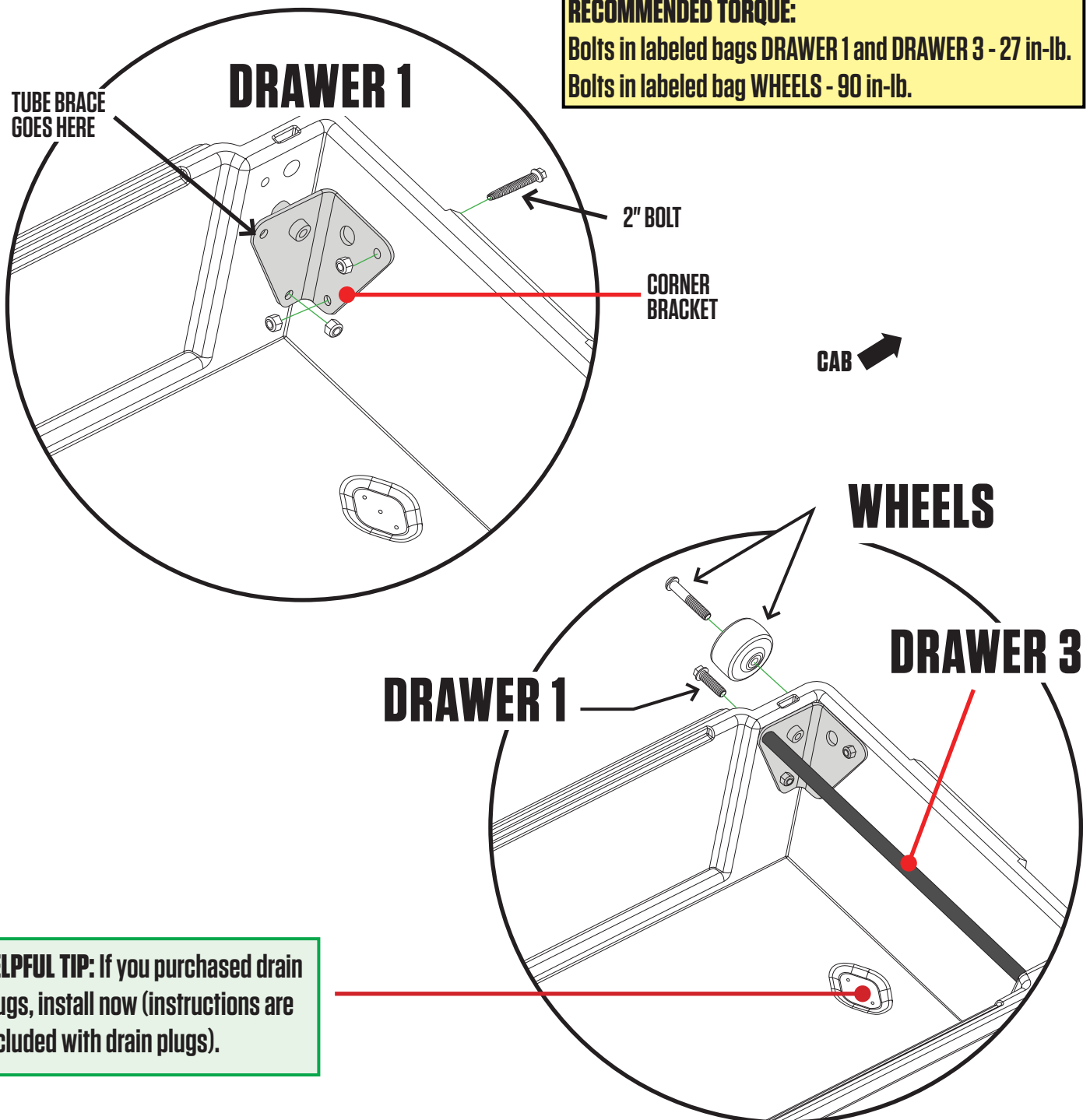
(SO EASY A CHIMPANZEE CAN DO IT)

- Each drawer has a left and a right bracket. Bolt the brackets into place via bottom two holes in bracket with 3/4" length bolts. Use the 2" length bolt for the upper cabside wall hole in bracket; **BAG DRAWER 1**.
- Install a tube brace in each drawer with two 3/4" length bolts; **BAG DRAWER 1, BAG DRAWER 3**.
- Attach wheels onto the drawer brackets with a 7/32" hex wrench; **BAG WHEELS**.

RECOMMENDED TORQUE:

Bolts in labeled bags **DRAWER 1** and **DRAWER 3** - 27 in-lb.

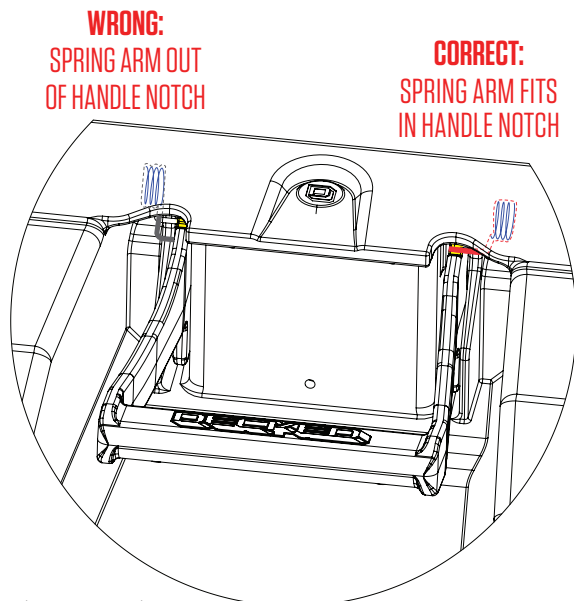
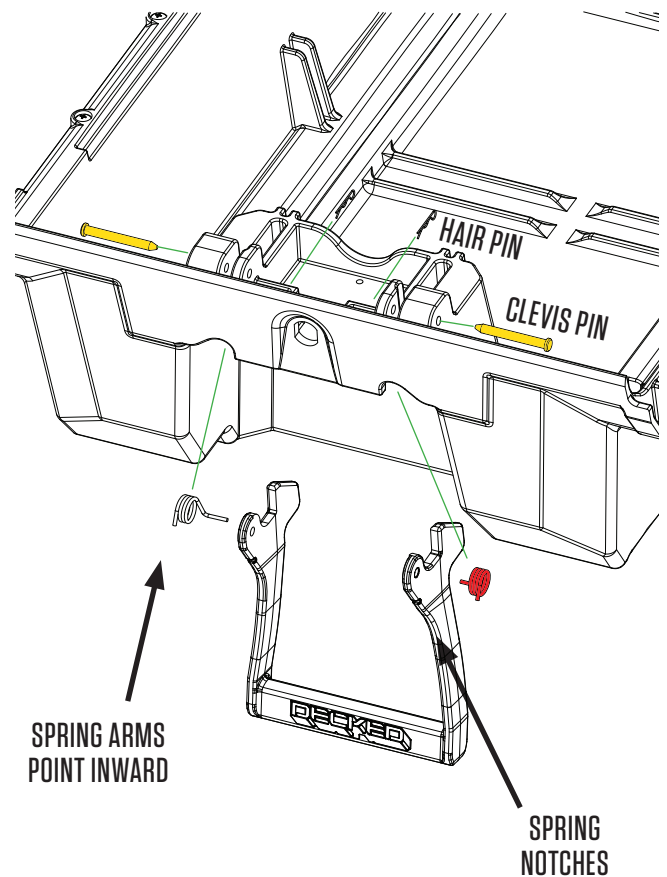
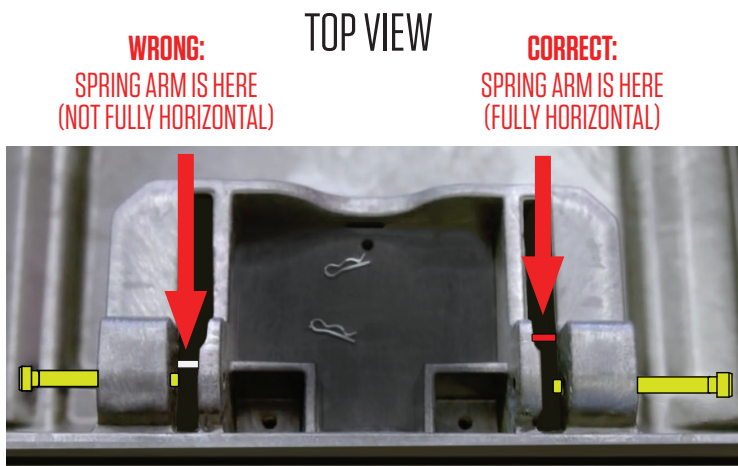
Bolts in labeled bag **WHEELS** - 90 in-lb.



INSTALL: DRAWER HANDLES

- One drawer handle assembly needs to be installed.
- Save yourself the headache, watch this short installation video: [DECKED.com/videohandle](https://www.decked.com/videohandle).
- From the **underside** of drawer, place the springs into the cavities on either side of the handle slots, red spring=right spring; **BAG HANDLE**. **NOTE: Each spring arm should point inward, not outward.**
- Install a clevis pin through each outside drawer hole and through spring; **BAG HANDLE**.
- With DECKED logo facing outward, insert the handle ends behind the spring arms. Rotate the arms of the handle toward the clevis pins, pulling the spring arm downward. When the handle hole is lined up with the clevis pin, push the pin through the handle hole and through the inside drawer hole. Repeat on the other side of the handle.
- Install a hair pin through the clevis pin; **BAG HANDLE**.

HANDLE OVERVIEW



HELPFUL TIP: MAKE SURE SPRINGS HAVE THE LONG ARM HORIZONTAL AND SHORT LEG VERTICAL BEFORE INSERTING HANDLE



INSTALL: DRAWERS

(HOPEFULLY YOU'RE STILL WEARING YOURS.)

- Save yourself the headache, watch this short installation video: [DECKED.com/video/tailgatewheels](https://www.decked.com/video/tailgatewheels).
- Install the drawer by sliding wheels into their two channels (C-channel and center vert), and slide drawer all the way forward until closed.
- Install the remaining tailgate side wheels onto their axles; **BAG WHEELS**.

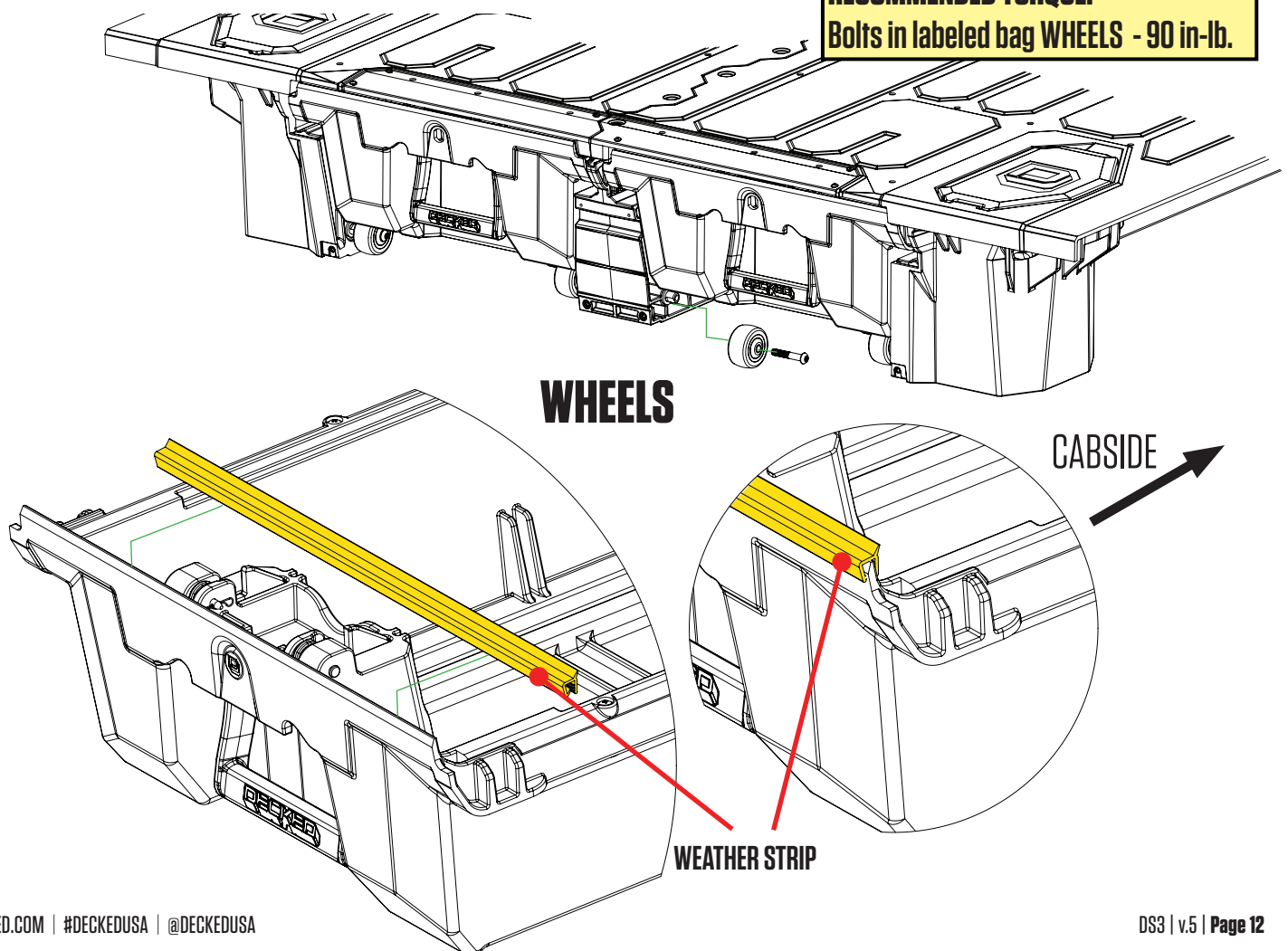
NOTE: Placing a spacer under the drawer to raise it into position makes this easier (ammo can lids work well, or a small piece of 2x2 or 2x4 is even better).

- Install the weather strips on the tailgate side drawer edge: With the weatherstrip wiper facing cabside, line up one end with the side of the drawer and place on the top drawer edge, firmly pressing down on the weatherstrip as you move along the drawer edge.

NOTE: Facing the weather stripping the wrong way will funnel water into drawer: BAD!

- When the weatherstrip is fully seated along the top edge, trim off any that extends beyond the drawer edge with wire cutters. Watch out for the stainless wire coil inside; it's sharp!

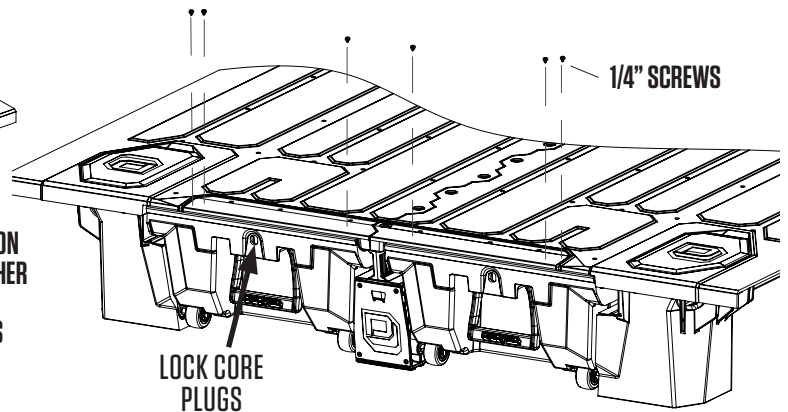
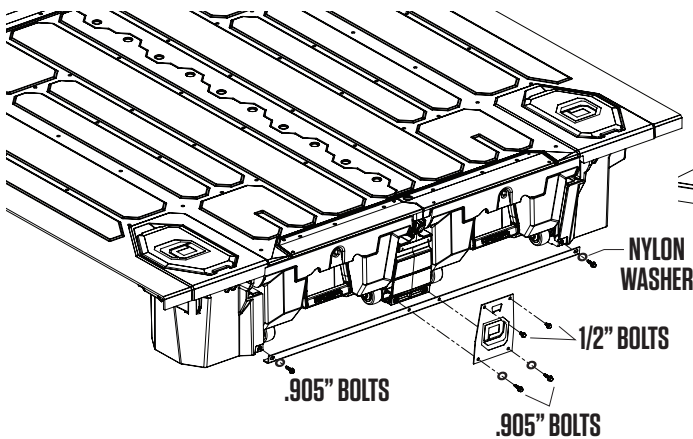
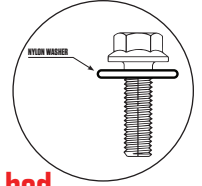
RECOMMENDED TORQUE:
Bolts in labeled bag **WHEELS** - 90 in-lb.



INSTALL: THE FUN STUFF

(PARTY TIME!)

- Use the bag of hardware; **PREP TBO**, that is either attached to the torsion brace or in the hardware box, for the following steps.
- Slide torsion brace under center vert and tailgate ammo cans. Place bottle opener on the outside of the torsion brace.
- Loosely install (start with your fingers to avoid cross-threading):
 - Two .905" bolts with nylon washers through the end holes in torsion brace into ammo cans.
 - Two .905" bolts with nylon washers through the bottom bottle opener holes and torsion brace into center vert.
 - Two 1/2" length bolts through upper holes in bottle opener into center vert.
- Align bottle opener to edges of center vert and tighten four bottle opener bolts.
- Tighten end bolts into tailgate ammo cans.
- **Finally, tighten the J-hooks. DO NOT OVER TIGHTEN. Make sure to center the vert in the center of your bed.**
- Install ruler by aligning the ruler holes with the inserts in the decks. Use your fingers to start the 1/4" screws to avoid cross-threading. Tighten just until snug with a 1/8" Allen wrench.
- Insert lock core plugs, or install locks if purchased.
- See, wasn't that worth it? Congratulate yourself on a job well-done! Now get out there and play hard!



IMPORTANT: Grab your favorite beverage, crack 'er open in the bottle opener and make a toast to your van. You did it. Immediately post a photo of your significant other, child or canine (in no order of significance - please someone show us your pet alligator) appreciating your accomplishment. Add hashtag #DECKEDUSA | @DECKEDUSA.

HELPFUL TIP: Bottle opener goes on the **outside** of the torsion brace.

#DECKEDUSA | @DECKEDUSA

RECOMMENDED TORQUE:

.905" Bolts - 27 in-lb. | J-hooks - 9 in-lb.
1/2" Bolts & 1/4" Ruler screw - 18 in-lb.

DECKED 3-YEAR LIMITED WARRANTY

(a.k.a. LEGAL MUMBO JUMBO)

DECKED LLC warrants to the original purchaser of this product that the product will be free from manufacturing defects in workmanship and materials for a period of three (3) years from the date of the original purchase. If within three (3) years from the original date of purchase this product fails due to defect in materials or workmanship, DECKED LLC will replace any defective part at its option.

The original purchaser must contact the DECKED LLC customer service team and provide a description of the defective part, including digital pictures if requested, with the original purchase documentation as validation of warranty coverage or have previously activated their warranty online.

This warranty DOES NOT cover or apply to:

- Damage to the product due to misuse, mishandling and abuse.
- Products not used in accordance with the manufacturer's instructions or recommendations.
- Product not assembled or installed according to manufacturer's instructions.
- Normal wear and tear.
- Undeclared damage to the system during shipping, acts of God. In addition, consequential damage and incidental damages (including lost time) such as damage to persons or property are not covered under this warranty.

REGISTER YOUR PRODUCT FOR ANY FUTURE WARRANTY NEEDS. [**DECKED.COM/REGISTER**](https://www.decked.com/register)

#DECKEDUSA | @DECKEDUSA