



GLOBAL INDUSTRIAL™

We can supply that.®

User's manual

Manual del usuario

Manuel de l'utilisateur

Customer Service
US: 1-800-645-2986

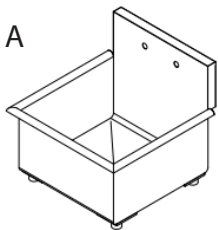
Servicio de atención al Cliente
US: 1-800-645-2986

Service à la clientèle
Canada: 888-645-2986

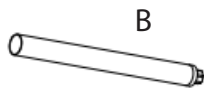
Global Industrial™ Stainless Steel Utility Sink with Faucet

Model: 252979

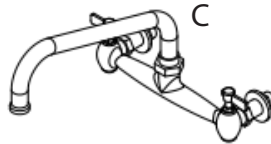
Parts List:



(1) Sink Basin



(4) Basin Standing
Legs



(1) Faucet



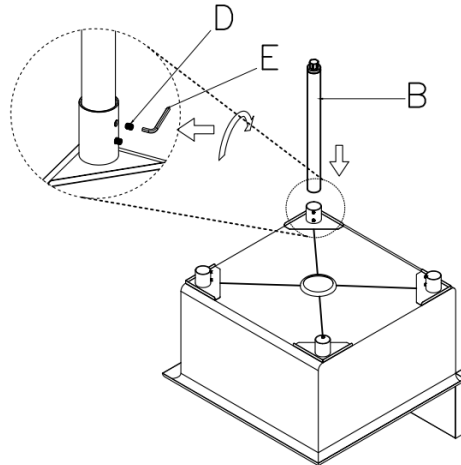
(8) Hex Fasteners



(1) Allen Wrench

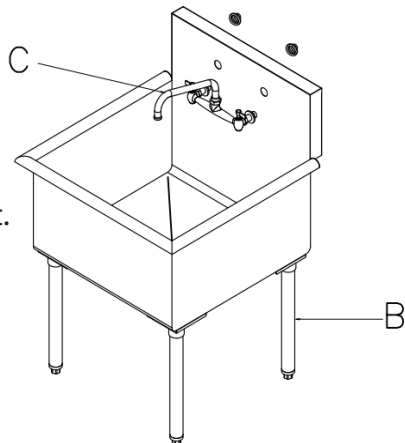
1.

Begin with basin upside-down. Remove Hex Fasteners if still in Basin. Insert the flat side of each of the legs into their holes at the bottom of the basin. Ensure feet are pointing up. Using the Allen Wrench, insert Hex Fasteners into the small holes perpendicular to the Legs. Hand-tighten firmly and ensure legs do not wobble.



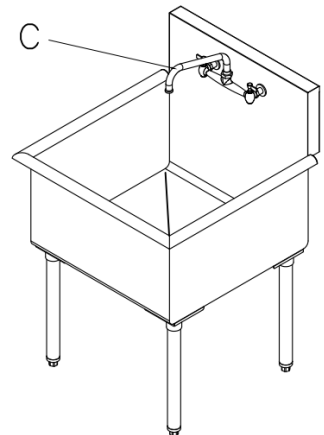
2.

Return basin to upright position. Remove fasteners on the back of the Faucet.



3.

Feed Faucet leads through holes in the back of the basin. On the backside of the basin, affix Faucet fasteners to Faucet leads, holding the Faucet in place.



WARNING:

Ensure all Hex Fasteners are tightened completely before standing basin upright.